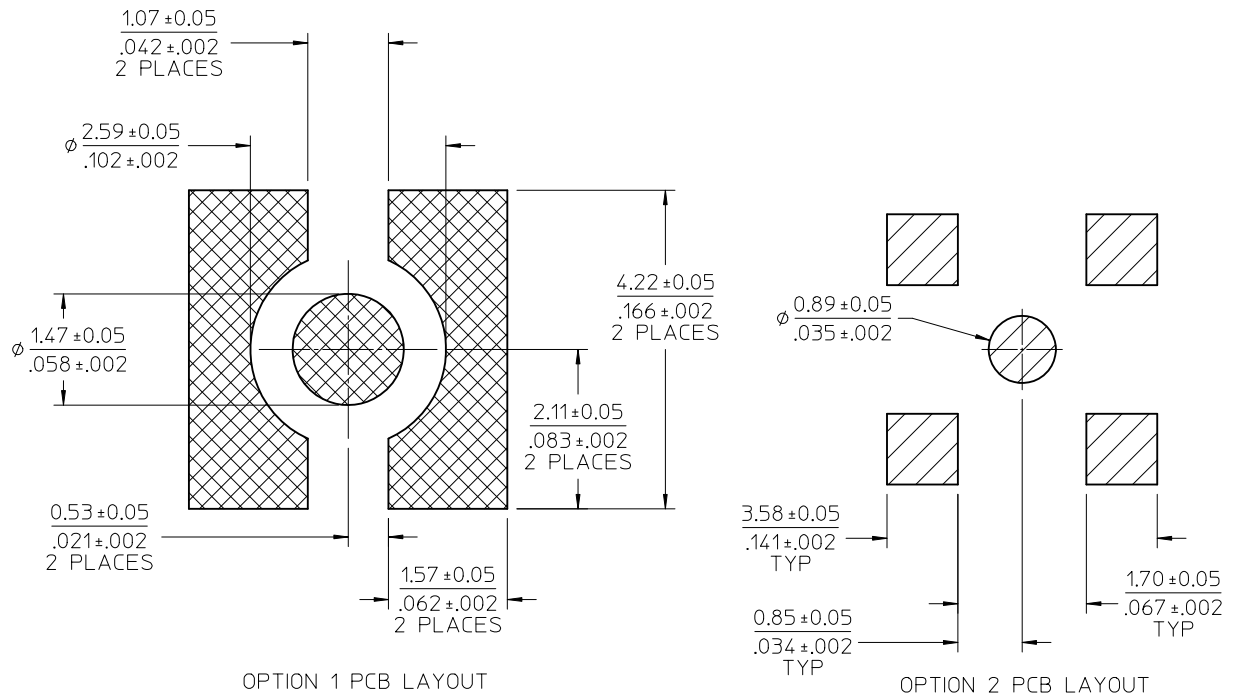
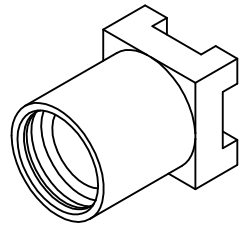
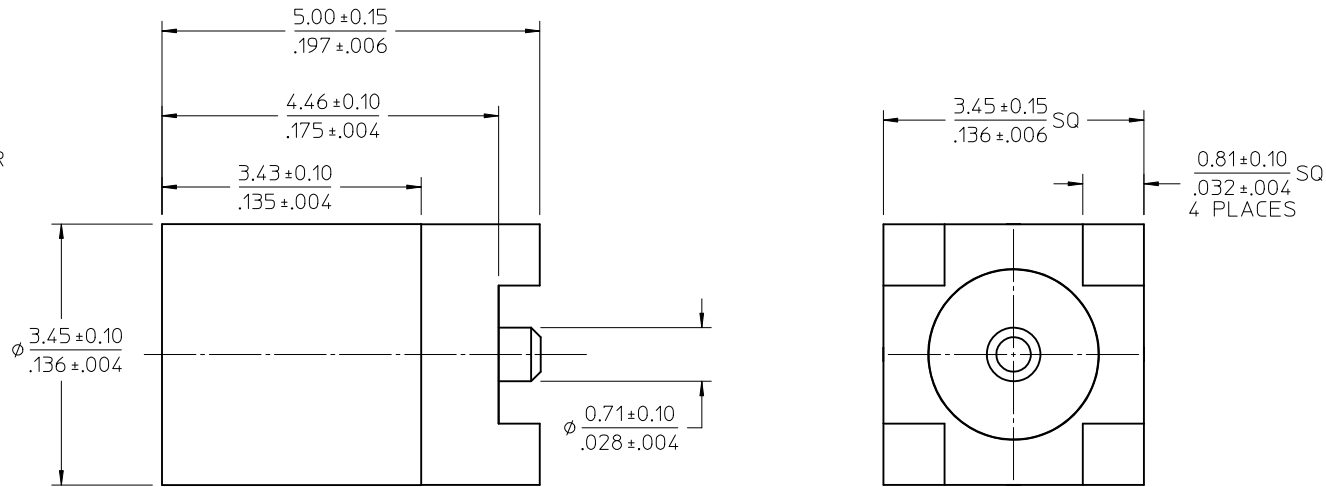


MATERIALS AND FINISHES

BODY BRASS  
PLATED GOLD

CENTER CONTACT BERYLLIUM COPPER  
PLATED GOLD

INSULATOR TEFLON



ES-73599-0000-0160	INTERFACE
PS-89675-1910	ELECTRO/MECH PERFORM.
SPECIFICATION	DESCRIPTION

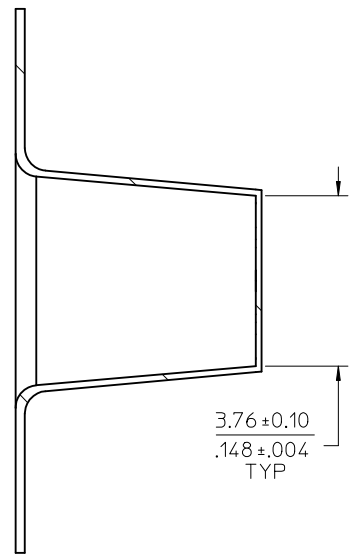
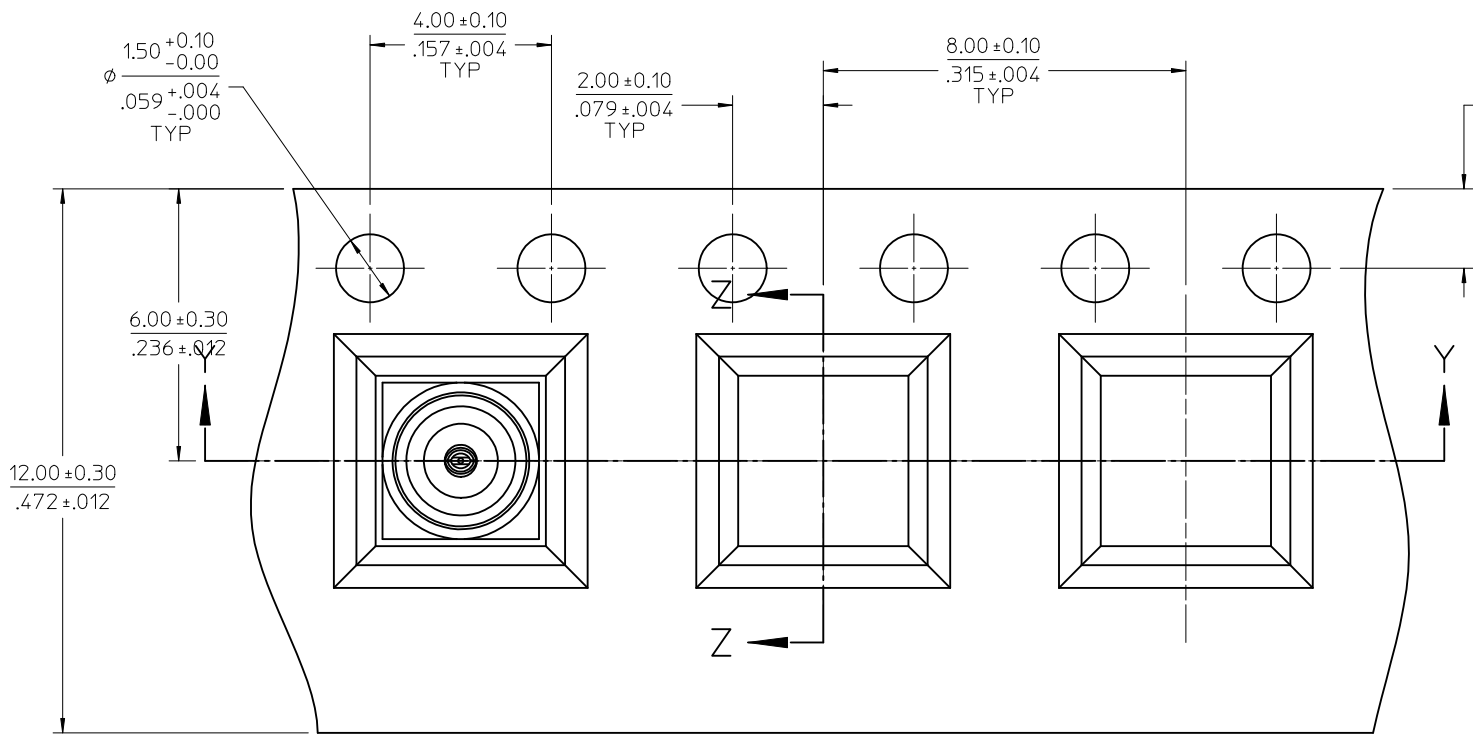
73415-2064	73415-2061, ONE PER BAG
73415-2063	73415-2061 WITH TAPE & REEL
73415-2062	73415-2060 WITH TAPE & REEL
73415-2061	PER COMMERCIAL REQUIREMENTS
73415-2060	PER MILITARY REQUIREMENTS
PART NO.	PLATING

CHG: ADDED 2ND PCB OPTION. EC NO: URF2011-0454 DRWN: YCHENG CHKD: APPR: M HUANG 2011/01/26 2011/02/11	QUALITY SYMBOLS	$\nabla=0$ $\nabla=0$
	DESCRIPTION	
	REV	
	A6	

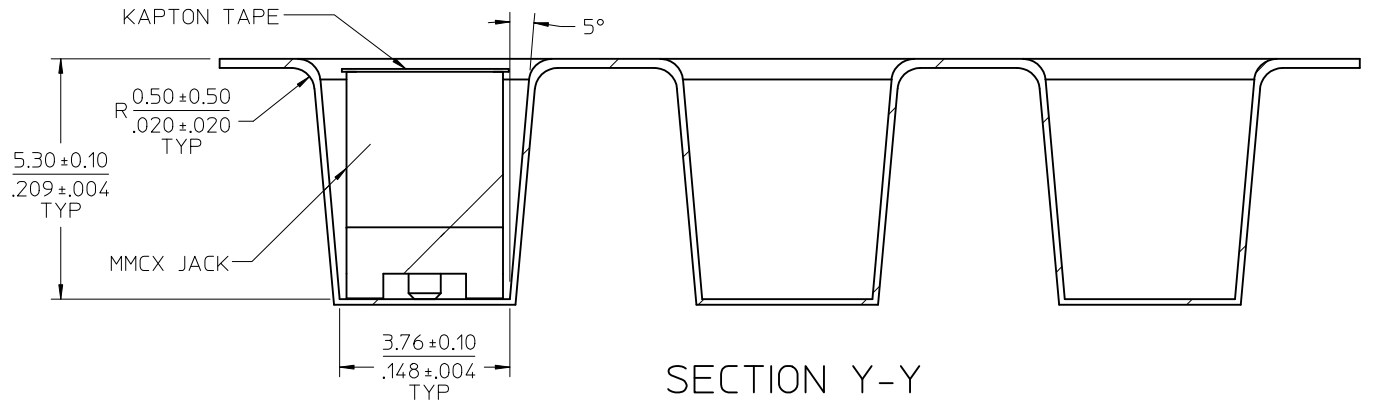
GENERAL TOLERANCES (UNLESS SPECIFIED)	<table border="1"> <tr> <th></th> <th>mm</th> <th>INCH</th> </tr> <tr> <td>4 PLACES</td> <td><math>\pm .15</math></td> <td><math>\pm .005</math></td> </tr> <tr> <td>3 PLACES</td> <td><math>\pm .10</math></td> <td><math>\pm .004</math></td> </tr> <tr> <td>2 PLACES</td> <td><math>\pm .075</math></td> <td><math>\pm .003</math></td> </tr> <tr> <td>1 PLACE</td> <td><math>\pm .05</math></td> <td><math>\pm .002</math></td> </tr> </table>		mm	INCH	4 PLACES	$\pm .15$	$\pm .005$	3 PLACES	$\pm .10$	$\pm .004$	2 PLACES	$\pm .075$	$\pm .003$	1 PLACE	$\pm .05$	$\pm .002$
	mm	INCH														
4 PLACES	$\pm .15$	$\pm .005$														
3 PLACES	$\pm .10$	$\pm .004$														
2 PLACES	$\pm .075$	$\pm .003$														
1 PLACE	$\pm .05$	$\pm .002$														
ANGULAR	$\pm 2^\circ$															
DRAFT WHERE APPLICABLE	MUST REMAIN WITHIN DIMENSIONS															

DIMENSION STYLE	MM/IN
DRAWN BY	TEF
DATE	2000/04/18
CHECKED BY	SSS
DATE	2000/04/18
APPROVED BY	GMH
DATE	2000/04/18
MATERIAL NO.	SEE TABLE
SIZE	C

SCALE	DESIGN UNITS	THIRD ANGLE PROJECTION
	METRIC	
TITLE		
MMCX JACK, VERTICAL PCB/SMT 50 OHMS MMCX-J/PCB		
MOLEX INCORPORATED		
DOCUMENT NO.	SD-73415-206	SHEET NO.
		1 OF 3
THIS DRAWING CONTAINS INFORMATION THAT IS PROPRIETARY TO MOLEX INCORPORATED AND SHOULD NOT BE USED WITHOUT WRITTEN PERMISSION		

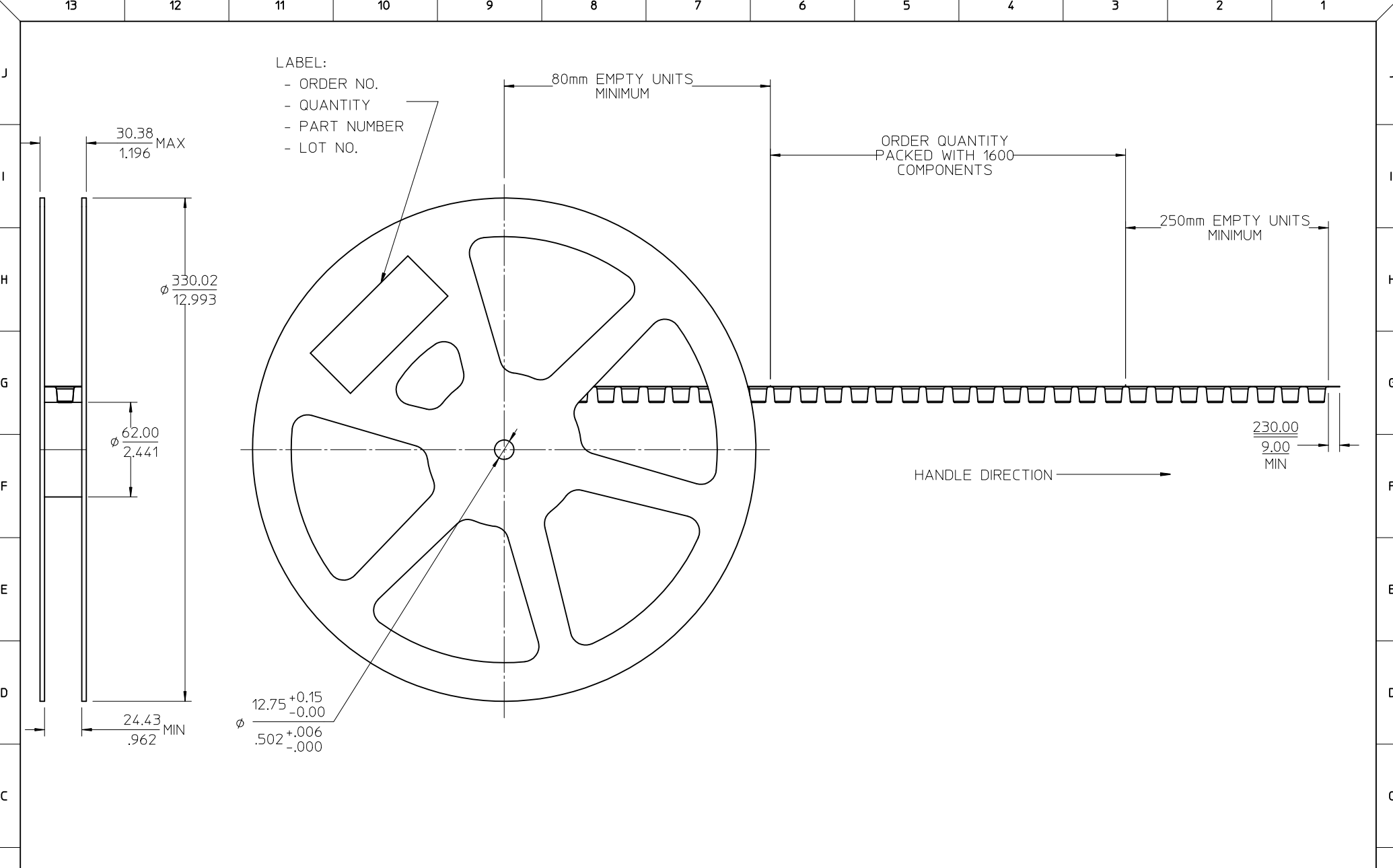


SECTION Z-Z



SECTION Y-Y

CHG: SEE SHEET 1 EC NO: URF2011-0454 DRWN: YCHENG 2011/01/26 CHKD: APPR: MHIANG 2011/02/11	QUALITY SYMBOLS ▽=0 ▽=0	GENERAL TOLERANCES (UNLESS SPECIFIED)		DIMENSION STYLE <b>MM/IN</b>	SCALE <b>METRIC</b>	THIRD ANGLE PROJECTION	
		4 PLACES ± --- ± --- 3 PLACES ± --- ± --- 2 PLACES ± --- ± --- 1 PLACE ± --- ± ---	mm INCH	DRAWN BY TEF	DATE 2000/04/18		TITLE <b>MMCX JACK, VERTICAL          PCB/SMT 50 OHMS          MMCX-J/PCB</b>
		ANGULAR ± 2 °		CHECKED BY SSS	DATE 2000/04/18		MOLEX INCORPORATED
		DRAFT WHERE APPLICABLE MUST REMAIN WITHIN DIMENSIONS		APPROVED BY GMH	DATE 2000/04/18		DOCUMENT NO. <b>SD-73415-206</b>
A6	REV	MATERIAL NO. <b>SEE SHEET 1</b>		SHEET NO. <b>2 OF 3</b>	THIS DRAWING CONTAINS INFORMATION THAT IS PROPRIETARY TO MOLEX INCORPORATED AND SHOULD NOT BE USED WITHOUT WRITTEN PERMISSION		



CHG: SEE SHEET 1	DESCRIPTION
EC NO: URF2011-0454	2011/01/26
DRWN: YCHENG	
CHKD:	
APPR: MHUANG	2011/02/11
REV	
A6	

QUALITY SYMBOLS	GENERAL TOLERANCES (UNLESS SPECIFIED)
▽=0	
▽=0	
	ANGULAR ± 2°
	DRAFT WHERE APPLICABLE MUST REMAIN WITHIN DIMENSIONS

DIMENSION STYLE	
MM/IN	
DRAWN BY	DATE
TEF	2000/04/18
CHECKED BY	DATE
SSS	2000/04/18
APPROVED BY	DATE
GMH	2000/04/18
MATERIAL NO.	
SEE SHEET 1	

SCALE	DESIGN UNITS	THIRD ANGLE PROJECTION
	METRIC	
TITLE		
MMCX JACK, VERTICAL PCB/SMT 50 OHMS MMCX-J/PCB		
MOLEX INCORPORATED		SHEET NO.
SD-73415-206		3 OF 3
THIS DRAWING CONTAINS INFORMATION THAT IS PROPRIETARY TO MOLEX INCORPORATED AND SHOULD NOT BE USED WITHOUT WRITTEN PERMISSION		