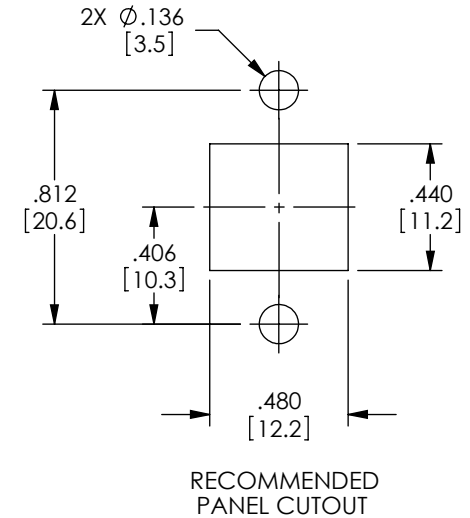
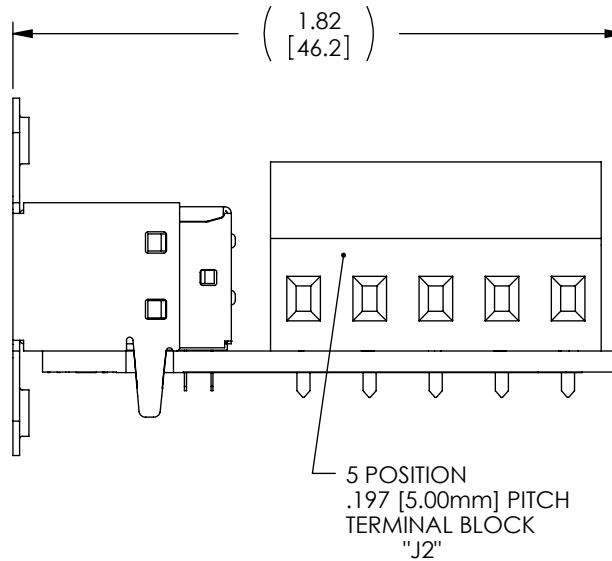
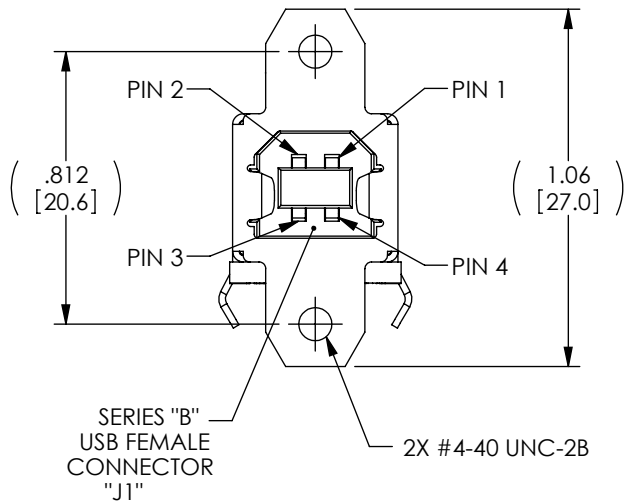
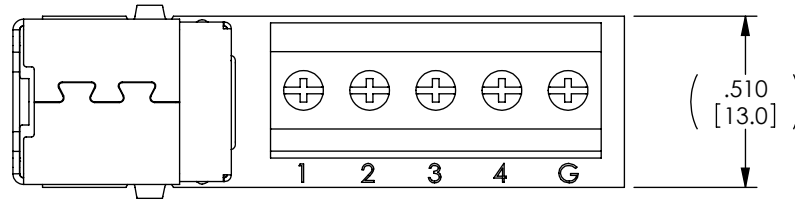


THE INFORMATION CONTAINED IN THIS DRAWING IS THE SOLE PROPERTY OF L-COM, INC. ANY REPRODUCTION IN PART OR WHOLE WITHOUT THE WRITTEN PERMISSION OF L-COM, INC. IS PROHIBITED.

REVISIONS			
REV	DESCRIPTION	DATE	APPROVED
A	INITIAL RELEASE	6/16/10	D.GRIFFIN

WIRE MAP		
"J1"	"J2"	SIGNAL
1	1	CABLE POWER
2	2	DATA -
3	3	DATA +
4	4	CABLE GND
GND	GND	CONNECTOR SHELL



NOTES:

1. INCLUDE MOUNTING HARDWARE (2) #4-40 UNC-2A X .37 [9.5mm] LONG PHILLIPS PAN HD SCREWS.
2. ASSEMBLY SHALL BE TESTED FOR CONTINUITY.
3. ASSEMBLY SHALL BE INDIVIDUALLY PACKAGED IN ACCORDANCE WITH L-COM PACKAGING SPEC. PS-0031.

RoHS Compliant ✓

UNLESS OTHERWISE SPECIFIED, DIMENSIONS ARE IN INCHES [mm] OVERALL CABLE LENGTH TOLERANCE: ≤12 [305] = +1 [25] / -0 >12 [305] ≤60 [1524] = +2 [51] / -0 >60 [1524] ≤120 [3048] = +4 [102] / -0 >120 [3048] ≤300 [7620] = +6 [152] / -0 >300 [7620] = +3% / -0%	APPROVALS	DATE	L-com Global Connectivity 45 BEECHWOOD DRIVE NORTH ANDOVER, MA 01845
	DRAWN BY D. CASTRO	6/16/10	
ALL OTHER DIMENSIONAL TOLERANCES: .X = ±.2 .XX = ±.02 .XXX = ±.005	CHECKED BY D. PARHAM	6/16/10	CATEGORY USB
	APPROVED BY S. SMITH	6/16/10	PRODUCT DESCRIPTION CONN USB B FEM FIELD TERM
PROJECTION 	CONFIGURATION DETAILS OF UNDIMENSIONED FEATURES MAY VARY	COLOR VARIATIONS MAY OCCUR	SIZE A FSCM NO. 43321 DWG. NO. USBBFT REV. A
SCALE: NONE		CAD FILE: USBBFT.SLDDRW	SHEET 1 OF 1