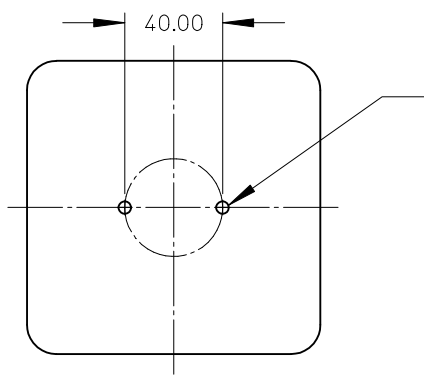
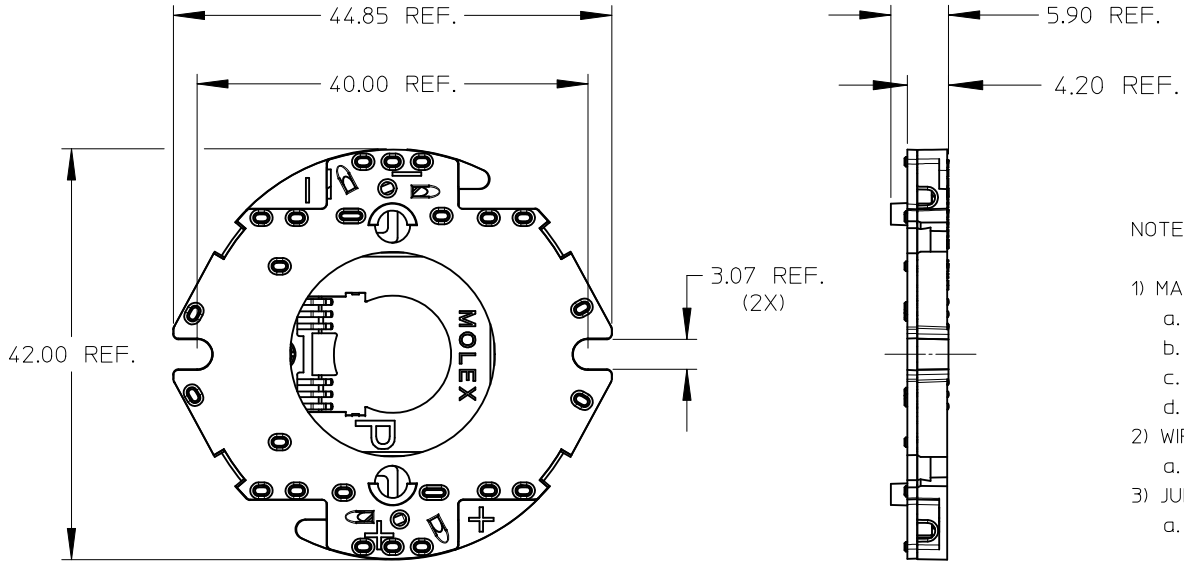
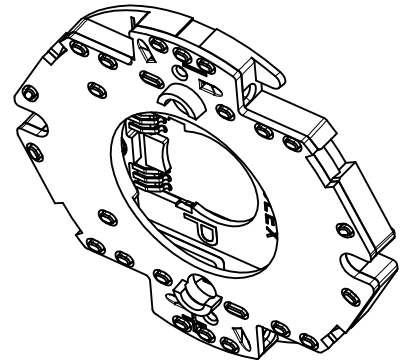


PART NUMBER	DESCRIPTION	SHEET
180160-000	HOLDER WITHOUT LENS - WIRED IN PARALLEL	2
180160-0001	HOLDER WITH SNAP-ON LENS - WIRED IN PARALLEL	2
180160-0002	HOLDER WITHOUT LENS - WIRED IN SERIES	3
180160-0003	HOLDER WITH SNAP-ON LENS - WIRED IN SERIES	3
N/A	REFLECTOR OPTION	4



M3 TAPPED HOLES (2)  
TORQUE SCREWS 0.8 NEWTON METERS MAX.

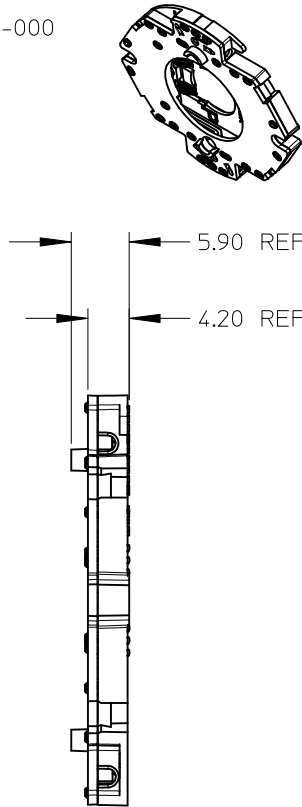
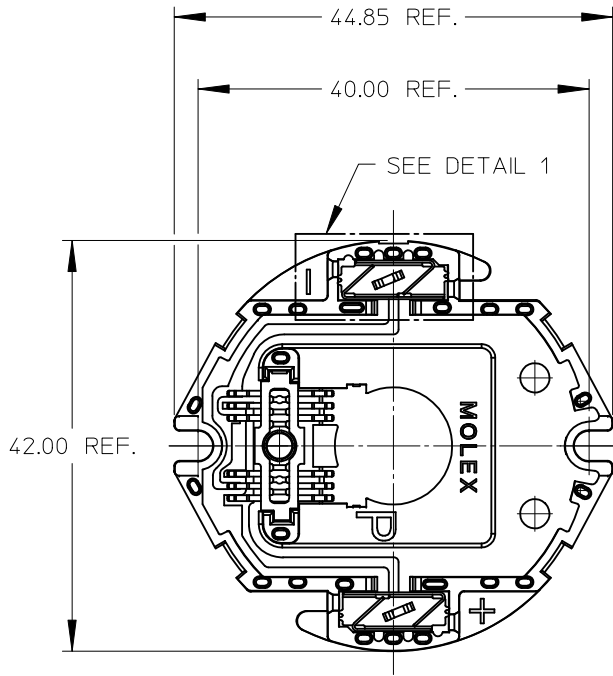
NOTES:

- 1) MATERIALS:
  - a. HOUSING: BLACK COLOR LCP 40% MINERAL FILLED UL94V-0
  - b. COVER: BLACK COLOR PA66 NYLON 25% GF UL94V-0
  - c. SNAP ON LENS/COVER: CLEAR PC POLYCARBONATE UF UL94HB
  - d. JUMPER: NATURAL COLOR PBT POLYESTER 30% GF UL94V-0
- 2) WIRE TRAP TERMINALS: COPPER ALLOY
  - a. FINISH: 2.50 MICRONS (100μ in.) OF TIN OVER 1.25 MICRONS (50μ in.) OF NICKEL
- 3) JUMPER TERMINALS: PHOSPHOR BRONZE
  - a. FINISH 0.25-0.50 MICRONS (10-20μ in.) SELECTIVE HARD GOLD IN CONTACT AREA  
1.25-2.50 MICRONS (50-100μ in.) NICKEL ALL OVER
- 4) THIS PRODUCT IS ELV AND ROHS COMPLIANT
- 5) APPLICABLE WIRE GAUGE - 18 OR 20 AWG
  - a. SOLID WIRE IS RECOMMENDED
  - b. IF STRANDED WIRE IS USED, PRE-TINNED IS RECOMMENDED
  - c. 1 cm STRIP LENGTH IS RECOMMENDED.
- 6) MOUNT HOLDER USING M3 OR 4-40 SCREWS (2), 0.8 NEWTON METERS MAX TORQUE

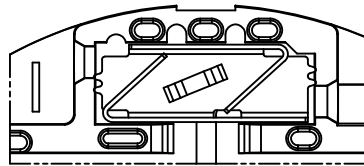
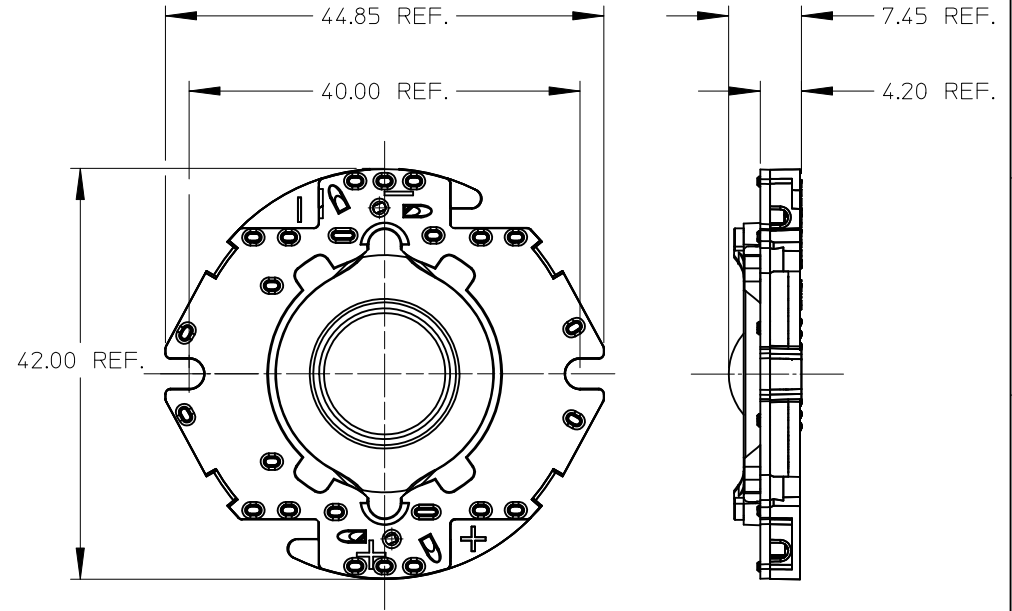
RECOMMENDED MOUNTING DIMENSIONS

ENTER DESCRIPTION EC NO: SSL2011-0079 DRAWN: CCARRANZA 2011/04/19 CHKD: APPR: DMCGOWAN 2011/05/01 REV B	DESCRIPTION QUALITY SYMBOLS ▽/0 ▽/0 ▽/0	GENERAL TOLERANCES (UNLESS SPECIFIED)		DIMENSION STYLE MM ONLY		SCALE 2:1	DESIGN UNITS METRIC	THIRD ANGLE PROJECTION		
		mm		INCH		DRAWN BY CCARRANZA	DATE 2010/10/07	CREE MP-L EASY WHITE LED HOLDER		
		4 PLACES ± ---		± ---		CHECKED BY	DATE			
		3 PLACES ± ---		± ---		APPROVED BY DMCGOWAN		DATE 2010/11/23	MOLLEX MOLEX INCORPORATED	
2 PLACES ± 0.13		± ---		MATERIAL NO.		DOCUMENT NO. SD-180160-000	SHEET NO. 1 OF 4			
1 PLACE ± 0.25		± ---		DRAFT WHERE APPLICABLE MUST REMAIN WITHIN DIMENSIONS		SEE CHART		THIS DRAWING CONTAINS INFORMATION THAT IS PROPRIETARY TO MOLEX INCORPORATED AND SHOULD NOT BE USED WITHOUT WRITTEN PERMISSION		
ANGULAR ± 1/2°				SIZE B						

LED HOLDER WIRED IN PARALLEL PART NUMBER 180160-000  
(COVER REMOVED FROM FRONT VIEW FOR CLARITY)



LED HOLDER WITH OPTIONAL CLEAR SNAP-ON LENS  
WIRED IN PARALLEL PART NUMBER 180160-0001

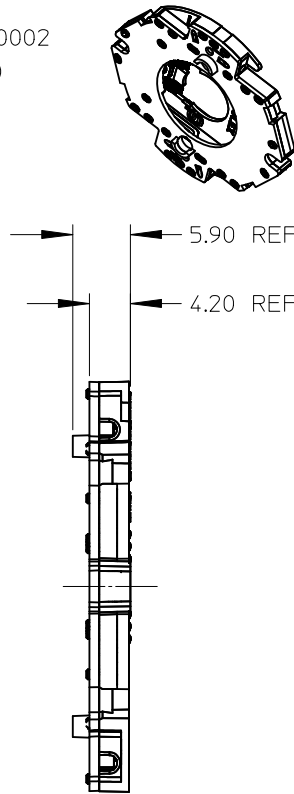
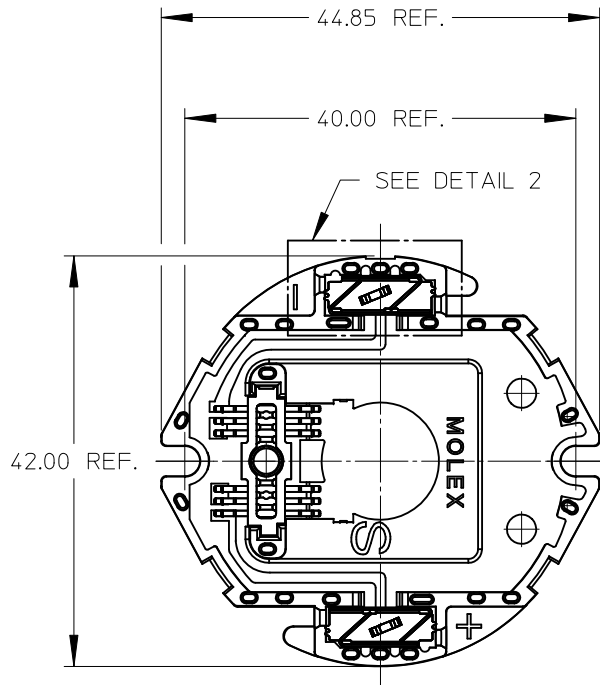


VIEW OF TWO-WAY WIRE TRAP  
WIRE TRAPS WILL ACCOMODATE  
EITHER 18 OR 20 GAUGE WIRE

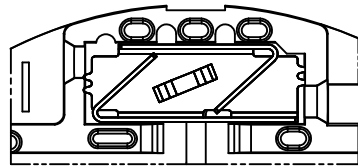
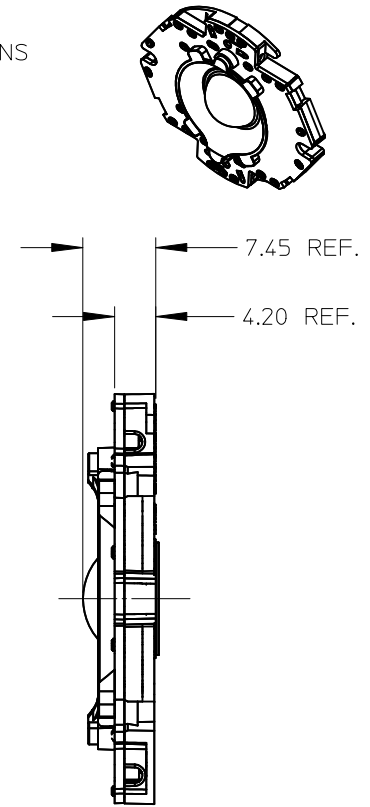
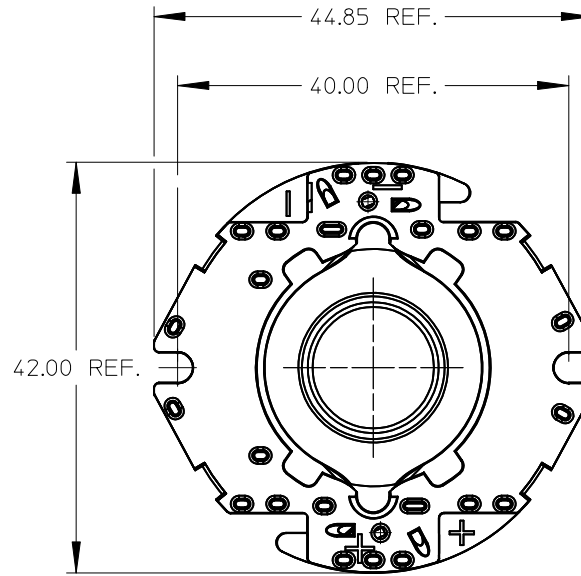
DETAIL 1 SCALE 4:1

<b>ENTER DESCRIPTION</b> EC NO: SSL2011-0079 /DRAWN:CCARRANZA 2011/04/19 CHKD: APPR:DMCGOWAN 2011/05/01 <b>B</b>	<b>QUALITY SYMBOLS</b> $\nabla F=0$ $\nabla F=0$ $\nabla F=0$	<b>GENERAL TOLERANCES (UNLESS SPECIFIED)</b>		<b>DIMENSION STYLE</b> <b>MM ONLY</b>		<b>SCALE</b> 2:1	<b>DESIGN UNITS</b> METRIC	<b>THIRD ANGLE PROJECTION</b>		
		4 PLACES	± ---	± ---	DRAWN BY	DATE	<b>TITLE</b> CREE MP-L EASY WHITE LED HOLDER			
		3 PLACES	± ---	± ---	CCARRANZA	2010/10/07				
		2 PLACES	± 0.13	± ---	CHECKED BY	DATE	<b>MOLEX INCORPORATED</b>			
1 PLACE	± 0.25	± ---	APPROVED BY	DATE						
ANGULAR ±1/2°		DRAFT WHERE APPLICABLE MUST REMAIN WITHIN DIMENSIONS		MATERIAL NO.		DOCUMENT NO.		SHEET NO.		
				<b>SEE CHART</b>		SD-180160-000		2 OF 4		
THIS DRAWING CONTAINS INFORMATION THAT IS PROPRIETARY TO MOLEX INCORPORATED AND SHOULD NOT BE USED WITHOUT WRITTEN PERMISSION										

LED HOLDER WIRED IN SERIES PART NUMBER 180160-0002  
(COVER REMOVED FROM FRONT VIEW FOR CLARITY)



LED HOLDER WITH OPTIONAL CLEAR COVER LENS  
WIRED IN SERIES PART NUMBER 180160-0003



VIEW OF TWO-WAY WIRE TRAP  
WIRE TRAPS WILL ACCOMODATE  
EITHER 18 OR 20 GAUGE WIRE

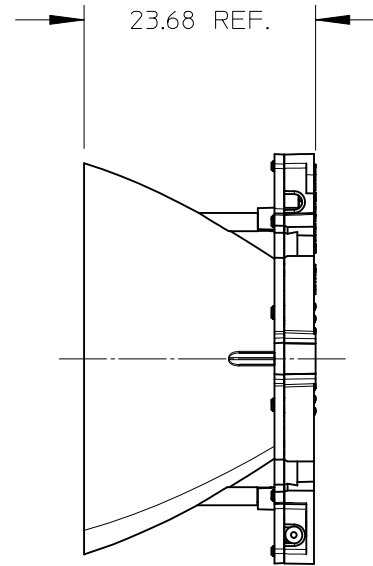
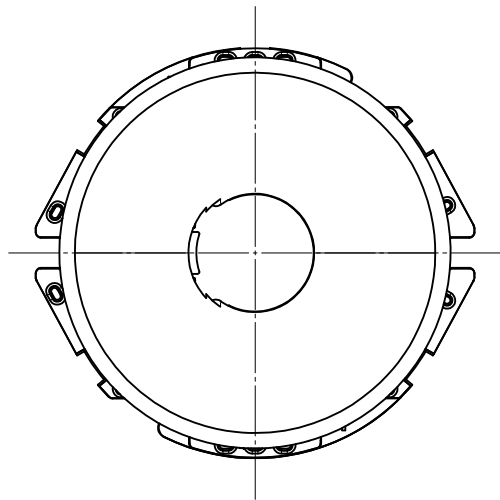
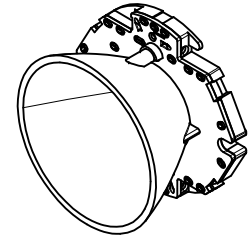
DETAIL 2 SCALE 4:1

<b>ENTER DESCRIPTION</b> EC NO: SSL2011-0079 /DRAWN: CCARRANZA 2011/04/19 CHKD: APPR: DMCGOWAN 2011/05/01 REV B	<b>QUALITY SYMBOLS</b> $\nabla = 0$ $\nabla = 0$ $\nabla = 0$	<b>GENERAL TOLERANCES (UNLESS SPECIFIED)</b> <table border="1"> <thead> <tr> <th></th> <th>mm</th> <th>INCH</th> </tr> </thead> <tbody> <tr> <td>4 PLACES</td> <td>± ---</td> <td>± ---</td> </tr> <tr> <td>3 PLACES</td> <td>± ---</td> <td>± ---</td> </tr> <tr> <td>2 PLACES</td> <td>± 0.13</td> <td>± ---</td> </tr> <tr> <td>1 PLACE</td> <td>± 0.25</td> <td>± ---</td> </tr> </tbody> </table>		mm	INCH	4 PLACES	± ---	± ---	3 PLACES	± ---	± ---	2 PLACES	± 0.13	± ---	1 PLACE	± 0.25	± ---	<b>DIMENSION STYLE</b> <b>MM ONLY</b> DRAWN BY: CCARRANZA DATE: 2010/10/07 CHECKED BY: DATE: APPROVED BY: DMCGOWAN DATE: 2010/11/23 MATERIAL NO.	<b>SCALE</b> 2:1 <b>DESIGN UNITS</b> METRIC <b>THIRD ANGLE PROJECTION</b>	<b>TITLE</b> CREE MP-L EASY WHITE LED HOLDER
		mm	INCH																	
	4 PLACES	± ---	± ---																	
	3 PLACES	± ---	± ---																	
2 PLACES	± 0.13	± ---																		
1 PLACE	± 0.25	± ---																		
<b>DRAFT WHERE APPLICABLE MUST REMAIN WITHIN DIMENSIONS</b>		<b>SEE CHART</b>	<b>MOLEX INCORPORATED</b> DOCUMENT NO. SD-180160-000	<b>SHEET NO.</b> 3 OF 4																
THIS DRAWING CONTAINS INFORMATION THAT IS PROPRIETARY TO MOLEX INCORPORATED AND SHOULD NOT BE USED WITHOUT WRITTEN PERMISSION																				

10 9 8 7 6 5 4 3 2 1

SHOWN WITH OPTIONAL LEDIL REFLECTOR AND  
MOLEX CLEAR COVER (P/N 180162-0002)

LEDIL REFLECTOR SOLD SEPARATELY @ [www.ledil.com](http://www.ledil.com)



<b>ENTER DESCRIPTION</b> EC NO: SSL2011-0079 DRAWN: CCARRANZA 2011/04/19 CHKD: APPR: DMCGOWAN 2011/05/01 REV B	QUALITY SYMBOLS ▽/0 ▽/0 ▽/0	GENERAL TOLERANCES (UNLESS SPECIFIED) <table border="1"> <thead> <tr> <th></th> <th>mm</th> <th>INCH</th> </tr> </thead> <tbody> <tr> <td>4 PLACES</td> <td>±---</td> <td>±---</td> </tr> <tr> <td>3 PLACES</td> <td>±---</td> <td>±---</td> </tr> <tr> <td>2 PLACES</td> <td>±0.13</td> <td>±---</td> </tr> <tr> <td>1 PLACE</td> <td>±0.25</td> <td>±---</td> </tr> </tbody> </table> ANGULAR ±1/2°		mm	INCH	4 PLACES	±---	±---	3 PLACES	±---	±---	2 PLACES	±0.13	±---	1 PLACE	±0.25	±---	DIMENSION STYLE <b>MM ONLY</b> DRAWN BY: CCARRANZA DATE: 2010/10/07 CHECKED BY: DATE: APPROVED BY: DMCGOWAN DATE: 2010/11/23 MATERIAL NO.	SCALE <b>1:1</b> DESIGN UNITS <b>METRIC</b> THIRD ANGLE PROJECTION	TITLE <b>CREE MP-L EASY WHITE LED HOLDER</b> Molex <b>MOLEX INCORPORATED</b> DOCUMENT NO. <b>SD-180160-000</b> SHEET NO. <b>4 OF 4</b>
		mm	INCH																	
	4 PLACES	±---	±---																	
	3 PLACES	±---	±---																	
2 PLACES	±0.13	±---																		
1 PLACE	±0.25	±---																		
DRAFT WHERE APPLICABLE MUST REMAIN WITHIN DIMENSIONS		SEE CHART	THIS DRAWING CONTAINS INFORMATION THAT IS PROPRIETARY TO MOLEX INCORPORATED AND SHOULD NOT BE USED WITHOUT WRITTEN PERMISSION																	

9 8 7 6 5 4 3 2 1