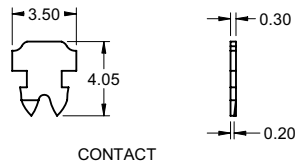
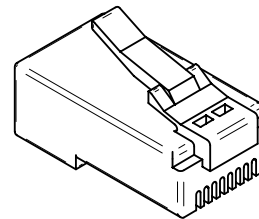
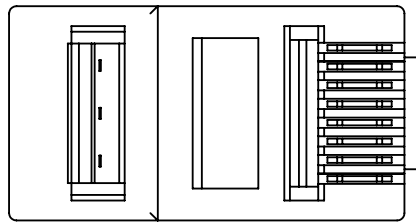
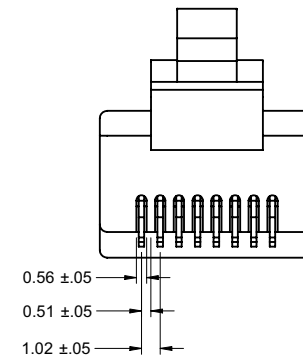
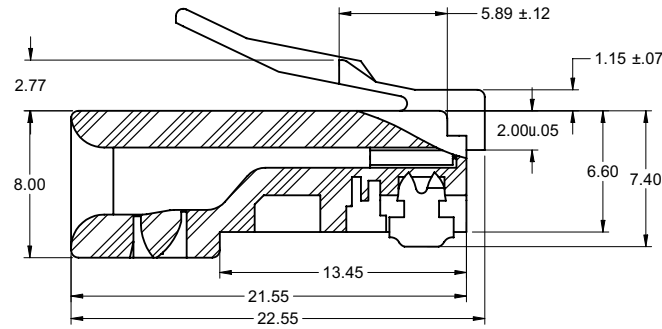
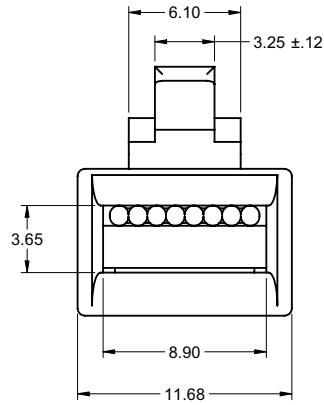
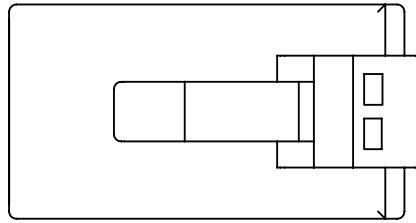


受控 CONTROLLED DOCUMENT					
编号 P/N	32- 5958UL	版本 Rev	0B	日期 Rel'd Date	Mar 24,08

DRAWING NO. 32-5958UL	
REVISIONS	
A	RELEASE FOR QUOTATION 08-31-05
B	ADDED: NOTE 4 & 5, CONTACT 10-26-05



NOTES:

1. ELECTRICAL SPECIFICATIONS

INSULATION RESISTANCE: 1000 MEGOHMS
WITHSTAND VOLTAGE: 1000V,AC/ MINUTE

2. MECHANICAL SPECIFICATIONS

CONTACT MATERIAL: PHOSPHOR BRONZE 0.3MM THICKNESS
CONTACT PLATING: 50 MICRO-INCH GOLD PLATE OVER 100 MICRO-INCH NICKEL PLATING
HOUSING MATERIAL: POLYCARBONATE
DURABILITY: 1000 CYCLES MIN
UL FLAMABLY RATING: 94-V0

3. ENVIRONMENTAL SPECIFICATIONS

TEMPERATURE RANGE: -40 °C TO +70°C

4. FOR FLAT OVAL OR ROUND CABLE

5. FOR SOLID OR STRANDED WIRE APPLICATIONS

THIS DRAWING TO BE INTERPRETED PER ANSI Y 14.5M - 1994

COMPANY CONFIDENTIAL

TOLERANCE UNLESS OTHERWISE SPECIFIED		DRAWN BY BETTY.YU	DATE 10-26-05
DECIMALS	mm	CHECKED BY IVON.W	DATE 10-26-05
X	± 0.5	APPROVED BY THOMAS	DATE 10-26-05
X.X	+ 0.15	U/M	mm
X.XX	+ 0.10		
ANGLES	± 0.5V		

EMERSON Network Power		Connectivity Solutions	
TITLE RJ45 MOD PLUG 50"U,STR,FLAT			
SHEET 1 OF 1	DRAWING NO. 32-5958UL	SIZE C	

THIS DRAWING WAS PRODUCED BY COMPUTER, DO NOT SCALE DRAWING OR UPDATE MANUALLY.