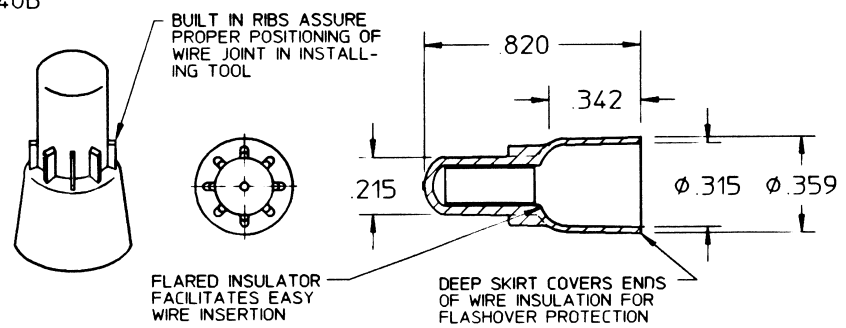


UL LISTED
140B

CERTIFIED 



MATERIAL

INSULATOR: NYLON
SLEEVE: COPPER, TIN PLATED

WIRE RANGE

UL LISTED FOR STRANDED AND SOLID WIRE AS INDICATED IN THE TABLE

OPERATING RANGE

600V MAX.
1000V FIXTURE AND GENERAL SERVICE
105°C MAX. TEMPERATURE RATING

INSTALLING TOOLS

HAND TOOLS: WT2000, WT119, ERG-2001
AIR TOOLS: 11901A, 11902A, 11903A, 11904A (DIES 11960, 11958)

INSTALLING INSTRUCTIONS

- 1) STRIP WIRE ENDS 7/16" LONG.
- 2) INSERT WIRES TWISTED OR STRAIGHT, COMPLETELY

PACKAGING		
CAT. NO.	PKG. QTY.	CASE QTY.
RB44	100	1,000
RB4-TB	1,000	10,000

WIRE COMBINATIONS (SOLID OR STRANDED AWG)
2 OR 3 NO. 18
2 NO. 16
1 NO. 16 AND 1 OR 2 NO. 18
3 NO. 22
3 NO. 20
3 NO. 22 AND 1 NO. 18
2 NO. 22 AND 3 NO. 20
1 OR 2 NO. 22 AND 2 NO. 18
2 NO. 22 AND 1 NO. 16
3 NO. 20 AND 1 NO. 18
2 NO. 20 AND 1 NO. 22
2 NO. 20 AND 1 NO. 16
1 NO. 20 AND 2 NO. 18

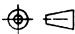
Sta-Kon

Thomas & Betts

PRODUCT MANAGER / DATE
X JON CONWAY 3/20/97

SIGNATURE
Thomas & Betts Corporation
Memphis, Tennessee

DESCRIPTION
STA-KON® WIRE JOINT NYLON INSULATED
CAT. NO. RB4-TB, RB44

THIRD ANGLE PROJECTION  IF DUAL DIMENSIONED, DIMENSIONS ARE SHOWN IN $\frac{mm}{INCH}$

SIZE	REV. NO.	REV. DATE	SALES DWG. NO.
A	9	5/6/97	AS50580

SHEET 1 OF 1

THIS DRAWING IS INTENDED ONLY FOR DESCRIPTIVE PURPOSES AND RIGHT IS RESERVED TO DEVIATE FROM ANY OF THE DETAILS SHOWN HEREON