

Distributed by:

**JAMECO**<sup>®</sup>  
ELECTRONICS

**www.Jameco.com ♦ 1-800-831-4242**

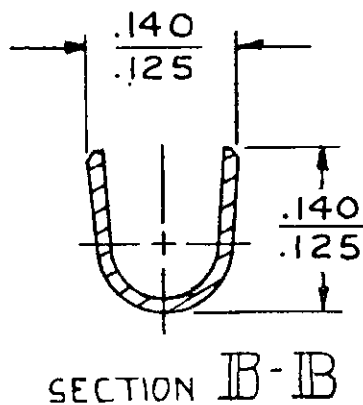
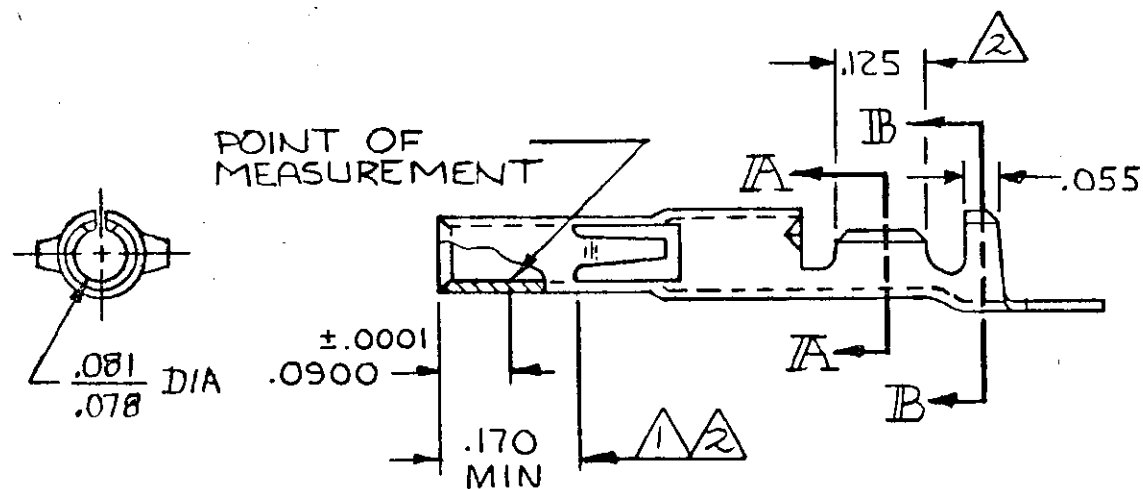
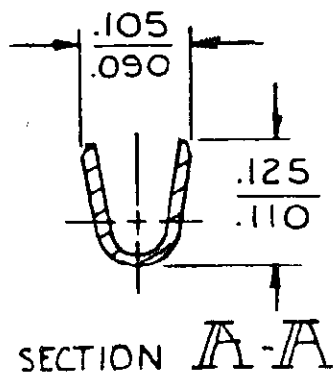
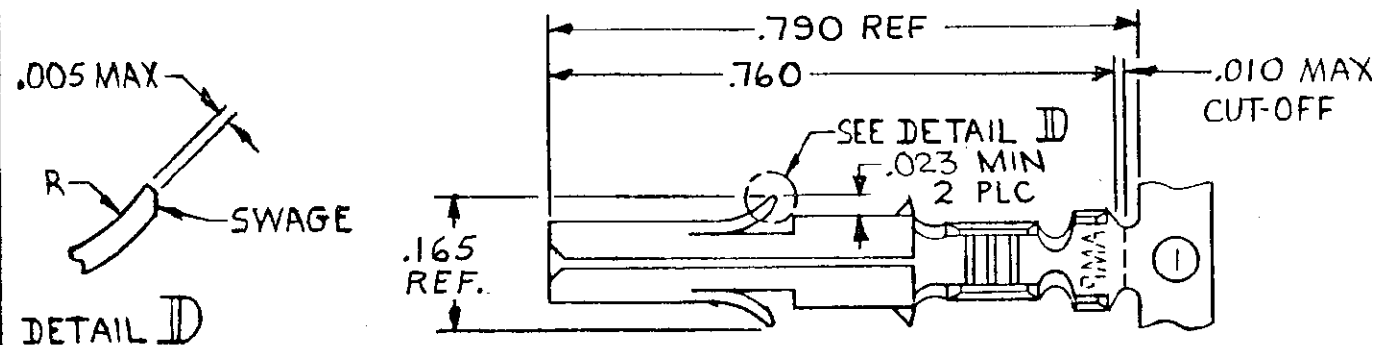
The content and copyrights of the attached  
material are the property of its owner.

Jameco Part Number 845880

THIS DRAWING IS UNPUBLISHED. RELEASED FOR PUBLICATION MAY 26, 1981

© COPYRIGHT 1973 BY AMP INCORPORATED, HARRISBURG, PA. ALL INTERNATIONAL RIGHTS RESERVED. AMP PRODUCTS MAY BE COVERED BY U.S. AND FOREIGN PATENTS AND/OR PATENTS PENDING.

1 LOC CM DIST 53



		REVISIONS				
P	F	ZONE	LTR	DESCRIPTION	DATE	APPROVED
✓	✓		S	REDRAWN W/O CHANGE M-6457	6-8-81	MSF/S.H.
✓	✓		T	ADDED .090, .180 DIMS, PT. OF MEAS., M-7351	5/12/83	TW/DH
✓			U	REVISED AG 57	10/21/83	<i>[Signature]</i>
✓			U <sub>1</sub>	RESTORED	4/3/85	BK <sub>0</sub> /RS
✓			V	REV PER ECN CM 116	8-6-85	CM/RS
			W	REV PER EC 0730-3607-91	1-6-94	RV RS

- ① .000030 THICK GOLD OVER NICKEL ON INSIDE OF RECEPTACLE; REMAINDER OF CONTACT IS NICKEL PLATED.
- ② .000030 THICK GOLD OVER NICKEL ON INSIDE OF RECEPTACLE AND WIRE BARREL; REMAINDER OF CONTACT IS NICKEL PLATED.

LOOSE PIECE (REF)	FINISH	MATERIAL	PART NO
350689-7	GOLD ①	.010 BRASS	350570-7
—		.010 PH. BRZ	350570-6
350689-3	PRE-TIN	.010 PH. BRZ	350570-3
350689-2	GOLD ②	.010 BRASS	350570-2
350689-1	PRE-TIN		350570-1

UNLESS OTHERWISE SPECIFIED DIMENSIONS ARE IN INCHES. TOLERANCES ON: DECIMALS ±.010 ANGLES ±	CONTRACT NO	<b>AMP</b>   AMP INCORPORATED Harrisburg, Pa.	
	DR M.FEHER 5-26-81		
WIRE RANGE 24-18 AWG	CHK <i>J.S. Heida</i> 6/9/81	NAME SOCKET, UNIVERSAL MATE-N-LOK	
	APPD <i>R. P. Beck</i> 6-10-81	SIZE <b>B</b>	FSCM NO <b>00779</b>
INSULATION RANGE .100 DIA MAX	DSGN APPD	DRAWING NO <b>350570</b>	
	OTHER APPD	SCALE <b>4-1</b>	SHEET <b>1-1</b>