

Distributed by:

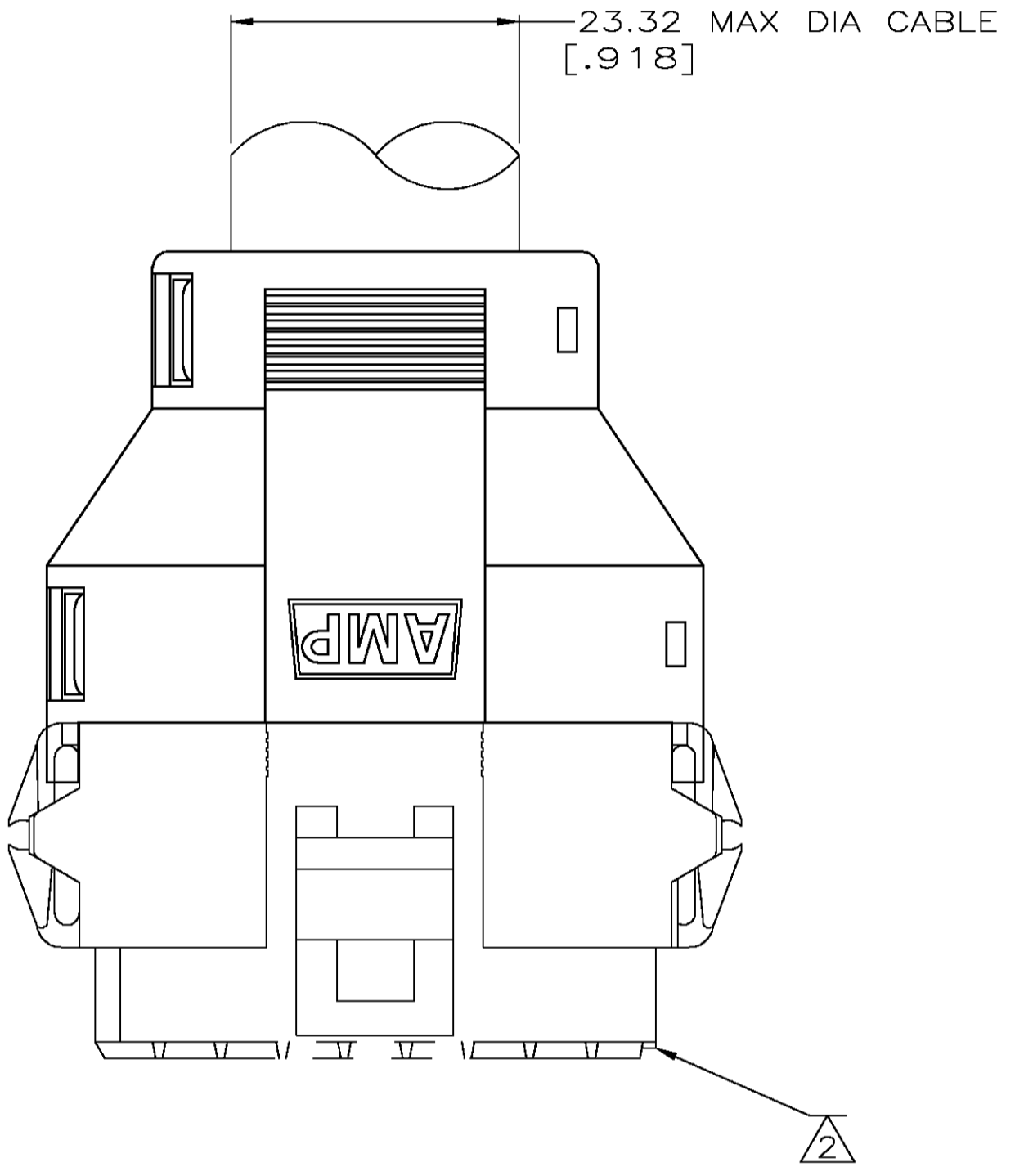
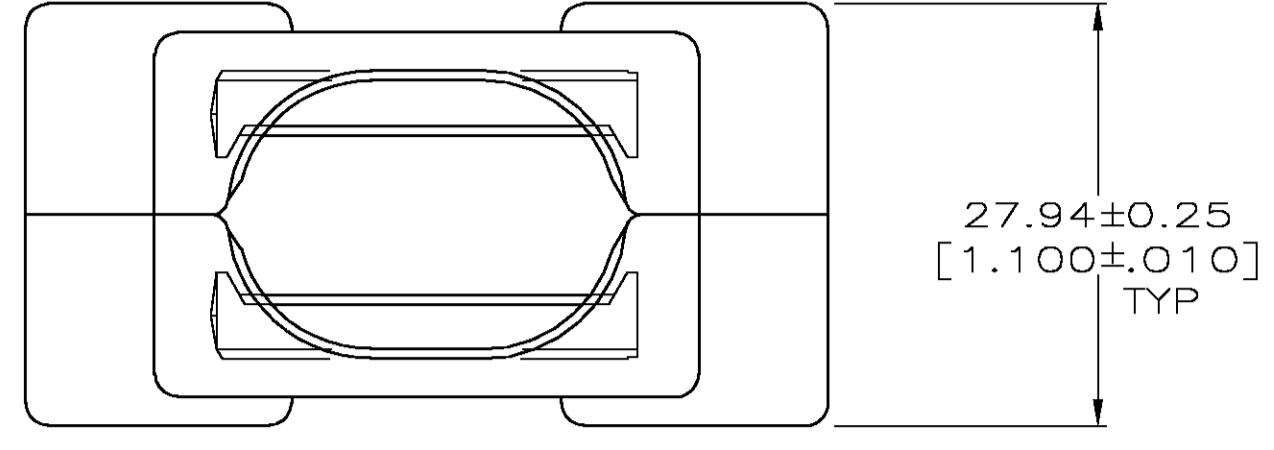
JAMECO[®]
ELECTRONICS

www.Jameco.com ♦ 1-800-831-4242

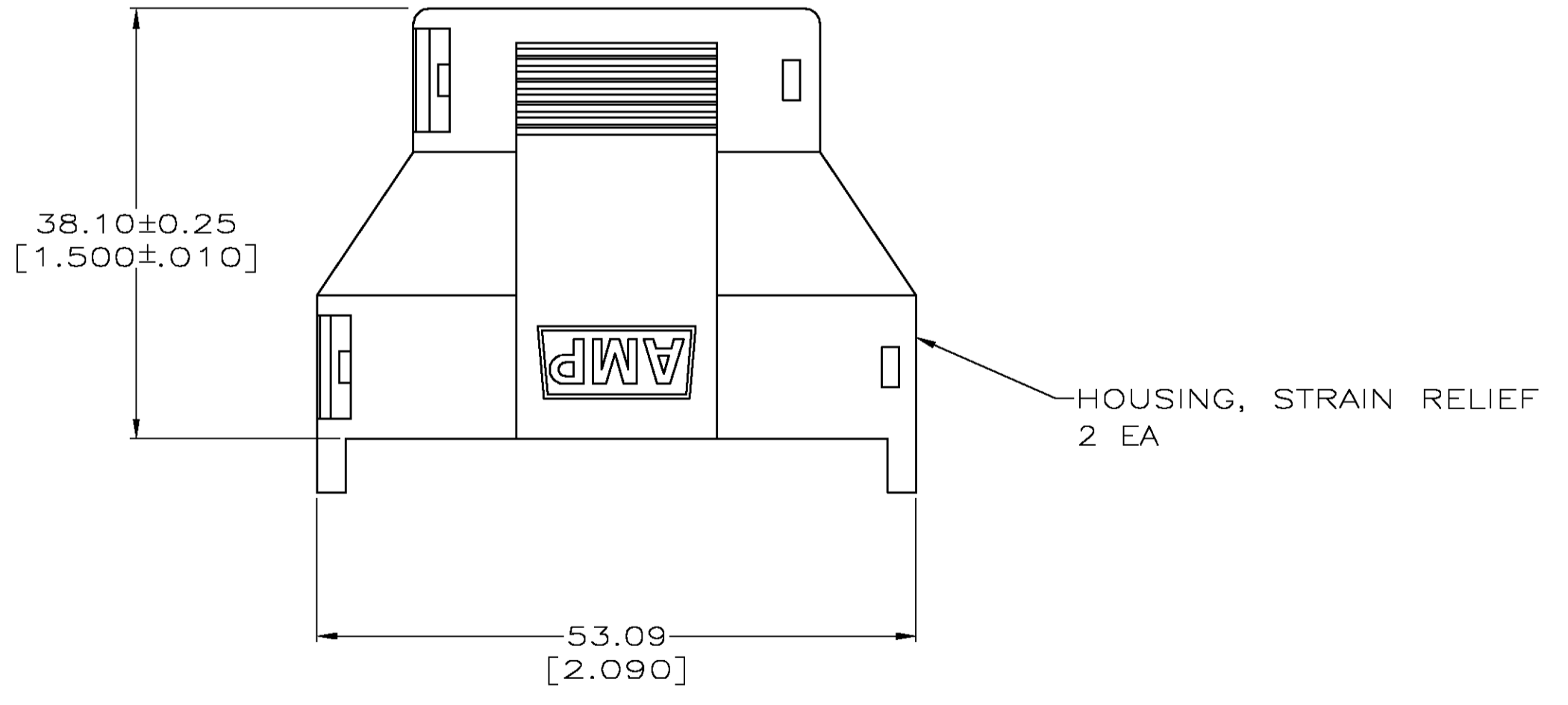
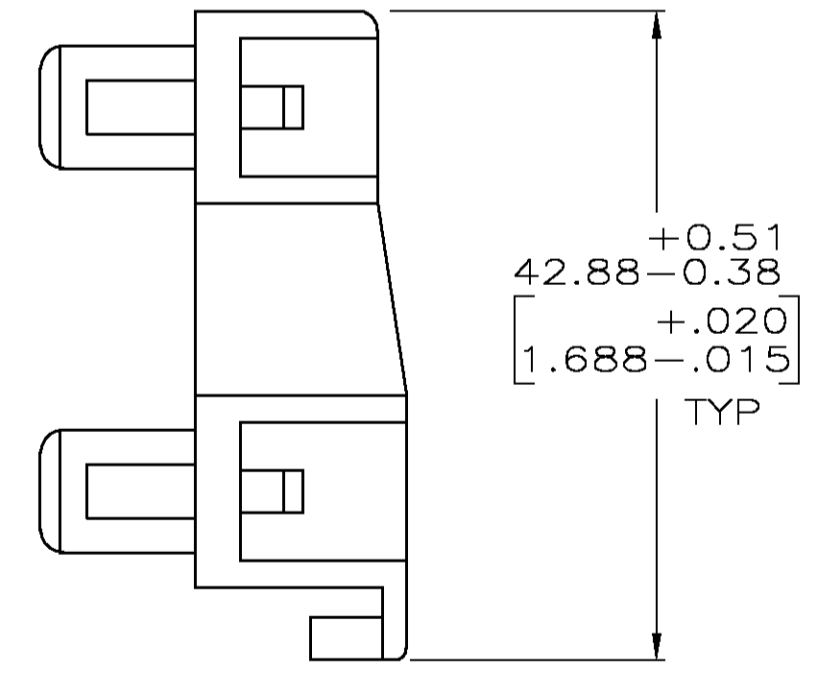
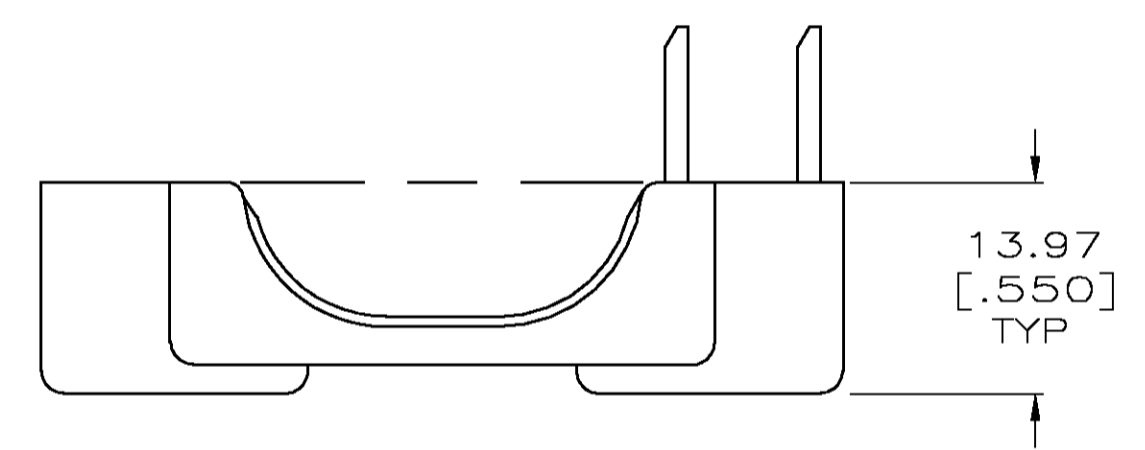
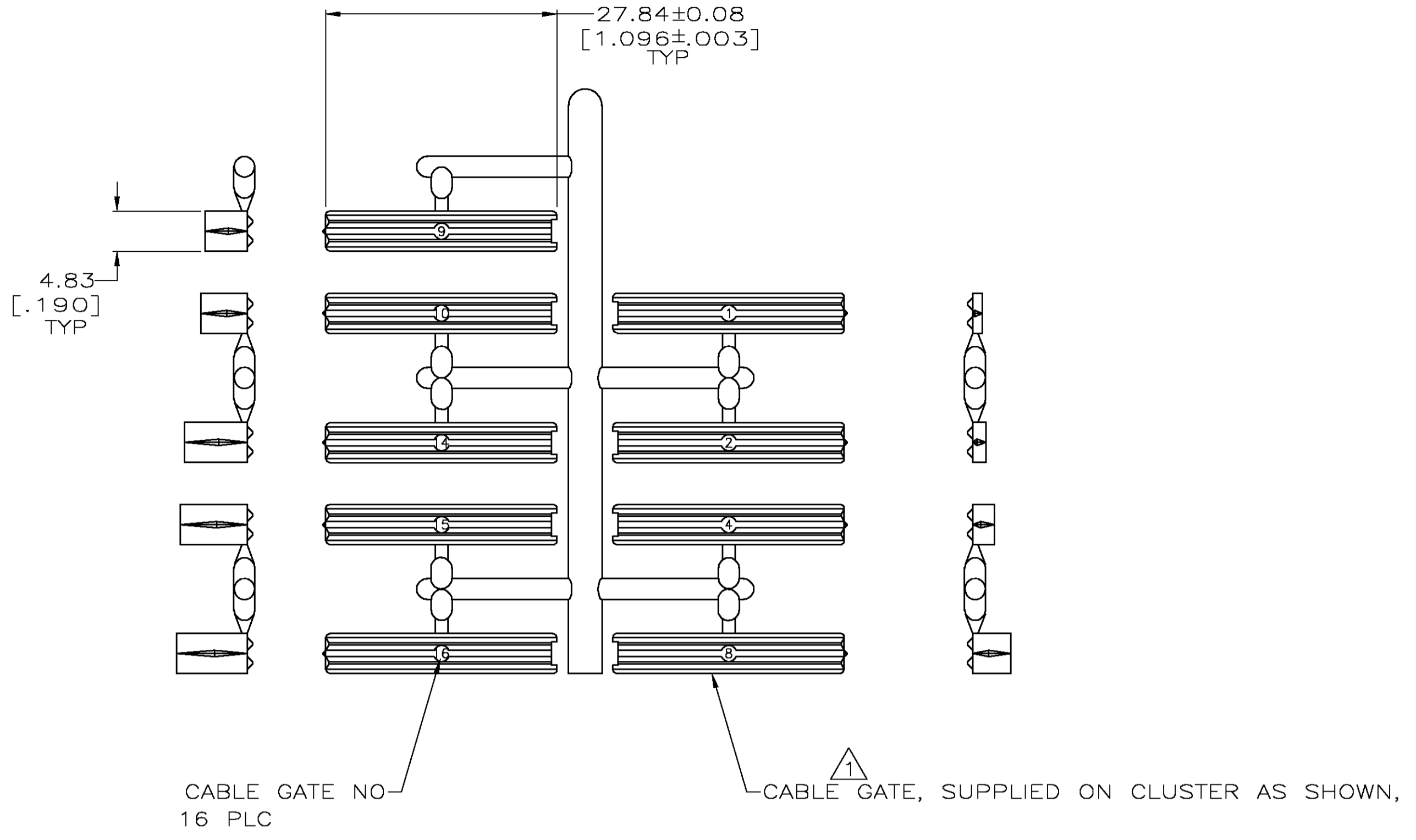
The content and copyrights of the attached
material are the property of its owner.

Jameco Part Number 839041

LOC		DIST		REVISIONS			
F	LTR	DESCRIPTION	DATE	DNW	APVD		
D		REVISED PER 063B-1122-04	12/2/04	SS	GS		



ASSEMBLED VIEW



- △ A VARIETY OF CABLE GATES ARE PROVIDED TO ACCOMMODATE A VARIETY OF CUSTOMER CABLE SIZES.
- △ PLUG SHOWN FOR REFERENCE ONLY, STRAIN RELIEF CAN BE USED ON EITHER PLUG OR RECEPTACLE.

207604-1
PART NUMBER

THIS DRAWING IS A CONTROLLED DOCUMENT.		DNW J. McCLINTON 1-27-92	Tyco Electronics Corporation Harrisburg, Pa 17105-3608	
DIMENSIONS: INCHES		CHK R. STONE 1-29-92	NAME	
TOLERANCES UNLESS OTHERWISE SPECIFIED:		PRODUCT SPEC		
0 PLC ± -	1 PLC ± -	108-10033		
2 PLC ± ± 0.13(.005)	3 PLC ± ± -	APPLICATION SPEC		
4 PLC ± ± -	ANGLES ± ± -	SIZE		
FINISH		CAGE CODE		DRAWING NO
MATERIAL NYLON, NATURAL RED		A1 00779		RESTRICTED TO
WEIGHT		C=207604		
CUSTOMER DRAWING		SCALE 2:1		SHEET 1 OF 1 REV D