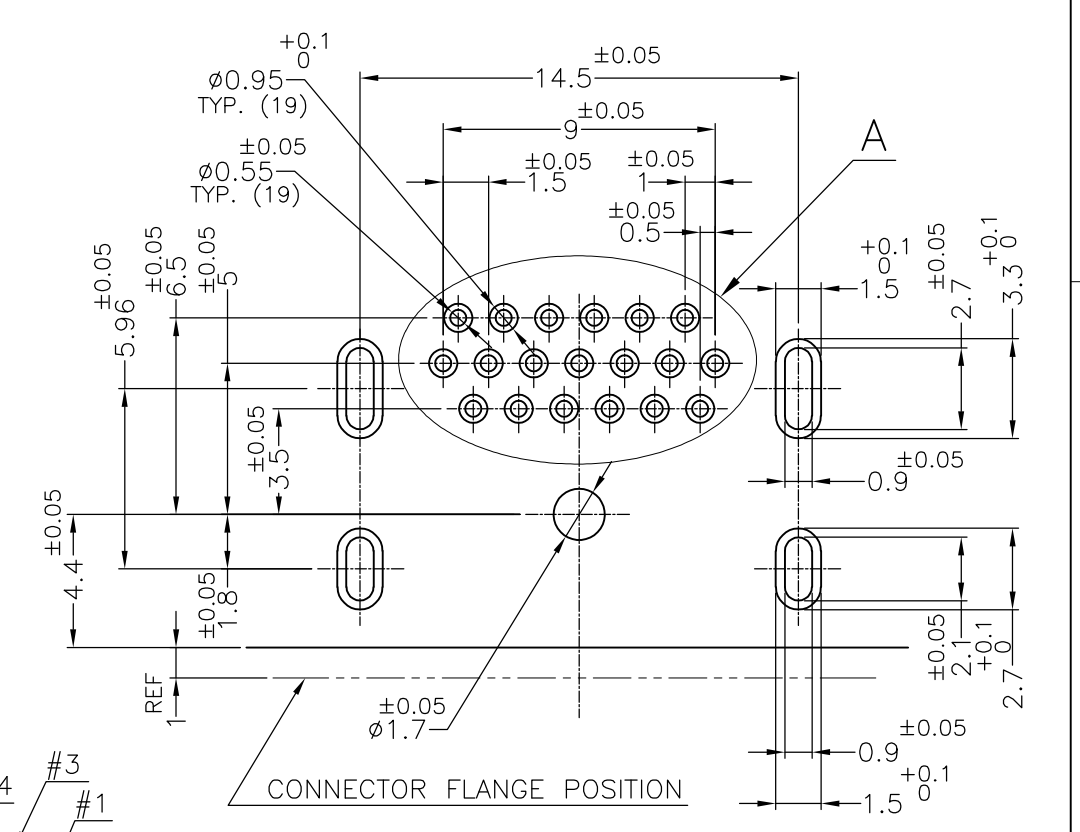
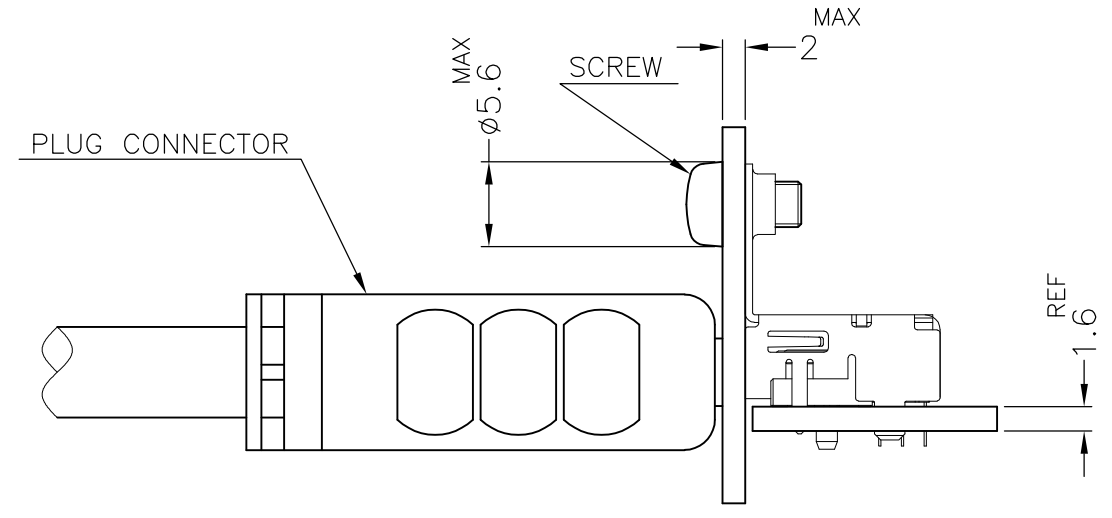
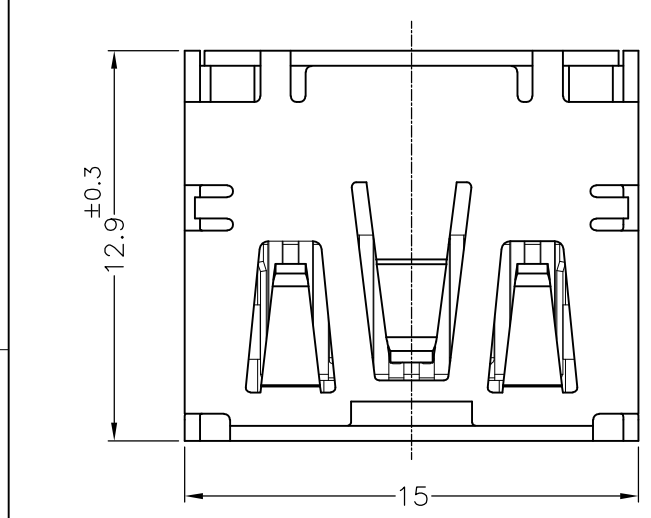
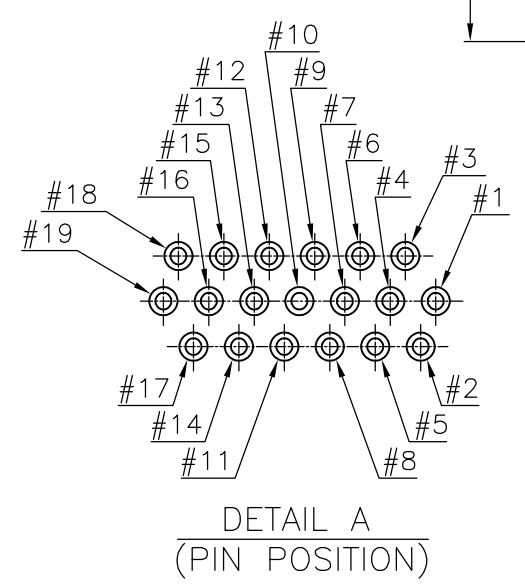
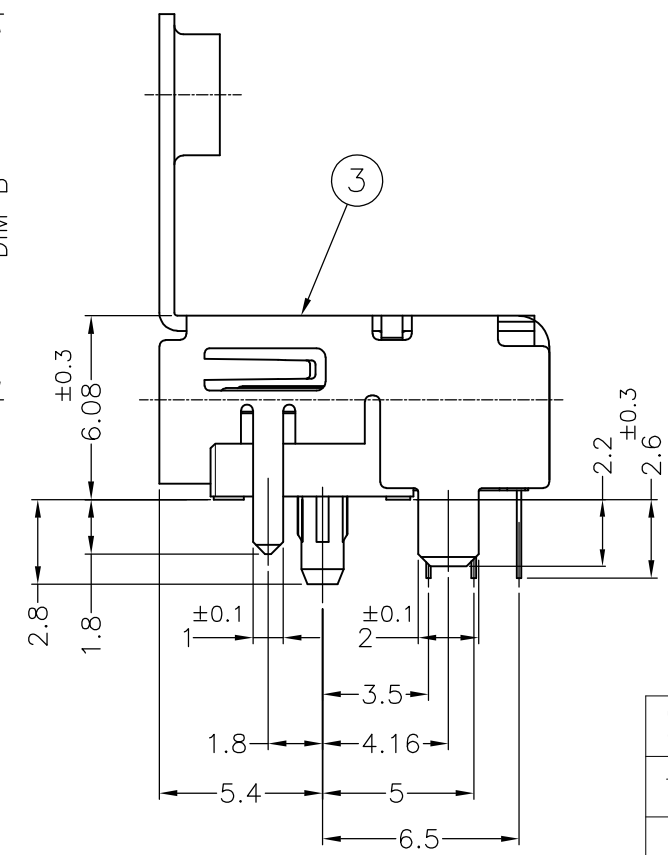
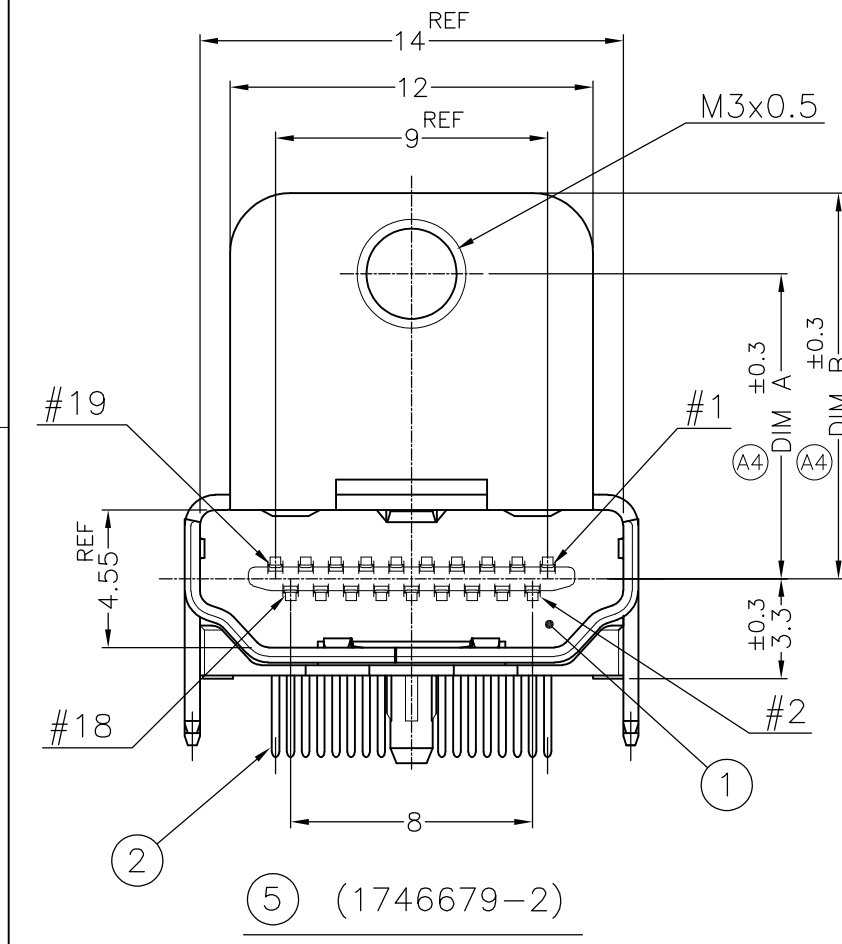


THIS DRAWING IS UNPUBLISHED. RELEASED FOR PUBLICATION
 © COPYRIGHT - By - ALL RIGHTS RESERVED.

LOC	DIST	REVISIONS					
J	-	P	LTR	DESCRIPTION	DATE	DWN	APVD
		B1		REVISED PER ECO-11-005030	11MAR11	RK	HMR



MATING CONDITION (REFERENCE)
(SCALE 2:1)



P.C.B LAYOUT
 SHOWN AS CONNECTOR MOUNTING SIDE
 TOLERANCE: NON-CUMULATIVE
 (REFERENCE)

CONTACT AREA: Au 0.3µm MIN. SOLDERING AREA: TIN, ALL OVER UNDER Ni	COPPER ALLOY	19	CONTACT	③
Tin (MATTE), ALL OVER UNDER Ni	COPPER ALLOY	1	SHELL	②
FINISH	THERMOPLASTIC UL94V-0, BLACK COLOR	1	HOUSING	①
	MATERIAL	QTY.	DISCRIPTION	ITEM

P/N ②	DIM B	DIM A
1746679-2	12.75	10.08
1746679-1	11.97	9

THIS DRAWING IS A CONTROLLED DOCUMENT.

DWN Y.HIRATA 15SEPT2004
 CHK T.KIMURA 15SEP2004
 APVD K.IKEGAMI 15SEP2004

STE TE Connectivity

NAME: HDMI 19 POS RECEPTACLE ASSY DIP TYPE -LEAD FREE-

PRODUCT SPEC: 108-78180

APPLICATION SPEC

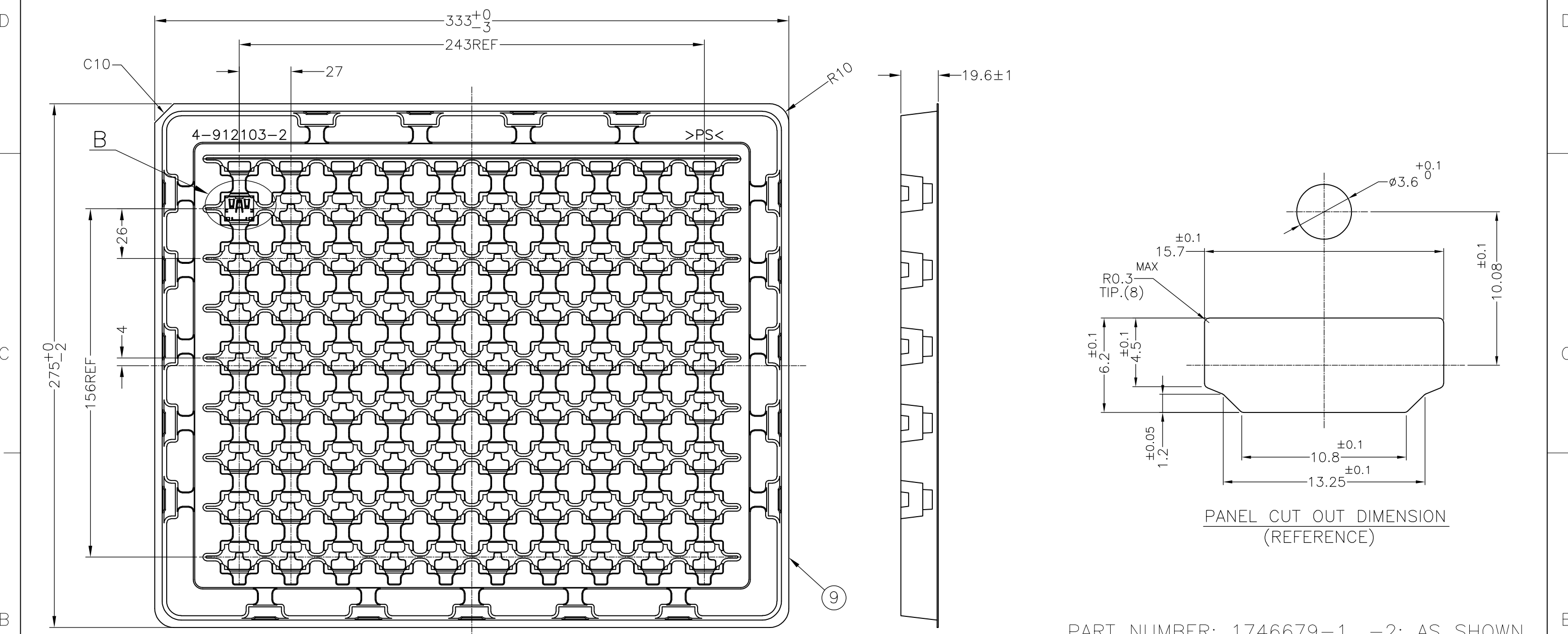
SIZE: A3 CAGE CODE: 00779 DRAWING NO: C-1746679 RESTRICTED TO: -

WEIGHT: -

CUSTOMER DRAWING SCALE: 4:1 SHEET: 1 OF 2 REV: B1

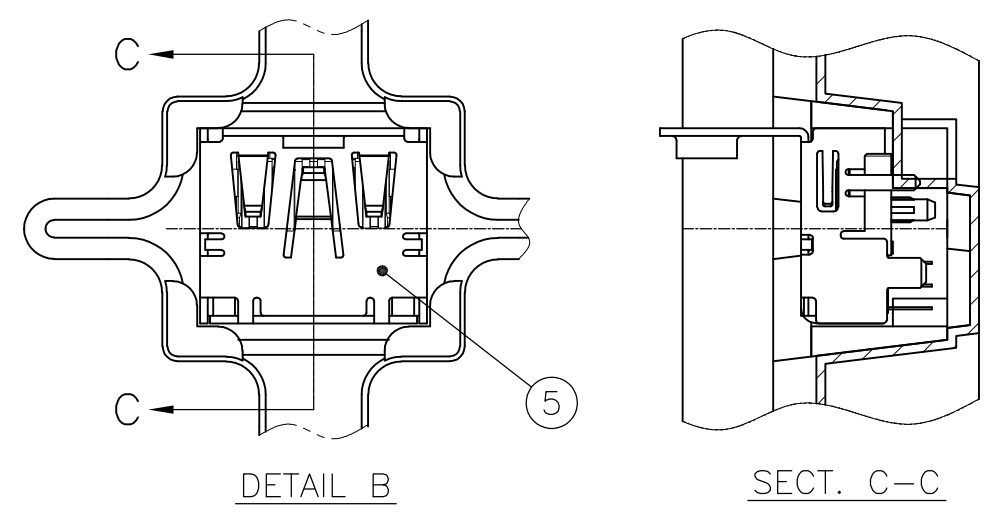
THIS DRAWING IS UNPUBLISHED. RELEASED FOR PUBLICATION
 © COPYRIGHT - By - ALL RIGHTS RESERVED.

LOC	DIST	REVISIONS			
P	LTR	DESCRIPTION	DATE	DWN	APVD
J	-	SEE SHEET 1	-	-	-



PANEL CUT OUT DIMENSION
(REFERENCE)

PART NUMBER: 1746679-1, -2; AS SHOWN



1746679-2	SEE SHEET 1	80	CONNECTOR	⑤
1746679-1	SEE SHEET 1	80	CONNECTOR	⑤
	PS	1	TRAY	④
PART NO	MATERIAL	QTY.	DISCRIPTION	ITEM

THIS DRAWING IS A CONTROLLED DOCUMENT.		DWN -		TE Connectivity HDMI 19 POS RECEPTACLE ASSY DIP TYPE -LEAD FREE-	
DIMENSIONS: MM		CHK -			
TOLERANCES UNLESS OTHERWISE SPECIFIED:		APVD -			
0 PLC ± 0.2 1 PLC ± 0.2 2 PLC ± 0.2 ± 0.3 3 PLC ± 0.2 4 PLC ± 0.2 ANGLES ± - FINISH		PRODUCT SPEC			
MATERIAL		APPLICATION SPEC		NAME	
		WEIGHT		SIZE	
CUSTOMER DRAWING		SCALE NTS		CAGE CODE 00779	
		SHEET 2 OF 2		DRAWING NO C-1746679	
		REV B1		RESTRICTED TO	