

4

3

2

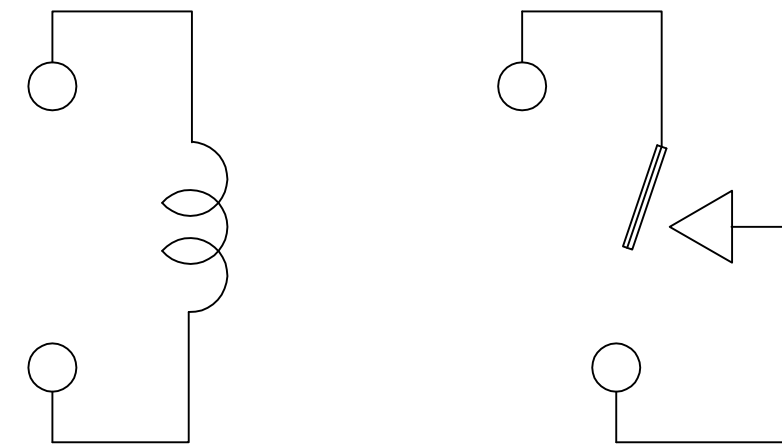
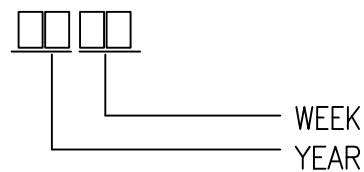
1

THIS DRAWING IS UNPUBLISHED. RELEASED FOR PUBLICATION
 © COPYRIGHT BY TYCO ELECTRONICS CORPORATION. ALL INTERNATIONAL RIGHTS RESERVED.

LOC	DIST	REVISIONS					
		P	LTR	DESCRIPTION	DATE	DWN	APVD
-	-	A		RELEASED	21-May-10	HYS	YBH



NOTES:
 1. TERMINAL DIMENSIONS BEFORE TINNING.
 2. LOT NO. SYSTEM AS FOLLOWING:



CONNECTION FIGURE

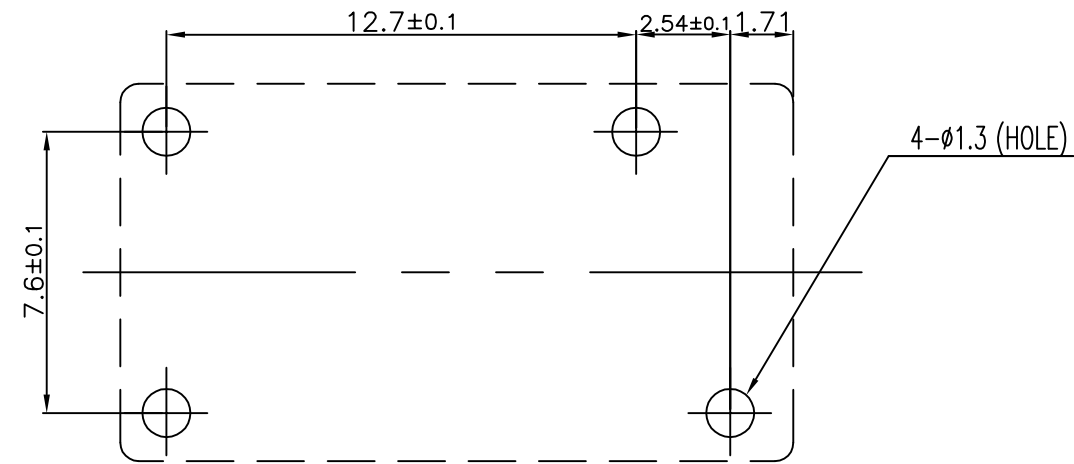
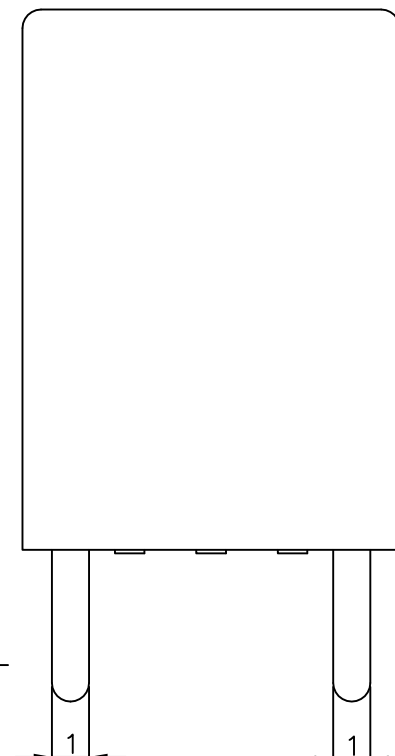
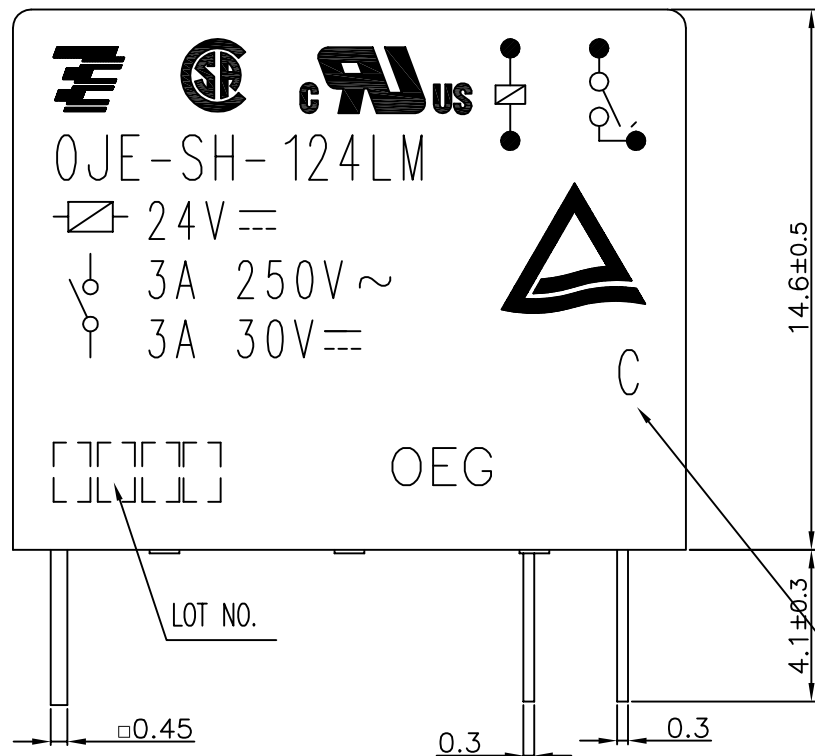


FIGURE FOR PRINTED CIRCUIT BOARD PROCESSING (BOTTOM VIEW)

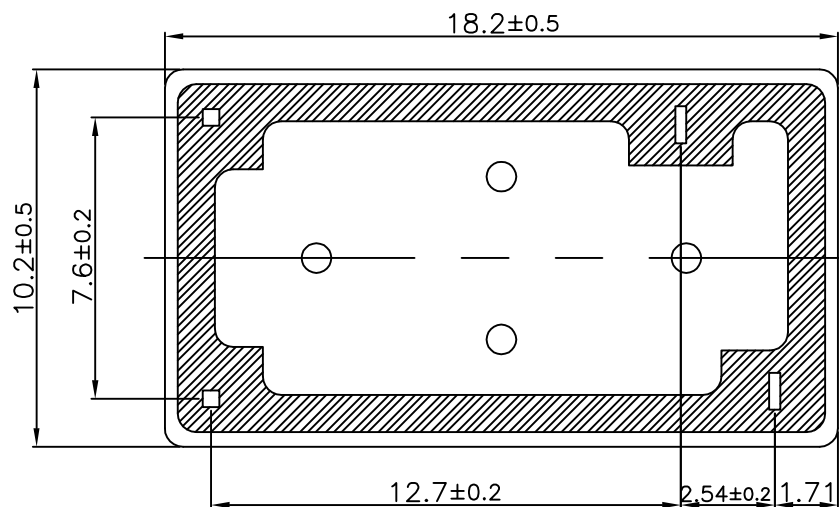


Diagram dimension	Tolerance
0.99mm max.	±0.1mm
1 - 2.99mm	±0.2mm
3mm min.	±0.3mm

THIS DRAWING IS A CONTROLLED DOCUMENT.		DWN	Huang, Yunshou		Tyco Electronics Corporation ShenZhen, China	
DIMENSIONS: mm		CHK	Yu, Banghua		NAME	
TOLERANCES UNLESS OTHERWISE SPECIFIED:		APVD	Zhang, Sunny		OJE-SH-LM,000M CUSTOMER DRAWING	
0 PLC ± -		PRODUCT SPEC	-		SIZE	
1 PLC ± -		APPLICATION SPEC	-		CAGE CODE	
2 PLC ± -		WEIGHT	-		DRAWING NO	
3 PLC ± -		CUSTOMER DRAWING		SCALE		SHEET
4 PLC ± -		-		5:1		1 of 2
ANGLES ± -		-		REV		A
FINISH		-		RESTRICTED TO		-
MATERIAL		-		A3 00779		C=2-1419128-4

4

3

2

1

THIS DRAWING IS UNPUBLISHED. RELEASED FOR PUBLICATION
 © COPYRIGHT BY TYCO ELECTRONICS CORPORATION. ALL INTERNATIONAL RIGHTS RESERVED.

LOC	DIST	REVISIONS					
		P	LTR	DESCRIPTION	DATE	DWN	APVD
-	-	-	-	SEE SHEET 1	-	-	-

D

D

C

C

B

B


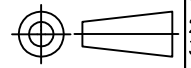
A

A

2-1419128-4	OJE-SH-124LM	107-79013	a
TE PART NO	TE TYPE NAME	PACKING SPEC	TYPE

RELAY TYPE

INCOMBUSTIBILITY	TREATMENT	MATERIAL	DESCRIPTION	ITEM
		UV RESIN	SEAL (HOLE)	16
		EPOXY RESIN	SEAL (BASE & BOBBIN)	15
		3UEW	MAGNETIC WIRE	14
94V-0		P.B.T	CASE	13
94V-0		P.B.T	BASE	12
94V-0		P.B.T	BOBBIN	11
	SOLDER DIP	C.P WIRE	COIL TERMINAL	10
94V-0		P.P.S	CARD	9
		Ag	MOVABLE CONTACT	8
		Ag	NO.CONTACT	7
		STEEL	HINGE SPRING	6
	SOLDER DIP	Cu ALLOY	NO.TERMINAL	5
	SOLDER DIP	Cu ALLOY	MOVABLE SPRING	4
	NIP	STEEL	CORE	3
	NIP	STEEL	ARMATURE	2
	NIP	STEEL	YOKE	1

THIS DRAWING IS A CONTROLLED DOCUMENT.		DWN	Huang, Yunshou			 Tyco Electronics Corporation ShenZhen, China	
DIMENSIONS: mm		CHK	Yu, Banghua				
		APVD	Zhang, Sunny				
TOLERANCES UNLESS OTHERWISE SPECIFIED:		PRODUCT SPEC	-				
MATERIAL		APPLICATION SPEC	-			NAME OJE-SH-LM,000M CUSTOMER DRAWING	
FINISH		WEIGHT	-				
		CUSTOMER DRAWING		SIZE	CAGE CODE	DRAWING NO	RESTRICTED TO
				A3	00779	2-1419128-4	-
				SCALE	SHEET	REV	
				5:1	2 of 2	A	