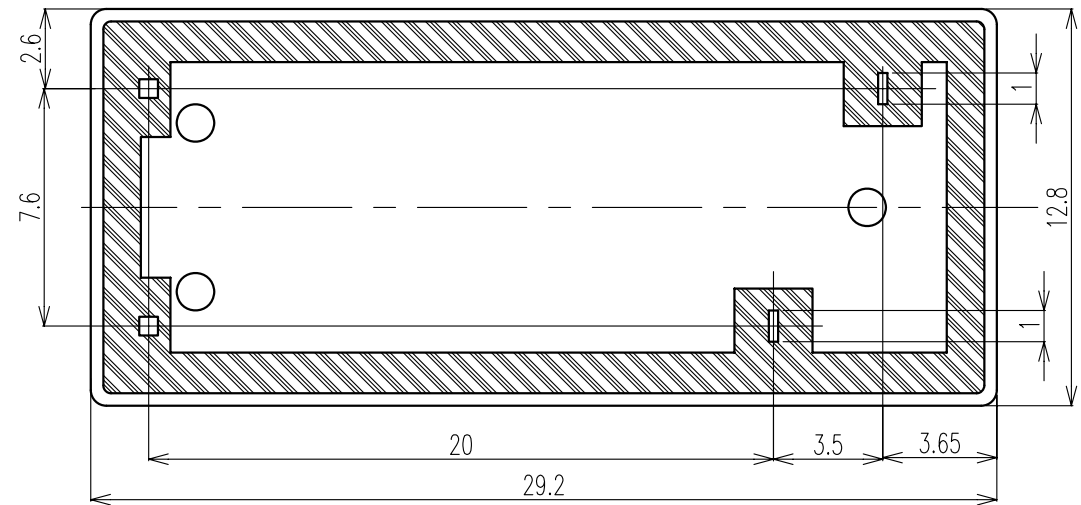
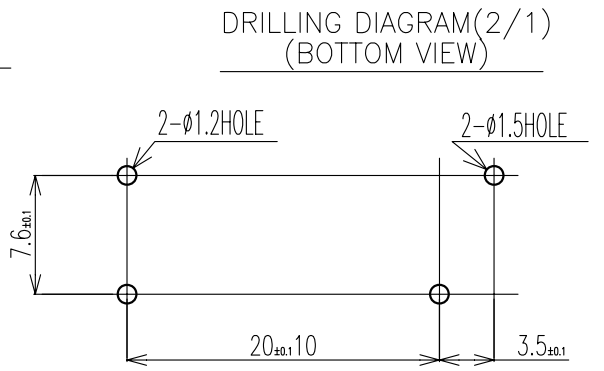
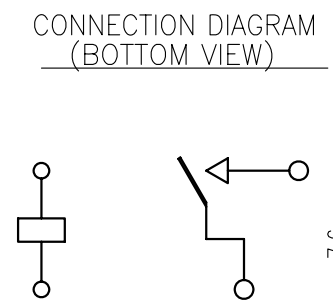
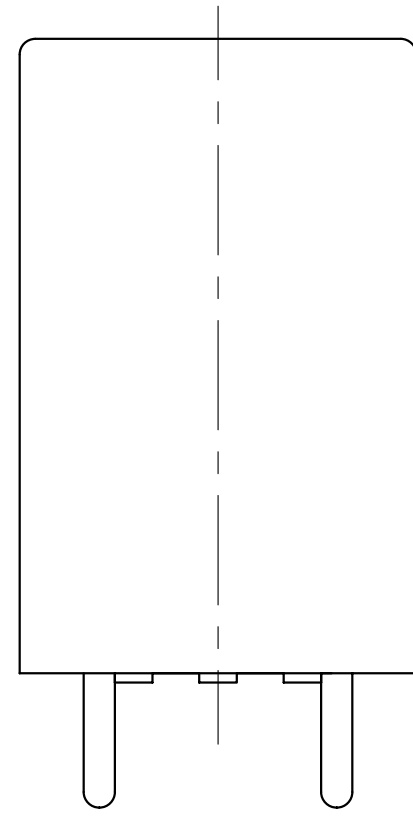
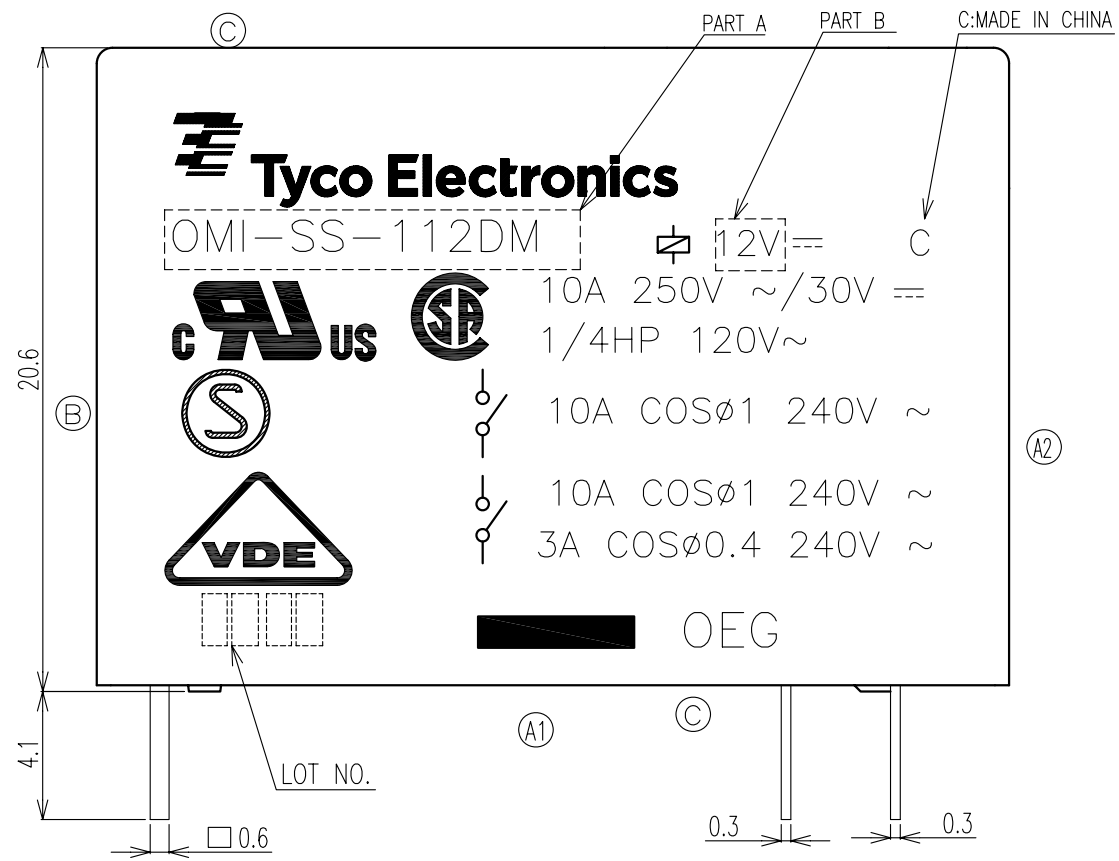
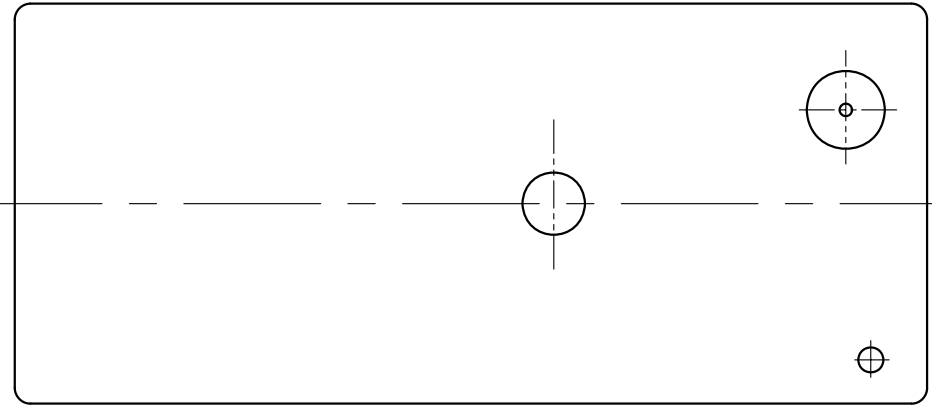


THIS DRAWING IS UNPUBLISHED. RELEASED FOR PUBLICATION  
 © COPYRIGHT BY TYCO ELECTRONICS CORPORATION. ALL RIGHTS RESERVED.

LOC	HB	DIST	REVISIONS						
			P	LTR	DESCRIPTION	ECO	DATE	DWN	APVD
				A2	MISTAKE MODIFY	ECO-05-016742	22-DEC-05	JJ.A	C.H.HSU
				B	REVISE VDE LOGO AND LOT NO.	ECO-07-001278	2-JAN-07	KS.L	W.Y
				C	CHANGE NEW LOGO	ECO-08-019312	13-FEB-09	D.L	BH.Y

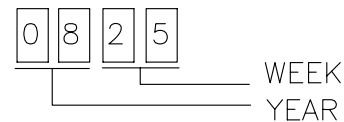


THIS DRAWING IS A CONTROLLED DOCUMENT FOR TYCO ELECTRONICS CORPORATION IT IS SUBJECT TO CHANGE AND THE CONTROLLING ENGINEERING ORGANIZATION SHOULD BE CONTACTED FOR THE LATEST REVISION.		DWN	H.SASAKI	<b>Tyco Electronics</b> Tyco Electronics Corporation Shenzhen, China
DIMENSIONS: mm		CHK	Y.OIKAWA	
TOLERANCES UNLESS OTHERWISE SPECIFIED:		APVD	A.NAGAI	NAME
0 PLC ± 1 PLC ± 2 PLC ± 3 PLC ± 4 PLC ± ANGLES ±		PRODUCT SPEC		
MATERIAL		APPLICATION SPEC		OMI-SS-D/LM CUSTOMER DRAWING
FINISH		WEIGHT		
		CUSTOMER DRAWING	SCALE 4:1	RESTRICTED TO
		SIZE A3	CAGE CODE 00779	DRAWING NO. 8-1419144-1
				SHEET 1 OF 2
				REV C

THIS DRAWING IS UNPUBLISHED. RELEASED FOR PUBLICATION  
 © COPYRIGHT BY TYCO ELECTRONICS CORPORATION. ALL RIGHTS RESERVED.

LOC HB	DIST	REVISIONS						
		P	LTR	DESCRIPTION	ECN	DATE	DWN	APVD

NOTES:  
 1.-SS- : PLASTIC SEALD TYPE  
 2.LOT NO. SYSTEM AS FOLLOWING:



3.GENERAL TOLERANCE AS FOLLOWING:

TOLERANCE	
0~0.99mm	±0.1
1mm~2.99mm	±0.2
3mmMIN.	±0.3

© 4.TERMINAL DIMENSION IS NOT INCLUDING SOLDER TIP.

Ⓐ1	6-1419122-6	OMI-SS-148LM	48V	OMI-SS-148LM	⓪1
Ⓐ1	6-1419122-2	OMI-SS-124LM	24V	OMI-SS-124LM	⓪1
Ⓐ1	5-1419122-9	OMI-SS-124DM	24V	OMI-SS-124DM	⓪1
	5-1419122-6	OMI-SS-112LM	12V	OMI-SS-112LM	⓪1
	5-1419122-2	OMI-SS-112DM	12V	OMI-SS-112DM	⓪1
	4-1419122-9	OMI-SS-106LM	6V	OMI-SS-106LM	⓪1
	4-1419122-7	OMI-SS-105LM	5V	OMI-SS-105LM	⓪1
	8-1419144-1	OMI-SS-105DM	5V	OMI-SS-105DM	
	TE PART NO	TE TYPE NAME	PART B	PART A	

RELAY TYPE

		EPOXY RESIN	RESIN	16	
UL94 V-0		PBT	CASE	15	
		—	TAPE	14	
CLASS E		UEW	MAGNETIC WIRE	13	
UL94 V-0		PET	BASE	12	
UL94 V-0		PBT	BOBBIN	11	
	SOLDER DIP	CP WIRE	COIL TERMINAL	10	
UL94 V-0		PPS	CARD	9	
		Ag ALLOY	MOVABLE CONTACT	8	
		Ag ALLOY	STATIONARY CONTACT	7	
		Cu ALLOY	HINGE SPRING	6	
	SOLDER DIP	Cu ALLOY	STATIONARY TERMINAL	5	
	SOLDER DIP	Cu ALLOY	MOVABLE SPRING	4	
		STEEL	CORE	3	
		STEEL	ARMATURE	2	
		STEEL	YOKE	1	
	INCOMBUSTIBILITY	TREATMENT	MATERIAL	DESCRIPTION	ITEM

THIS DRAWING IS A CONTROLLED DOCUMENT FOR TYCO ELECTRONICS CORPORATION IT IS SUBJECT TO CHANGE AND THE CONTROLLING ENGINEERING ORGANIZATION SHOULD BE CONTACTED FOR THE LATEST REVISION.		DWN	Tyco Electronics Corporation Shenzhen, China			
DIMENSIONS: mm		CHK				
		APVD	NAME OMI-SS-D/LM CUSTOMER DRAWING			
		PRODUCT SPEC				
TOLERANCES UNLESS OTHERWISE SPECIFIED: 0 PLC ± 1 PLC ± 2 PLC ± 3 PLC ± 4 PLC ± ANGLES ±		APPLICATION SPEC	SIZE A3	CAGE CODE 00779	DRAWING NO 8-1419144-1	RESTRICTED TO
MATERIAL		FINISH	WEIGHT	SCALE 4:1 SHEET 2 OF 2 REV C		
			CUSTOMER DRAWING			