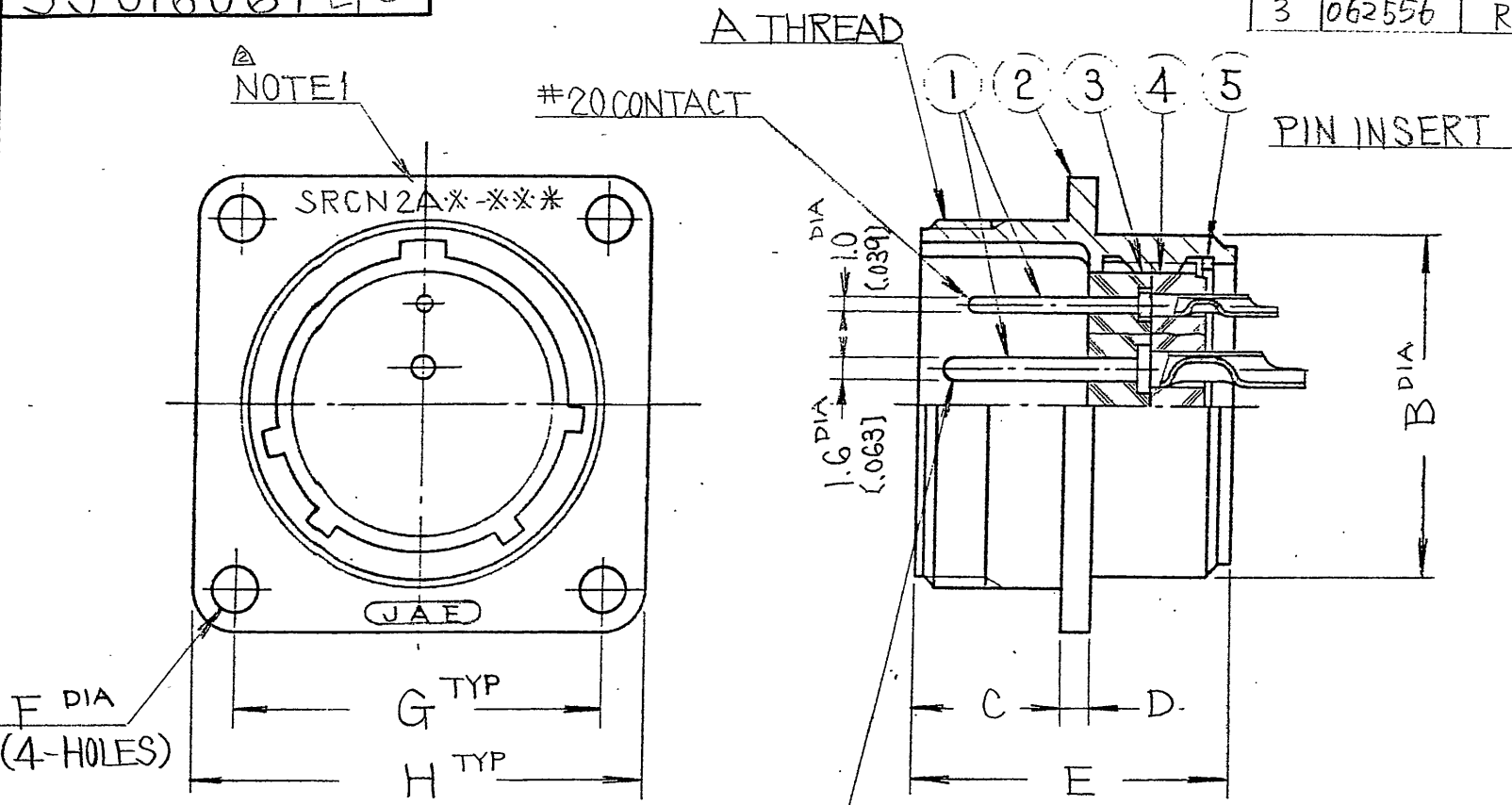


| | |
|------------|------|
| DWG. NO. | SYM. |
| SJ016061-E | 3 |

| SYM. | DCN NO. | DESCRIPTION | DATE | DRAWN | CHECKED | APP'D | APP'D |
|------|---------|---------------------------|-------------|-------------|-------------|-------------|-------------|
| △ | 15967 | CHANGED STAMPING POSITION | 1-FEB-83 | K. Ota | H. Inoue | N. Iwashima | H. Kawamura |
| 3 | 062556 | REVISED NOTE | 16-MAR-2007 | T. Takasita | E. Motomoto | - | A. Onogawa |



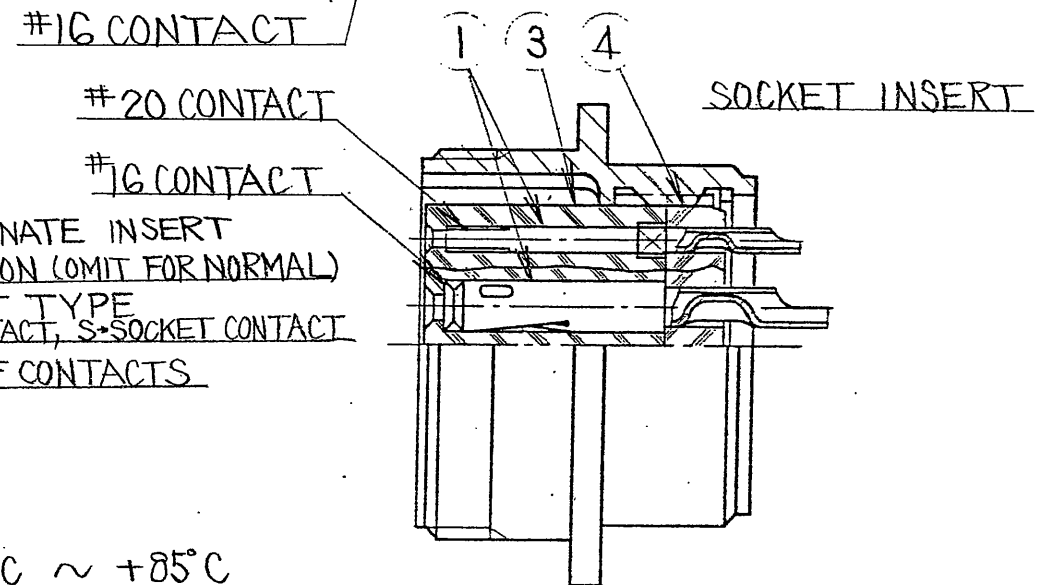
| SHELL SIZE | A THREAD | 10.3 ± 0.012 B DIA | C | D | E | 3.2 ± 0.012 F DIA | G TYP | H TYP |
|------------|----------|---------------------------|----------------|---------------|----------------|--------------------------|------------------|---------------|
| 13 | M18 P1 | 16 (.630) | 10.5 (.413) | 2.0 (.079) | 22.5 (.886) | 3.2 (.126) | 20.00 (.787) | 26 (1.024) |
| 16 | M22 P1 | 20 (.787) | ↑ | ↑ | ↑ | ↑ | 23.00 (.906) | 29 (1.142) |
| 21 | M26 P1 | 24 (.945) | ↓ | ↓ | ↓ | ↓ | 26.00 (1.024) | 32 (1.260) |
| 25 | M30 P1 | 28 (1.102) | 10.5 (.413) | 2.0 (.079) | 22.5 (.886) | 3.2 (.126) | 29.00 (1.142) | 35 (1.378) |

NOTES
 △ 1. METAL STAMPS "SRCN 2A * - * * *" "JAE"
 △ 2. FOR AVAILABLE INSERT ARRANGEMENTS, ALTERNATE POSITIONS, ELECTRICAL SPECIFICATIONS AND CONTACT SIZE, REFER TO SJ014069 OR CONSULT FACTORY.
 3. IDENTIFICATION PER JIS C 5432 AS FOLLOWS.

CNRO1SR * 0 * 0 * * * (OMIT FOR NORMAL)
 M - PIN CONTACT
 F - SOCKET CONTACT
 ALTERNATE INSERT POSITION
 NUMBER OF CONTACTS
 SHELL SIZE

IDENTIFICATION

SRCN 2A * - * * *
 SERIES PREFIX
 SHELL STYLE
 CLASS
 SHELL SIZE



REQUIREMENTS

TEMPERATURE -25°C ~ +85°C
 RELATIVE HUMIDITY 85% MAX
 INSULATION RESISTANCE 1000 MΩ MIN (AT DC 500V)

| ITEM | DESCRIPTION | Q'TY | MATERIAL | FINISH | NOTE |
|------|------------------|------|----------------|----------------------|----------------------|
| 5 | RING RETAINING | 1 | COPPER ALLOY | NICKEL PLATING | |
| 4 | INSULATOR, REAR | 1 | PLASTIC | NONE | UL FLAME CLASS 94V-0 |
| 3 | INSULATOR, FRONT | 1 | PLASTIC | NONE | UL FLAME CLASS 94V-0 |
| 2 | SHELL | 1 | ALUMINUM ALLOY | SATIN NICKEL PLATING | |
| 1 | CONTACTS | - | COPPER ALLOY | SILVER PLATING | SEE NOTE 2 |

| | | | |
|-------------------------------|------------|-----------------|--------------------|
| UNLESS OTHERWISE SPECIFIED | | DATE | 5-26-1981 |
| DIMENSIONS ARE IN MILLIMETERS | | DRAWN | M. Nomatsu |
| TOLERANCES ON: (INCHES) | | CHECKED | H. Inoue, M. Takai |
| FRACTIONS | DECIMALS | ANGLES | APP'D |
| $\pm .015$ | $\pm .005$ | $\pm 1/2^\circ$ | N. Iwashima |
| $\pm .030$ | $\pm .010$ | | APP'D |
| $\pm .075$ | $\pm .025$ | | T. Yajima |
| TREATMENT OR FINISH | | | |

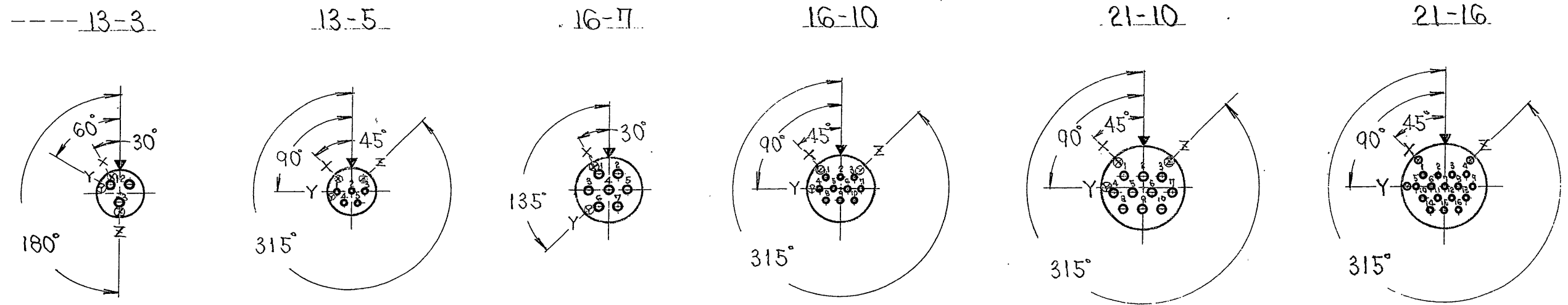
| | | | |
|--------------------------|--|----------------------------|-------|
| TITLE | | JAE-CONNECTOR.COM | |
| CONNECTOR RECEPTACLE | | IND. CO. LTD. | |
| ELECTRICAL, BOX MOUNTING | | FACTORY Reference Only | |
| SRCN 2A | | NAKAGAMI-CHO, AKISHIMA-SHI | |
| | | TOKYO, JAPAN | |
| SCALE | | DWG. SIZE | SHEET |
| NONE | | B | |

| | | | |
|-------------|---------|------------|-------------|
| NEXT ASS'Y | USED ON | NEXT ASS'Y | FINAL ASS'Y |
| APPLICATION | | QTY REQ'D | |

| | |
|-------------|------|
| DWG. NO. | SYM. |
| SJ 014069-E | 3 |

| SYM. | DCN NO. | DESCRIPTION | DATE | DRAWN | CHECKED | APP'D | APP'D |
|------|-----------|-----------------------|-----------|-------------|--------------|--------------|------------|
| 2 | DCN-14326 | Add SRCN | 81.5.26 | M. Komatsu | M. Drove | M. Takahashi | T. Yajima |
| 3 | 062556 | REVISED SPECIFICATION | 2007.3.16 | t. takesita | S. Matsumoto | - | A. Onogawa |

INSERT ARRANGEMENT



OPERATING CURRENT --- 10A
CONTACT SIZE ----- #16

5A
#20

10A
#16

5A
#20

10A
#16

5A
#20

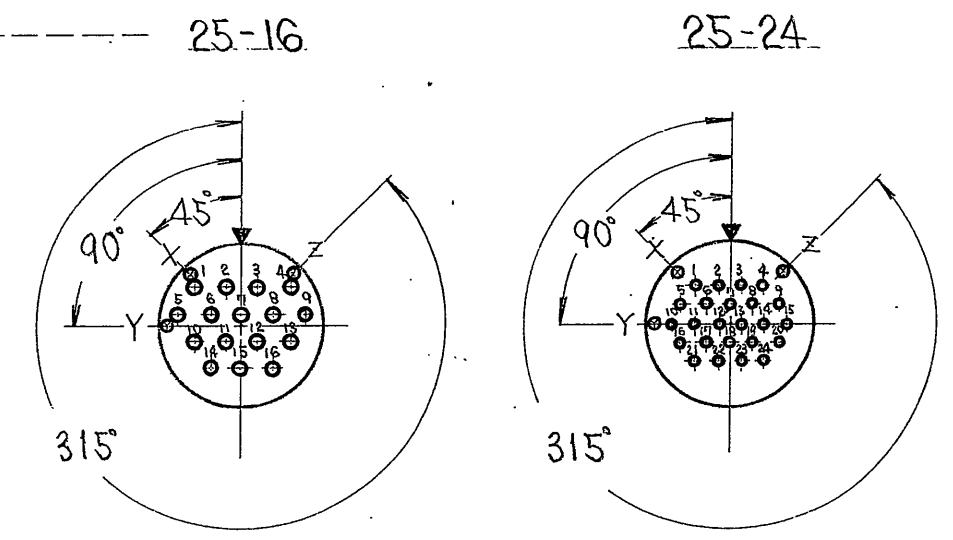
SERVICE RATING

WITHSTANDING VOLTAGE AC 1000 V.r.m.s. (FOR 1 MINUTE)
INSULATION RESISTANCE 1000 MΩ MIN (AT D.C. 500V)

NOTES

- ALL INSERT LAYOUTS ARE SHOWN IN FRONT-VIEW FROM ENGAGING FACE OF PIN INSERT (SOCKET INSERT OPPOSITE).
- ▼ INDICATES LOCATION OF CENTERLINE OF KEY OR KEY WAY OF SHELLS IN FIXED NORMAL POSITION. FOR ALTERNATE INSERT POSITIONS, INSERT IS ROTATED AS SHOWN BY ARROW AND LETTERS.

INSERT ARRANGEMENT



OPERATING CURRENT --- 10A
CONTACT SIZE ----- #16

5A
#20

| ITEM | DESCRIPTION | Q'TY | MATERIAL | FINISH | PART NO. | | | | | | |
|---|-------------|------------|-------------|--------|----------|-----------|----------|--------|--|--|-------|
| <p>UNLESS OTHERWISE SPECIFIED DIMENSIONS ARE IN INCHES TOLERANCES ON:</p> <table border="1"> <tr> <td>FRACTIONS</td> <td>DECIMALS</td> <td>ANGLES</td> </tr> <tr> <td></td> <td></td> <td>±1/2°</td> </tr> </table> | | | | | | FRACTIONS | DECIMALS | ANGLES | | | ±1/2° |
| FRACTIONS | DECIMALS | ANGLES | | | | | | | | | |
| | | ±1/2° | | | | | | | | | |
| <p>TREATMENT OR FINISH</p> | | | | | | | | | | | |
| <p>DATE 10-11-1974 DRAWN <i>M. Sugita</i> CHECKED <i>M. Sugita</i> APP'D <i>M. Sugita</i> APP'D <i>M. Sugita</i></p> | | | | | | | | | | | |
| <p>TITLE INSERT ARRANGEMENTS SRC AND SRCN ELECTRICAL CONNECTORS</p> | | | | | | | | | | | |
| <p>JAPAN AVIATION ELECTRONICS IND. CO. LTD. FACTORY NAKAGAMI-CHO, AKISHIMA-SHI TOKYO, JAPAN</p> | | | | | | | | | | | |
| <p>DWG. NO. SJ 014069-E</p> | | | | | | | | | | | |
| <p>SCALE X1 DWG. SIZE B WT. SHEET</p> | | | | | | | | | | | |
| NEXT ASS'Y | USED ON | NEXT ASS'Y | FINAL ASS'Y | | | | | | | | |
| APPLICATION | | QT'Y REQ'D | | | | | | | | | |