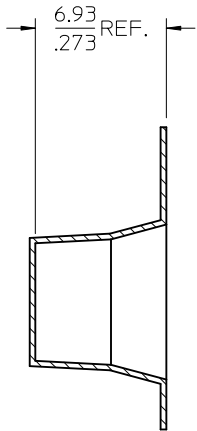


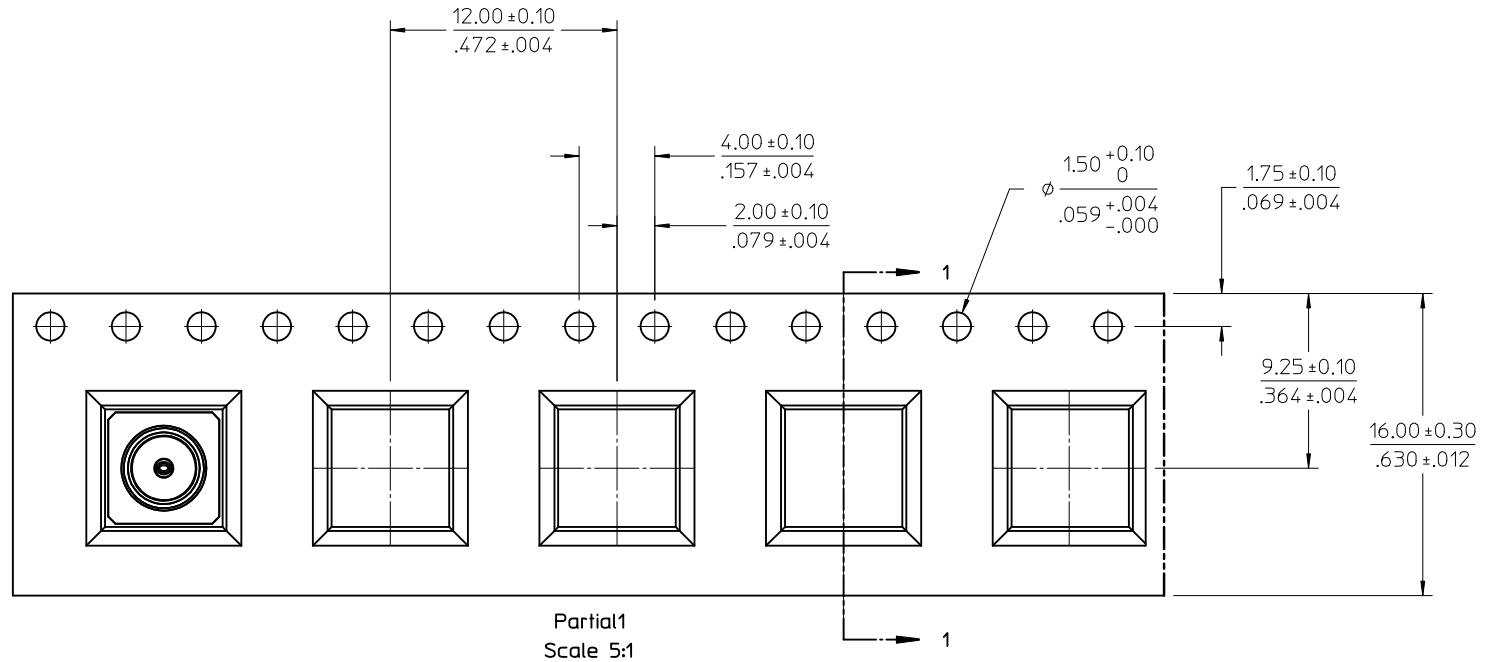


73415-1637	TRI ALLOY	TAPE ANS REEL (SPQ 800 PCS) WITHOUT KAPTON TAPE OF 73415-1630
73415-1636	TRI ALLOY	TAPE ANS REEL (SPQ 800 PCS) WITH KAPTON TAPE OF 73415-1630
73415-1635	GOLD	P/N 73415-1631, ONE PIECE PER BAG
73415-1634	TRI ALLOY	P/N 73415-1630, ONE PIECE PER BAG
73415-1633	GOLD	TAPE ANS REEL (SPQ 800 PCS) WITHOUT KAPTON TAPE
73415-1632	GOLD	TAPE ANS REEL (SPQ 800 PCS) WITH KAPTON TAPE
73415-1631	GOLD	INDIVIDUAL, 100 PIECES PER BAG
73415-1630	TRI ALLOY	INDIVIDUAL, 100 PIECES PER BAG
PART NO.	PLATING.	PACKAGING

<b>CHG:SEE SHEET1</b> EC NO: URF2012-0167 DRWNLIN 2011/09/27 CHKD: APPR:MHUANG 2011/10/03	DESCRIPTION REV:	<b>QUALITY SYMBOLS</b> =0 =0	<b>GENERAL TOLERANCES (UNLESS SPECIFIED)</b> <table border="1"> <tr> <td></td> <td>mm</td> <td>INCH</td> </tr> <tr> <td>4 PLACES</td> <td>± .005</td> <td>± .0008</td> </tr> <tr> <td>3 PLACES</td> <td>± .005</td> <td>± .0008</td> </tr> <tr> <td>2 PLACES</td> <td>± .005</td> <td>± .0008</td> </tr> <tr> <td>1 PLACE</td> <td>± .005</td> <td>± .0008</td> </tr> </table>		mm	INCH	4 PLACES	± .005	± .0008	3 PLACES	± .005	± .0008	2 PLACES	± .005	± .0008	1 PLACE	± .005	± .0008	<b>DIMENSION STYLE</b> MM/IN DRAWN BY DATE TEF 2000/01/05 CHECKED BY DATE TEF 2000/01/05 APPROVED BY DATE GMH 2000/01/05	SCALE DESIGN UNITS METRIC THIRD ANGLE PROJECTION	TITLE MCX JACK,PCB,SMT,75 OHMS MCX-J/PCB
			mm	INCH																	
		4 PLACES	± .005	± .0008																	
		3 PLACES	± .005	± .0008																	
2 PLACES	± .005	± .0008																			
1 PLACE	± .005	± .0008																			
MATERIAL NO. SEE SHEET1 DOCUMENT NO. SD-73415-163		SHEET NO. 2 OF 4																			
DRAFT WHERE APPLICABLE MUST REMAIN WITHIN DIMENSIONS			SIZE 	THIS DRAWING CONTAINS INFORMATION THAT IS PROPRIETARY TO MOLEX INCORPORATED AND SHOULD NOT BE USED WITHOUT WRITTEN PERMISSION																	
A4																					



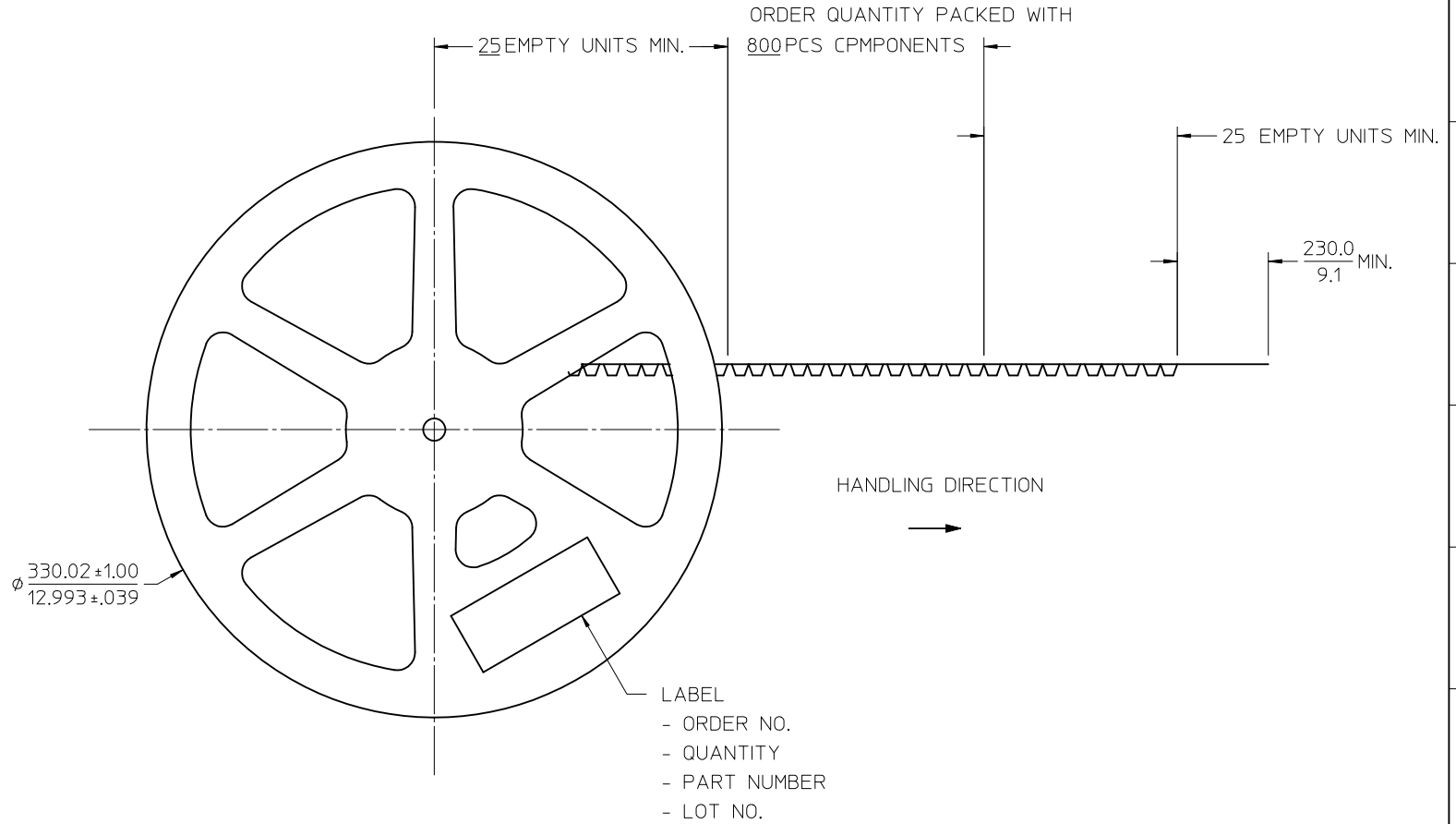
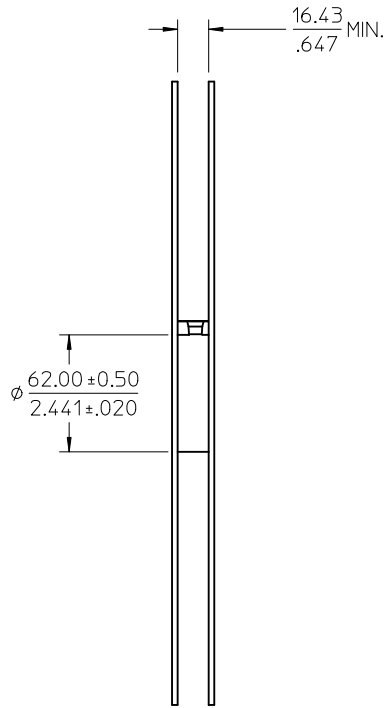
Section 1-1  
Scale 5:1



Partial1  
Scale 5:1

SEE SHEET 1 EC NO: URF2012-0167 DRWNLIN 2011/09/27 CHKD: APPR: MHIUANG 2011/10/03 REV: A4	QUALITY SYMBOLS ▽=0 ▽=0	GENERAL TOLERANCES (UNLESS SPECIFIED) <table border="1"> <thead> <tr> <th></th> <th>mm</th> <th>INCH</th> </tr> </thead> <tbody> <tr> <td>4 PLACES</td> <td>± ---</td> <td>± ---</td> </tr> <tr> <td>3 PLACES</td> <td>± ---</td> <td>± ---</td> </tr> <tr> <td>2 PLACES</td> <td>± ---</td> <td>± ---</td> </tr> <tr> <td>1 PLACE</td> <td>± ---</td> <td>± ---</td> </tr> </tbody> </table>		mm	INCH	4 PLACES	± ---	± ---	3 PLACES	± ---	± ---	2 PLACES	± ---	± ---	1 PLACE	± ---	± ---	DIMENSION STYLE <b>MM/IN</b> DRAWN BY DATE TEF 2000/01/05 CHECKED BY DATE TEF 2000/01/05 APPROVED BY DATE GMH 2000/01/05	SCALE <b>METRIC</b> DESIGN UNITS THIRD ANGLE PROJECTION	TITLE <b>MCX JACK,PCB,SMT,75 OHMS          MCX-J/PCB</b>
		mm	INCH																	
	4 PLACES	± ---	± ---																	
	3 PLACES	± ---	± ---																	
2 PLACES	± ---	± ---																		
1 PLACE	± ---	± ---																		
DRAFT WHERE APPLICABLE MUST REMAIN WITHIN DIMENSIONS	MATERIAL NO. <b>SEE SHEET 1</b>	DOCUMENT NO. <b>SD-73415-163</b>	SHEET NO. <b>3 OF 4</b>																	
THIS DRAWING CONTAINS INFORMATION THAT IS PROPRIETARY TO MOLEX INCORPORATED AND SHOULD NOT BE USED WITHOUT WRITTEN PERMISSION																				

PART NO. 73415-1636  
 13" REEL SIZE FOR 800 PIECES



SEE SHEET 1 EC NO: URF2012-0167 DRWNLIN 2011/09/27 CHKD: APPR:MHUANG 2011/10/03	QUALITY SYMBOLS	GENERAL TOLERANCES (UNLESS SPECIFIED)	DIMENSION STYLE		SCALE	DESIGN UNITS	THIRD ANGLE PROJECTION
	$\nabla=0$		mm	INCH	MM/IN	METRIC	
	$\nabla=0$		DRAWN BY DATE		TITLE		
			2000/01/05		MCX JACK,PCB,SMT,75 OHMS MCX-J/PCB		
REV	DESCRIPTION	4 PLACES ± --- ± ---	TEF	2000/01/05	APPROVED BY DATE		
A4		3 PLACES ± --- ± ---	TEF	2000/01/05	GMH 2000/01/05		
		2 PLACES ± --- ± ---	APPROVED BY DATE		MATERIAL NO.		
		1 PLACE ± --- ± ---	GMH 2000/01/05		73414-0080		
		ANGULAR ± 2 °	DOCUMENT NO.		SD-73415-163		
		DRAFT WHERE APPLICABLE MUST REMAIN WITHIN DIMENSIONS	SHEET NO.		4 OF 4		
			THIS DRAWING CONTAINS INFORMATION THAT IS PROPRIETARY TO MOLEX INCORPORATED AND SHOULD NOT BE USED WITHOUT WRITTEN PERMISSION				