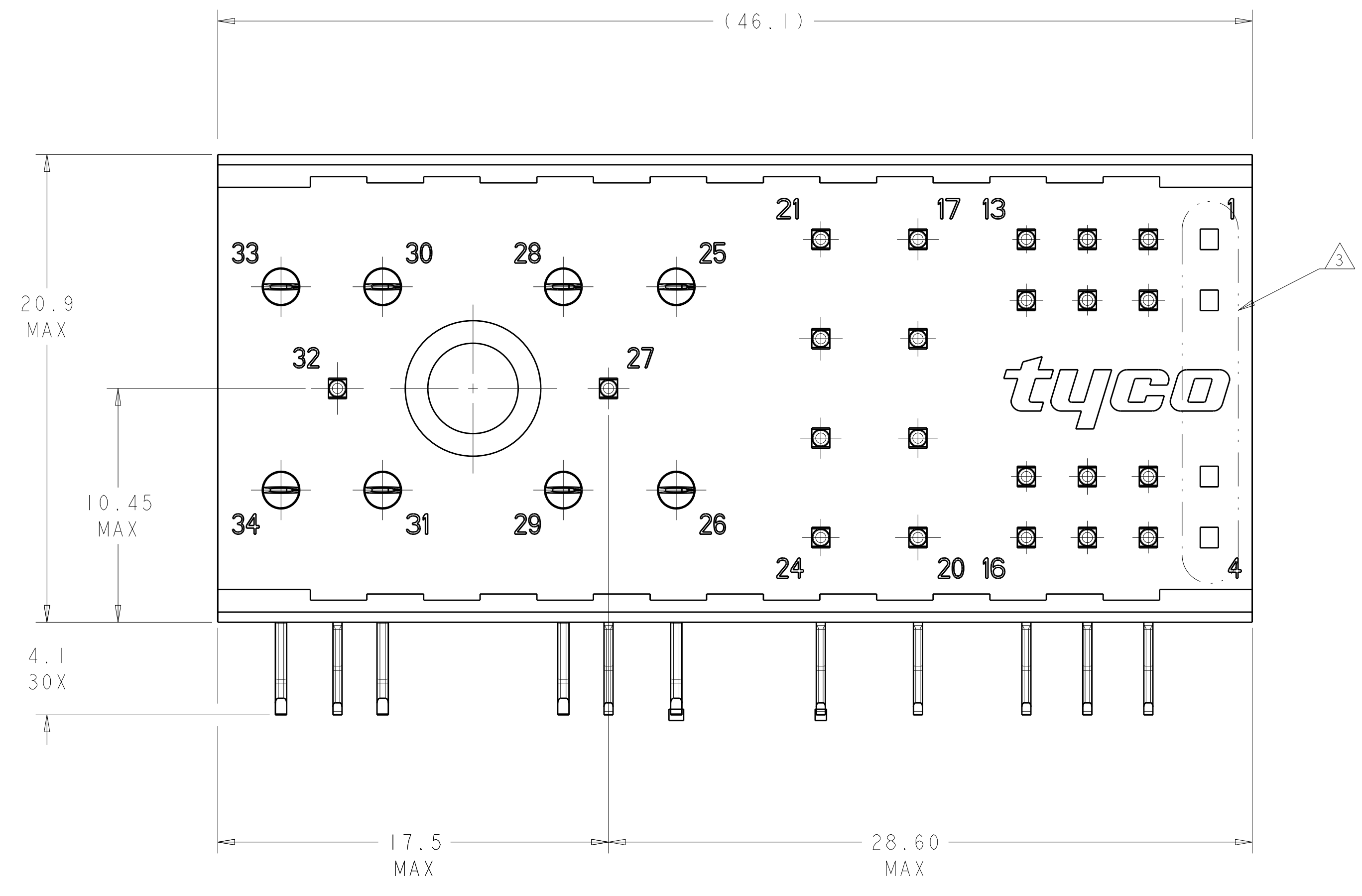
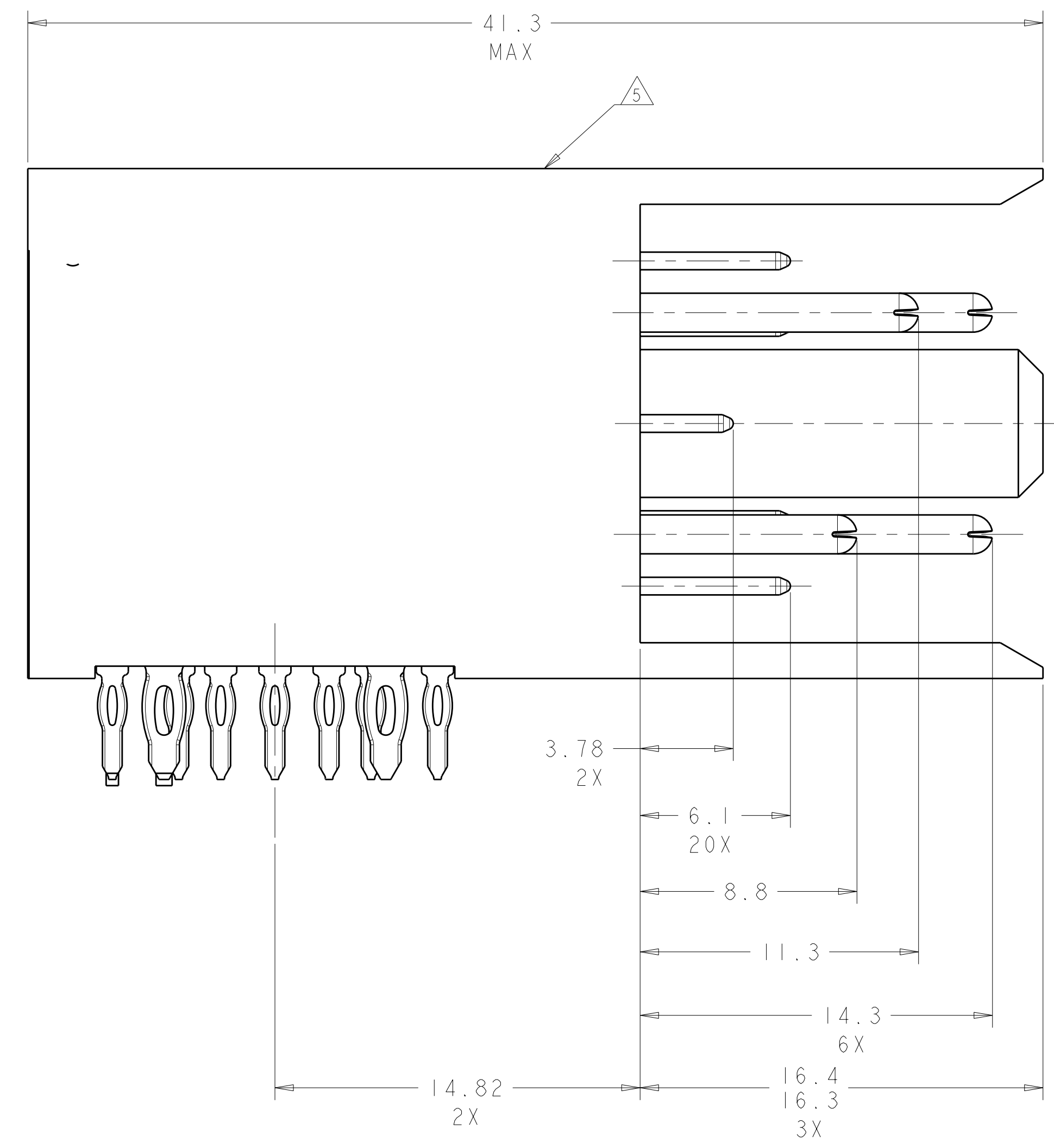


LOC	DIST	REV	DATE	BY	CHKD	APVD
GP	00	E1	19MAR2011	RK	HMR	
		E2	24NOV2011	OL	SZ	



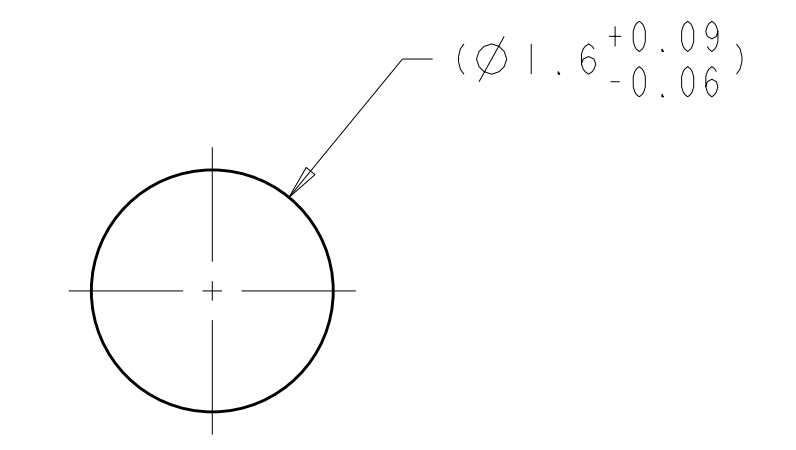
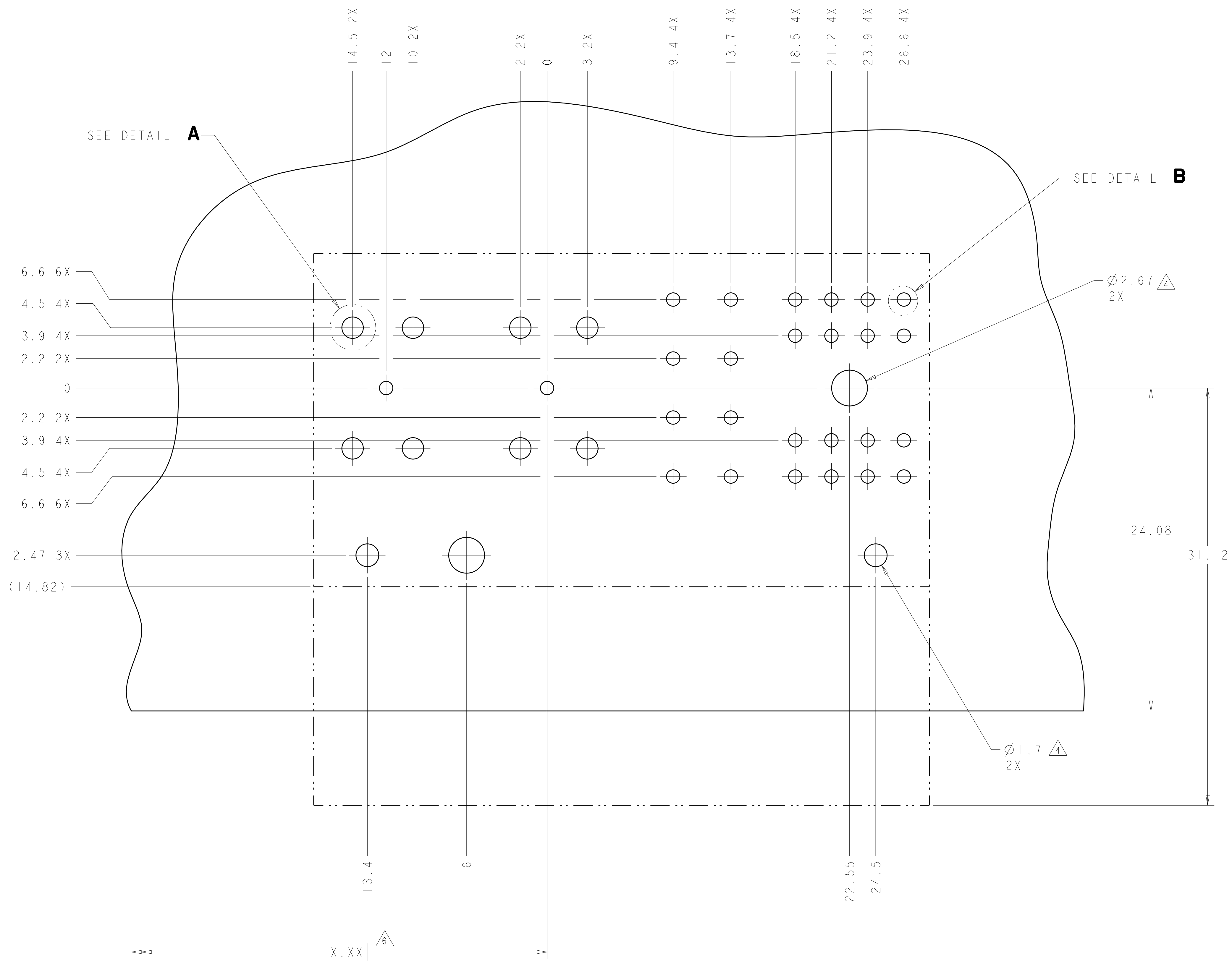
- 1 MATERIALS:**
 HOUSING: HIGH TEMP THERMOPLASTIC, UL94V-0, GRAY.
 SIGNAL CONTACTS: COPPER ALLOY
 POWER CONTACTS: COPPER ALLOY
- 2 CONTACT FINISH:**
 ALL OVER: 0.00127 MIN NICKEL
 COMPLIANT PIN AREA: 0.00127 MIN TIN
 MATING AREA: 0.00076 MIN GOLD
- 3 POSITIONS 1-4 ARE UNPOPULATED AND RESERVED FOR FUTURE USE.**
- 4 HOLES INDICATED ARE NOT REQUIRED FOR TE CONNECTIVITY PRODUCT.**
- 5 TE CONNECTIVITY PART NUMBER AND DATE CODE (YYWW) LOCATED ON SURFACE INDICATED.**
- 6 DATUM AND BASIC DIMENSION TO BE ESTABLISHED BY CUSTOMER.**
- 7 CONTACT FINISH:**
 ALL OVER: 0.00127 MIN NICKEL
 COMPLIANT PIN AREA: 0.00127 MIN TIN-LEAD
 MATING AREA: 0.00076 MIN GOLD
- 8 CONTACT MATING AREA LUBRICATED WITH BELLCORE APPROVED LUBRICANT.
 TECHNICAL REFERENCE: GR-1217-COR, ISSUE 1, NOVEMBER 1995**
- 9 CONTACT FINISH:**
 ALL OVER: 0.00127 MIN NICKEL
 COMPLIANT PIN AREA: 0.00127 MIN TIN
 MATING AREA: 0.00127 MIN GOLD

CONTACT POSN	PIN LENGTH
1-4	NOT USED
5-24	6.1
25,26,28-31	14.3
27,32	3.8
33	11.3
34	8.8

PLATING	MATING PIN DIAMETER	CONTACT QTY	SIZE NO	TYPE DESIGNATION	PART NO
E9	Ø 0.762	22	22	ZP-A-030M-P2-2B	1766500-3
	Ø 1.58	8	16	ZP-A-030M-P2-2B	1766500-2
E7	Ø 0.762	22	22	ZP-A-030M-P2-2B	1766500-2
	Ø 1.58	8	16	ZP-A-030M-P2-2B	1766500-1
E2	Ø 0.762	22	22	ZP-A-030M-P2-2B	1766500-1
	Ø 1.58	8	16	ZP-A-030M-P2-2B	1766500-1

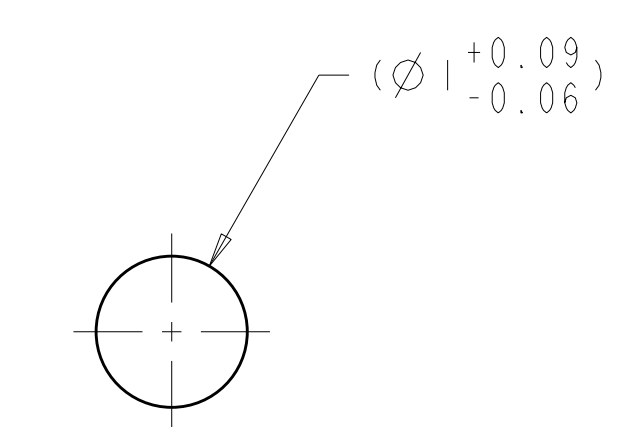
THIS DRAWING IS A CONTROLLED DOCUMENT.		DWN: 20MAY2005		NAME: ASSEMBLY, RT ANGLE, AdvancedTCA	
DIMENSIONS: mm		CHK: M. McALONIS 21AUG2006		SIZE: A100779	
TOLERANCES UNLESS OTHERWISE SPECIFIED:		APVD: M. McALONIS 21AUG2006		CAGE CODE: C=1766500	
9 PLC ±0.5		PRODUCT SPEC: 108-2216		RESTRICTED TO: -	
3 PLC ±0.13		APPLICATION SPEC: 114-13156		SCALE: 6:1	
5 PLC ±0.013		WEIGHT: -		SHEET 1 OF 2	
4 PLC ±0.001		CUSTOMER DRAWING		REV: E2	
ANGLES ±0.001					
FINISH: 1 2 7					

LOC	DIST	REV	DATE	BY	APPD
GP	00				
REVISIONS			DESCRIPTION	DATE	DWN
			SEE SHEET 1		



DETAIL A
 SCALE 20:1
 8X (SIZE 16)

FINISHED HOLE: $\varnothing 1.6^{+0.09}_{-0.06}$
 DRILLED HOLE: $\varnothing 1.75 \pm 0.025$
 COPPER PLATE: 0.025 MIN (PER SURFACE)
 TIN PLATE: 0.008 MIN (PER SURFACE)



DETAIL B
 SCALE 20:1
 26X (SIZE 22)

FINISHED HOLE: $\varnothing 1^{+0.09}_{-0.06}$
 DRILLED HOLE: $\varnothing 1.15 \pm 0.025$
 COPPER PLATE: 0.025 MIN (PER SURFACE)
 TIN PLATE: 0.008 MIN (PER SURFACE)

RECOMMENDED PCB LAYOUT
 VIEWED FROM CONNECTOR SIDE

THIS DRAWING IS A CONTROLLED DOCUMENT.		DWN: HAMNER 20MAY2005	TE Connectivity	
DIMENSIONS: mm		CHK: M. McALONIS 21AUG2006		
		APVD: M. McALONIS 21AUG2006	NAME: ASSEMBLY, RT ANGLE, AdvancedTCA	
TOLERANCES UNLESS OTHERWISE SPECIFIED:		PRODUCT SPEC: 108-2216	SIZE: CAGE CODE: DRAWING NO: A1100779 C=1766500	
0 PLC ± 1 PLC ±0.5 2 PLC ±0.13 3 PLC ±0.013 4 PLC ±0.001 ANGLES ±0.0001		APPLICATION SPEC: 114-13156	RESTRICTED TO: -	
MATERIAL: FINISH: X.XX		WEIGHT: -	SCALE: 6:1 SHEET: 2 OF 2 REV: E2	
CUSTOMER DRAWING				