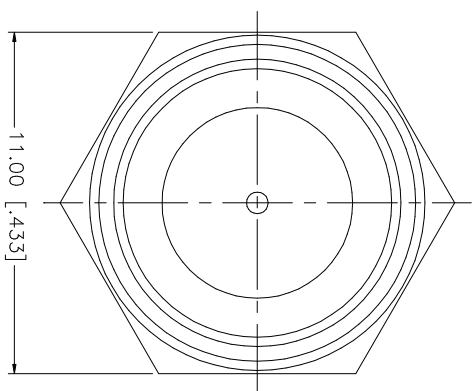
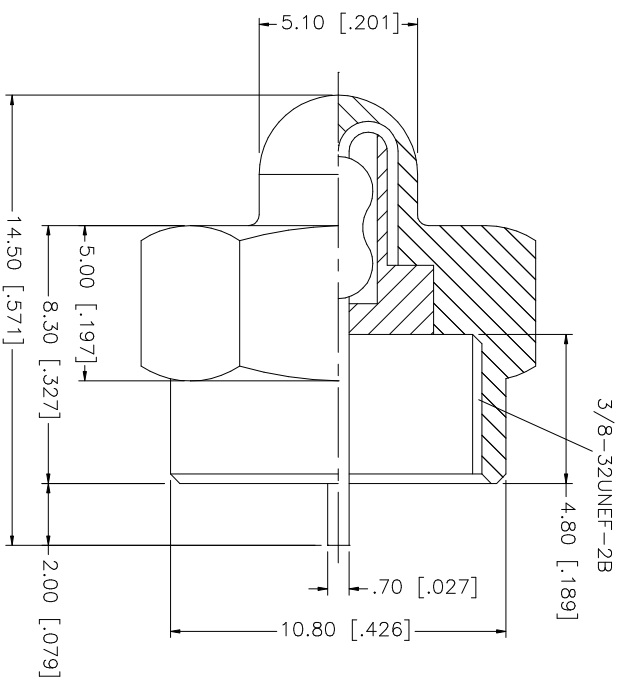


REV.	DATE	DESCRIPTION
A	04/09/03	UPDATE PART DESCRIPTION
B	07/29/06	REVISE CONTACT PIN PLATING TO NICKEL



NOTES:

1. RESISTOR: 75ohms - 1/8 WATT 1%
2. FREQUENCY: 0 - 3 Ghz
3. RETURN LOSS: 30 DB AT 1 Ghz

Amphenol Connex

F MALE TERMINATOR

8																				
7																				
6																				
5																				
4																				
3	INSULATOR	TEFLON	NATURAL	1																
2	CONTACT PIN	STEEL	NICKEL	1																
1	HOUSING/BODY	DIECAST	NICKEL	1																
	DESCRIPTION	MATERIAL	FINISH	QTY																

UNLESS OTHERWISE SPECIFIED DIMENSIONS ARE IN MILLIMETERS DIMENSIONS IN [] ARE IN INCHES AND FOR CUSTOMER REFERENCE ONLY.
 UNLESS OTHERWISE SPECIFIED TOLERANCES FOR MILLIMETERS ARE:
 0.5 - 8mm ± 0.20mm
 8 - 30mm ± 0.40mm
 30 - 120mm ± 0.50mm
 UNLESS OTHERWISE SPECIFIED TOLERANCES FOR INCHES ARE:
 .020 - .315 = ± 0.007"
 .315 - 1.180 = ± 0.015"
 1.180 - 4.724 = ± 0.020"
 DO NOT SCALE DRAWING

APPROVALS		DATE
DRAWN	G.R.S.	07/29/06
CHECKED		
ISSUED		
SHEET	1 OF 1	

CAD FILE	C:/222/222154.DWG	DWG. NO.	222154.DWG	REV.	B	SIZE	A	SCALE	NA
PART NO.	222154								