

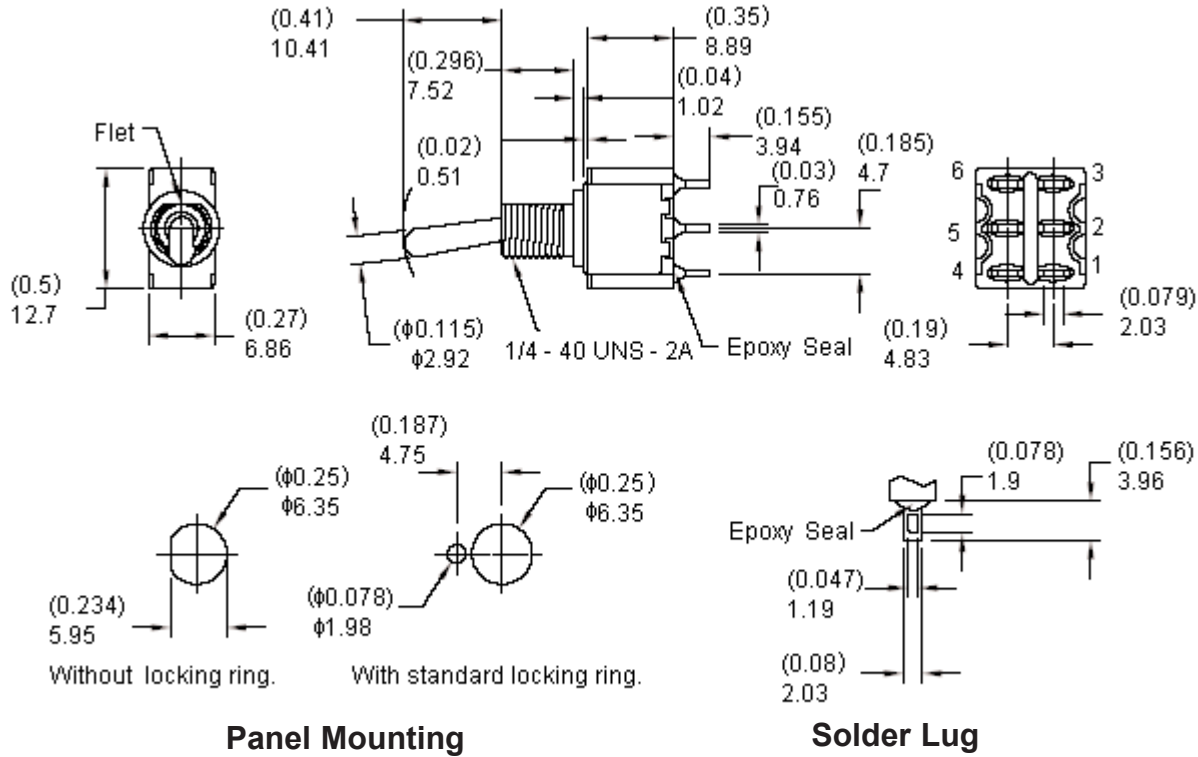


PART NO.

1MD1T1B5M1QE

REVISIONS

ECN #	REV	DESCRIPTION	DRAWN	DATE	CHECKD	DATE	APPRVD	DATE
-	A	RELEASED	Ashok	18/01/12	Jagan	18/01/12	Farnell	01/02/12



Important Notice : This data sheet and its contents (the "Information") belong to the members of the Premier Farnell group of companies (the "Group") or are licensed to it. No licence is granted for the use of it other than for information purposes in connection with the products to which it relates. No licence of any intellectual property rights is granted. The Information is subject to change without notice and replaces all data sheets previously supplied. The Information supplied is believed to be accurate but the Group assumes no responsibility for its accuracy or completeness, any error in or omission from it or for any use made of it. Users of this data sheet should check for themselves the Information and the suitability of the products for their purpose and not make any assumptions based on information included or omitted. Liability for loss or damage resulting from any reliance on the Information or use of it (including liability resulting from negligence or where the Group was aware of the possibility of such loss or damage arising) is excluded. This will not operate to limit or restrict the Group's liability for death or personal injury resulting from its negligence. Multicomp is the registered trademark of the Group. © Premier Farnell plc 2012.

TOLERANCES: UNLESS OTHERWISE SPECIFIED, DIMENSIONS ARE FOR REFERENCE PURPOSES ONLY.	DRAWN BY: Ashok	DATE: 18/01/12	DRAWING TITLE: 1MD1T1B5M1QE - Miniature Toggle Switches			
	CHECKED BY: Jagan	DATE: 18/01/12	SIZE A	DWG NO. M10002039	ELECTRONIC FILE 39980_DWG	REV A
	APPROVED BY:	DATE: 01/02/12	SCALE: NTS		U.O.M.: mm (Inches)	SHEET: 1 OF 3



PART NO.

1MD1T1B5M1QE

REVISIONS

ECN #	REV	DESCRIPTION	DRAWN	DATE	CHECKD	DATE	APPRVD	DATE
-	A	RELEASED	Ashok	18/01/12	Jagan	18/01/12	Farnell	01/02/12

Specifications:

Electric life : 40,000 make-and-break cycles at full load
 Maximum contact resistance : 10 mΩ initial at 2 to 4 V dc
 : 100 mA for both silver and gold plated contacts
 Minimum insulation resistance : 1,000 MΩ
 Dielectric strength : 1,000 Vrms at sea level
 Operating temperature : -30°C to 85°C

Materials

Case : Dially phthalate (DAP)
 Actuator : Brass, chrome plated
 Bushing : Brass, nickel plated
 Housing : Stainless steel
 Terminal/contact : Silver or gold plated

Rating

Q : 2 amperes at 250 V ac
 : 5 amperes at 120 V ac or 28 V dc

Important Notice : This data sheet and its contents (the "Information") belong to the members of the Premier Farnell group of companies (the "Group") or are licensed to it. No licence is granted for the use of it other than for information purposes in connection with the products to which it relates. No licence of any intellectual property rights is granted. The Information is subject to change without notice and replaces all data sheets previously supplied. The Information supplied is believed to be accurate but the Group assumes no responsibility for its accuracy or completeness, any error in or omission from it or for any use made of it. Users of this data sheet should check for themselves the Information and the suitability of the products for their purpose and not make any assumptions based on information included or omitted. Liability for loss or damage resulting from any reliance on the Information or use of it (including liability resulting from negligence or where the Group was aware of the possibility of such loss or damage arising) is excluded. This will not operate to limit or restrict the Group's liability for death or personal injury resulting from its negligence. Multicomp is the registered trademark of the Group. © Premier Farnell plc 2012.

TOLERANCES: UNLESS OTHERWISE SPECIFIED, DIMENSIONS ARE FOR REFERENCE PURPOSES ONLY.	DRAWN BY:	DATE:	DRAWING TITLE: 1MD1T1B5M1QE - Miniature Toggle Switches			
	Ashok	18/01/12				
	CHECKED BY:	DATE:	SIZE	DWG NO.	ELECTRONIC FILE	REV
	Veena	18/01/12	A	M10002039	39980_DWG	A
APPROVED BY:	DATE:	SCALE: NTS		U.O.M.: mm (Inches)		SHEET: 2 OF 3
	01/02/12					



PART NO.

1MD1T1B5M1QE

REVISIONS

ECN #	REV	DESCRIPTION	DRAWN	DATE	CHECKD	DATE	APPRVD	DATE
-	A	RELEASED	Ashok	18/01/12	Jagan	18/01/12	Farnell	01/02/12

Switch Function

	Position 1	Position 2	Position 3
Model Number			
1MD1	On	None	On
Term. Comm.	2 - 3, 5 - 6	Open	2 - 1, 5 - 4
Schematic			

Part Number Table

Description	Part Number
Switch, DPDT, 5A, 250V	1MD1T1B5M1QE

www.element14.com
www.farnell.com
www.newark.com

Important Notice : This data sheet and its contents (the "Information") belong to the members of the Premier Farnell group of companies (the "Group") or are licensed to it. No licence is granted for the use of it other than for information purposes in connection with the products to which it relates. No licence of any intellectual property rights is granted. The Information is subject to change without notice and replaces all data sheets previously supplied. The Information supplied is believed to be accurate but the Group assumes no responsibility for its accuracy or completeness, any error in or omission from it or for any use made of it. Users of this data sheet should check for themselves the information and the suitability of the products for their purpose and not make any assumptions based on information included or omitted. Liability for loss or damage resulting from any reliance on the Information or use of it (including liability resulting from negligence or where the Group was aware of the possibility of such loss or damage arising) is excluded. This will not operate to limit or restrict the Group's liability for death or personal injury resulting from its negligence. Multicomp is the registered trademark of the Group. © Premier Farnell plc 2012.

TOLERANCES:

UNLESS OTHERWISE SPECIFIED, DIMENSIONS ARE FOR REFERENCE PURPOSES ONLY.

DRAWN BY:	DATE:
Ashok	18/01/12
CHECKED BY:	DATE:
Veena	18/01/12
APPROVED BY:	DATE:
	01/02/12

DRAWING TITLE:

1MD1T1B5M1QE - Miniature Toggle Switches

SIZE A	DWG NO. M10002039	ELECTRONIC FILE 39980_DWG	REV A
SCALE: NTS		U.O.M.: mm (Inches)	SHEET: 3 OF 3