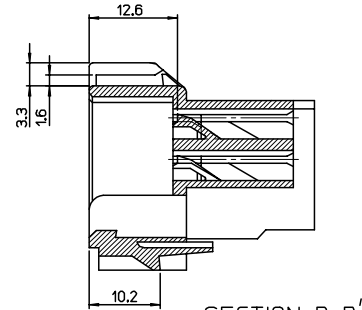
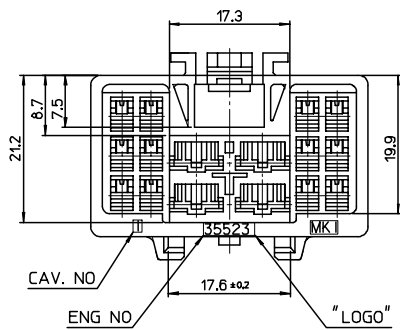
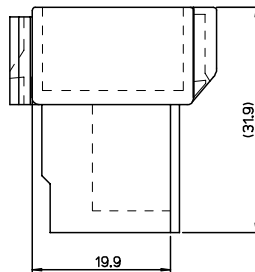
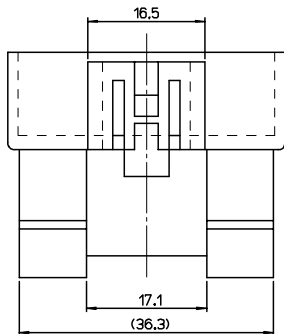


SECTION A-A'



SECTION B-B'

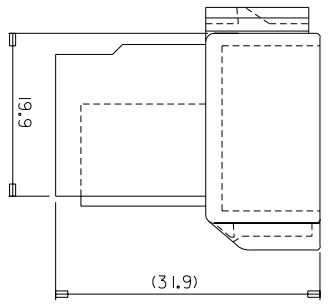
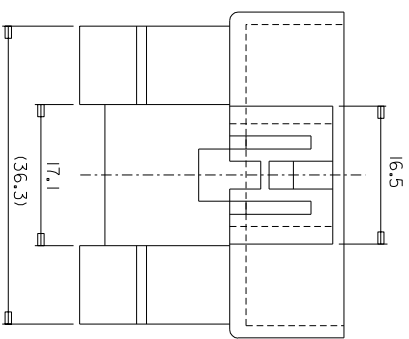
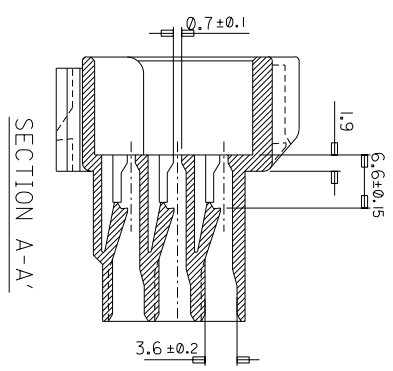
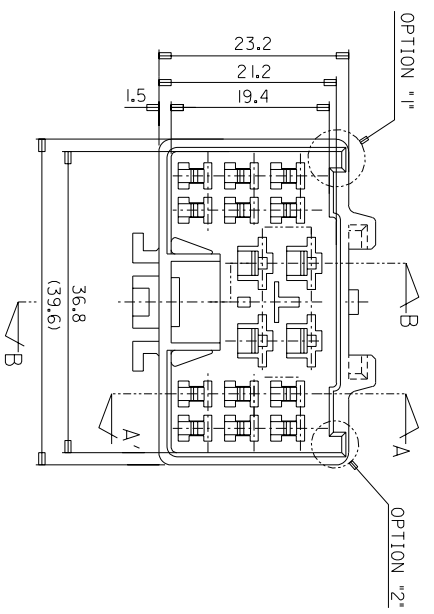
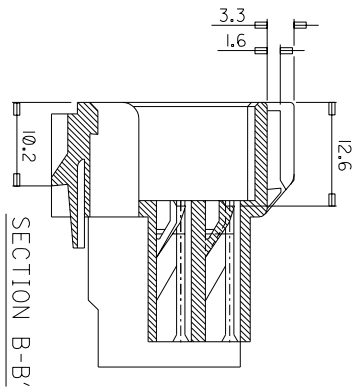


NOTE

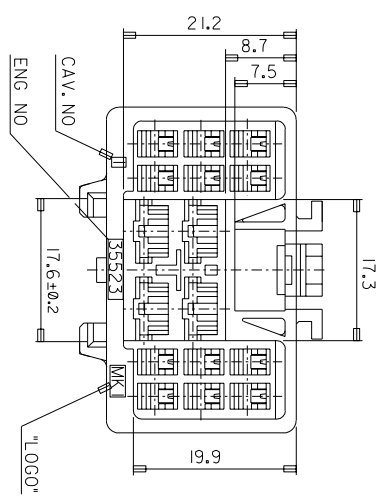
1. MATERIAL: POLYESTER
2. COLOR : SEE TABLE
3. APPLICABLE TERMINAL: 35408-9*02
35725-***0
4. APPLICABLE HOUSING: 35519-1600/1601
5. PRODUCT SPECIFICATION : PS-35523-0001

PART NO.	COLOR	REMARKS
35523-1600	NATURAL	OPTION "1"
35523-1601	BLACK	OPTION "2"

REVISED EC NO: KOR2007-0108 DRW: NEEKIM 2007/04/13 CHK: BCYON 2007/04/13 APPR: YUNSIKIM 2007/04/13	QUALITY SYMBOLS ▽=0 ▽=0	GENERAL TOLERANCES (UNLESS SPECIFIED)		DIMENSION STYLE MM ONLY		SCALE 2:1	DESIGN UNITS METRIC	THIRD ANGLE PROJECTION	
		4 PLACES ± ---	± ---	mm	INCH	DRAWN BY CYCHO	DATE 1998/05/15	TITLE 090/250 HYBRID MALE HOUSING(16P)	
C	DESCRIPTION	3 PLACES ± ---	± ---			CHECKED BY BKCHOI	DATE 1998/05/15	MOLEX INCORPORATED	
		2 PLACES ± 0.2	± ---			APPROVED BY CWLEE	DATE 1998/05/15	MATERIAL NO. 355231600	DOCUMENT NO. SD-35523-001
		1 PLACE ± 0.3	± ---					SHEET NO. 1 OF 01	
		ANGULAR ± 1 °							
		DRAFT WHERE APPLICABLE MUST REMAIN WITHIN DIMENSIONS							
				SIZE A2		THIS DRAWING CONTAINS INFORMATION THAT IS PROPRIETARY TO MOLEX INCORPORATED AND SHOULD NOT BE USED WITHOUT WRITTEN PERMISSION			



- NOTE
1. MATERIAL : POLYESTER (PBT)
 2. COLOR : SEE TABLE
 3. APPLICABLE TERMINAL : 35408-0*02
35725-***0
 4. APPLICABLE HOUSING : 35519-1600/1601.
 5. PRODUCT SPECIFICATION : PS-35523-0001



* TABLE

PART NO.	COLOR	REMARKS
E 35523-1600	NATURAL	WITH OPTION "1"
E 35523-1601	BLACK	WITH OPTION "2"

REV	DESCRIPTION	QUALITY SYMBOLS	GENERAL TOLERANCES: UNLESS SPECIFIED	SCALE	DESIGN UNITS	THIRD ANGLE PROJECTION	SHT	REV
B	REVISD EC NO. KOR 1998-0116 DRWN: C.Y.CHO CHK: B.K.CHOI APPR: C.W.LEE	MAJOR CRITICAL C	MM INCH 4 PLACES ±0.1 3 PLACES ±0.2 2 PLACES ±0.3 1 PLACE ±0.3	1:51	MM INCH	<input checked="" type="checkbox"/> THIRD ANGLE PROJECTION		
DRAWN BY & DATE C.Y.CHO 1998/05/15		CHECKED BY & DATE B.K.CHOI 1998/05/15		APPROVED BY & DATE C.W.LEE 1998/05/15		MATERIAL NO. SD 35523-160*		SHEET NO. 1/1
DRAWING NO. SD 35523-160*		TITLE: 090/250 HYBRID MALE HOUSING (16P)		MATERIAL NO. SD 35523-160*		DRAWING NO. SD 35523-160*		SIZE C
DRAFT WHERE APPLICABLE MUST REMAIN WITHIN DIMENSIONS		THIS DRAWING CONTAINS PROPRIETARY INFORMATION THAT IS PROPRIETARY TO MOLEX INCORPORATED AND SHOULD NOT BE USED WITHOUT WRITTEN PERMISSION.		MATERIAL NO. SD 35523-160*		DRAWING NO. SD 35523-160*		