

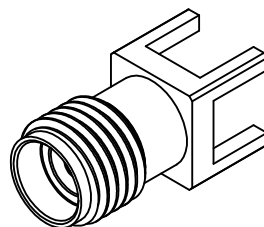
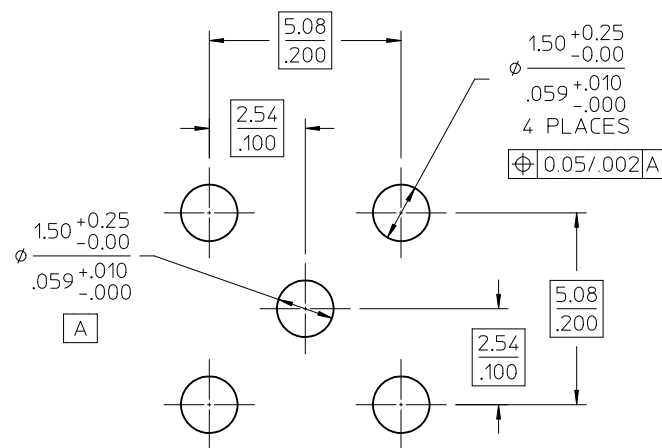
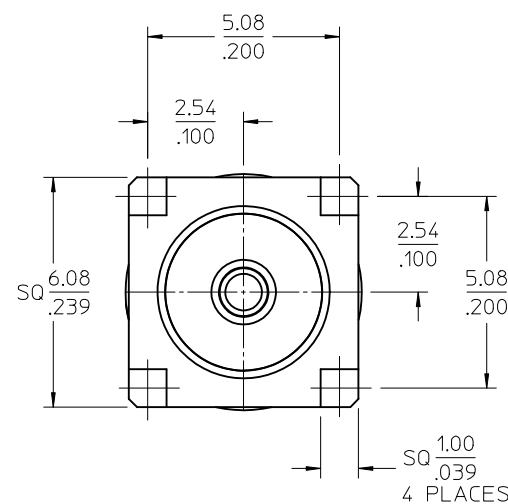
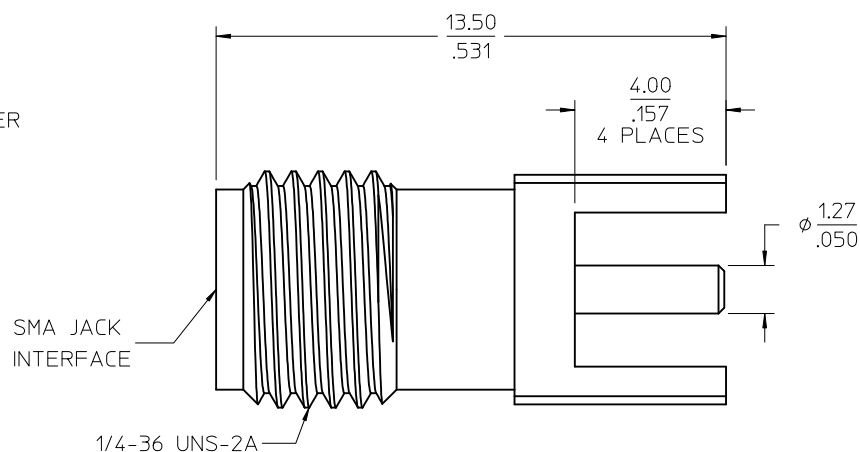
MATERIALS AND FINISHES

BODY BRASS  
PLATED GOLD

CENTER CONTACT BERYLLIUM COPPER  
PLATED GOLD

INSULATOR TEFLON

WILL WITHSTAND REFLOW  
TEMPERATURE OF  
265°C ± 5°C



RECOMMENDED MOUNTING HOLE

73251-3141	73391-0060 BY TRAY 20 CAVITIES
73251-3140	73391-0060 SINGLE BAG
73391-0060	BY TRAY 80 CAVITIES
PART NO.	DESCRIPTION

PS-89675-3460	ELEC/MECH PERFORMANCE
SPECIFICATION	DESCRIPTION

CHG: UPDATED VIEW AND PACKAGING PER RF12-E069 EC NO: URF2012-0609 DRWR:YEH 2012/04/17 CHKD: APPR:HUANG 2012/05/11 REV:	QUALITY SYMBOLS ▽=0 ▽=0 ▽=0	GENERAL TOLERANCES (UNLESS SPECIFIED) <table border="1"> <thead> <tr> <th></th> <th>mm</th> <th>INCH</th> </tr> </thead> <tbody> <tr> <td>4 PLACES</td> <td>± .005</td> <td>± .0005</td> </tr> <tr> <td>3 PLACES</td> <td>± .005</td> <td>± .0005</td> </tr> <tr> <td>2 PLACES</td> <td>± .005</td> <td>± .0005</td> </tr> <tr> <td>1 PLACE</td> <td>± .005</td> <td>± .0005</td> </tr> <tr> <td>0 PLACE</td> <td>± .005</td> <td>± .0005</td> </tr> </tbody> </table> ANGULAR ± 2 ° DRAFT WHERE APPLICABLE MUST REMAIN WITHIN DIMENSIONS		mm	INCH	4 PLACES	± .005	± .0005	3 PLACES	± .005	± .0005	2 PLACES	± .005	± .0005	1 PLACE	± .005	± .0005	0 PLACE	± .005	± .0005	DIMENSION STYLE MM/IN DRAWN BY IRIS WANG DATE 1997/5/30 CHECKED BY BEN LEE DATE 1999/2/22 APPROVED BY MISEN DATE 1999/2/22	SCALE 12:1 DESIGN UNITS METRIC THIRD ANGLE PROJECTION	TITLE SMA JACK STR PCB TH SMA-J/PCB <b>molex</b>	DOCUMENT NO. SD-73391-0060 SHEET NO. 1 OF 1
		mm	INCH																					
4 PLACES	± .005	± .0005																						
3 PLACES	± .005	± .0005																						
2 PLACES	± .005	± .0005																						
1 PLACE	± .005	± .0005																						
0 PLACE	± .005	± .0005																						
MATERIAL NO. SEE TABLE		THIS DRAWING CONTAINS INFORMATION THAT IS PROPRIETARY TO MOLEX INCORPORATED AND SHOULD NOT BE USED WITHOUT WRITTEN PERMISSION																						