

10 9 8 7 6 5 4 3 2 1

NOTES:

1- MATERIAL:

HOUSING: POLYAMIDE 4/6 GLASS FILLED
 UL-94V0 , COLOR BLACK.
 TERMINAL: PHOSPHOR BRONZE PLATED WITH:
 0.00127/.000050 MIN GOLD IN CONTACT AREA,
 0.00190/.000075 MIN PURE TIN IN TAIL AREA,
 BOTH OVER 0.00127/.000050 MIN NICKEL OVERALL.
 SOLDER TABS: BRASS PLATED WITH 0.0020/.000078 MIN TIN.

2- JACK FOR MATING WITH F.C.C.68 PLUGS.
 (MOLEX 90075 SERIES).

3- PRODUCT SPECIFICATION: MOLEX PS-85502.

4- APPLICATION SPECIFICATION: MOLEX AS-95001.

5- POLYIMIDE ADHESIVE TAPE FOR PICK & PLACE SURFACE.
 THICKNESS: 125 μm / 4921 μ''

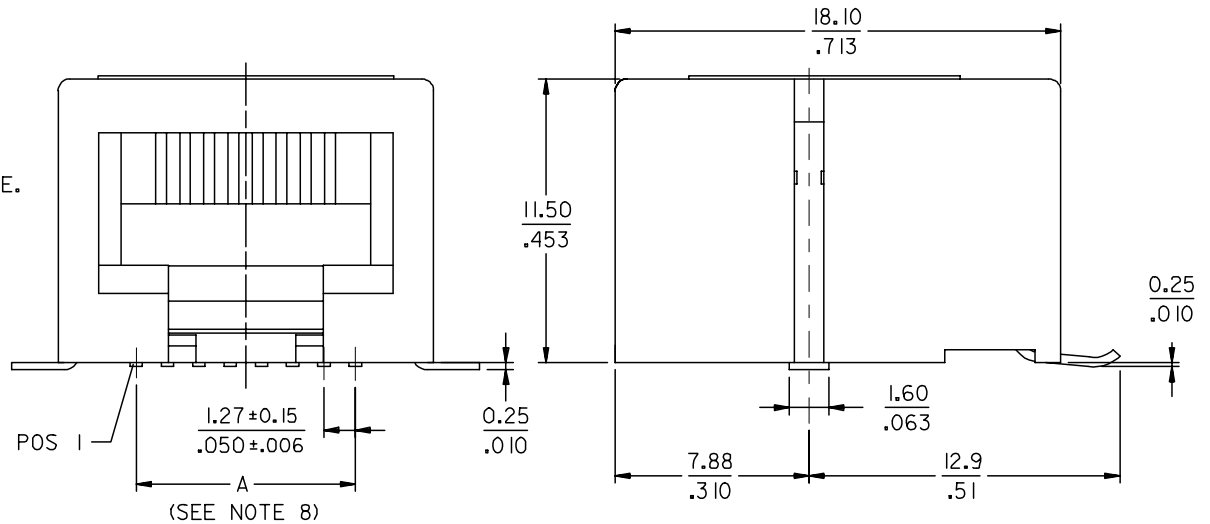
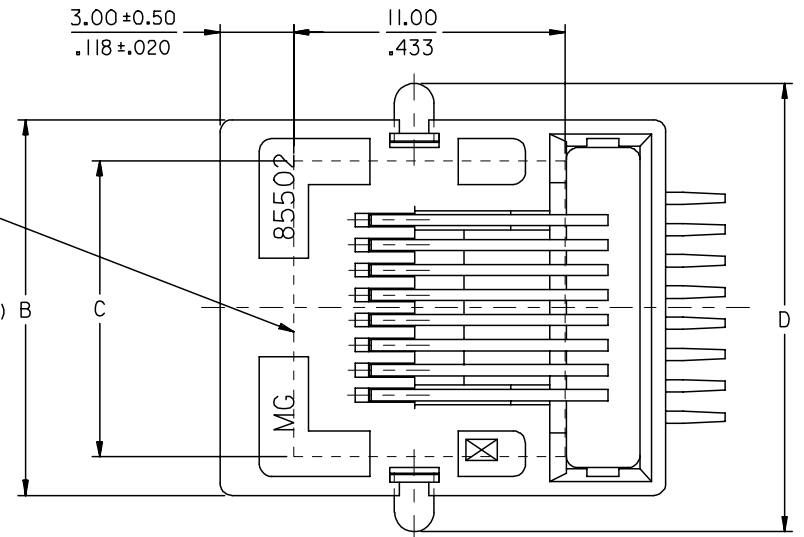
6- PACKAGING SPECIFICATION: MOLEX PK-85502.
 (BLISTER PACKAGING).

7- COPLANARITY OF SIGNAL LEADS: 0.10/.004

8- SEE DIMENSIONS IN CHART ON SHEET 2.

SEE NOTE 5

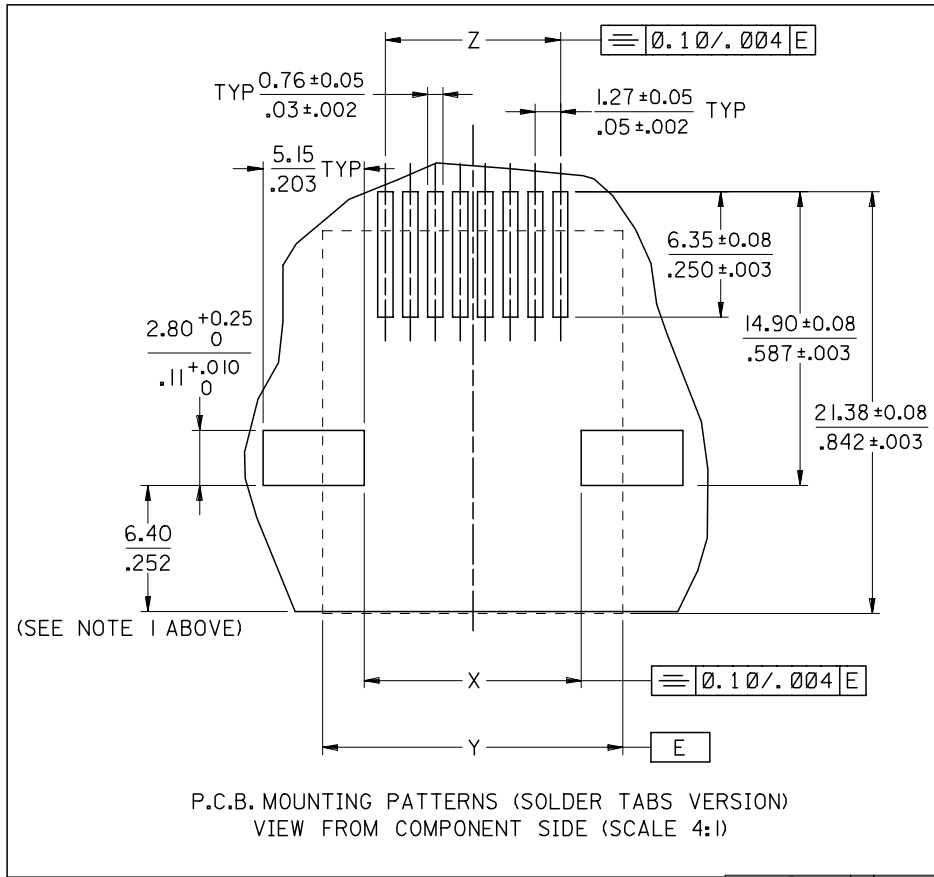
(SEE NOTE 8) B



ENTER DESCRIPTION EC NO: MG2005-0145 DRAWN: CEBASTI 2004/10/20 CHKD: FCARABET 2004/10/20 APPR: KNOLLER 2004/11/02	QUALITY SYMBOLS ▽=0 ▽=0	GENERAL TOLERANCES (UNLESS SPECIFIED)		DIMENSION STYLE MM/IN		SCALE 5:1	DESIGN UNITS METRIC	THIRD ANGLE PROJECTION		
		4 PLACES	± ---	± ---	DRAWN BY FB	DATE 96/04/02	TITLE R/A LOW PROFILE TRUE SMT 4,6 & 8 CONTACTS PC JACK WITH SIDE SOLDER TABS			
		3 PLACES	± ---	± .010	CHECKED BY FB	DATE 96/04/02				
		2 PLACES	± 0.25	± .014	APPROVED BY JB	DATE 96/04/02	MOLEX INCORPORATED			
1 PLACE	± 0.35	± ---	MATERIAL NO.		DOCUMENT NO.		SHEET NO.			
ANGULAR ± 2 °		DRAFT WHERE APPLICABLE MUST REMAIN WITHIN DIMENSIONS		SEE CHART SHT 2		SD-85502-001		1 OF 2		
THIS DRAWING CONTAINS INFORMATION THAT IS PROPRIETARY TO MOLEX INCORPORATED AND SHOULD NOT BE USED WITHOUT WRITTEN PERMISSION										

9 8 7 6 5 4 3 2 1

NOTE 1: RECOMMENDED DISTANCE FROM THE PCB'S EDGE



PART NUMBERS FOR TRUE SMT JACK WITH SOLDER TABS								
HOUSING COLOR	POS 4	TOOLED	POS 6	TOOLED	POS 6	TOOLED	POS 8	TOOLED
	4 CKTS		4 CKTS		6 CKTS		8 CKTS	
STANDARD VERSION	BLACK	85502-0005	85502-0006	85502-0007	85502-0008			

TYPE	POS 4	POS 6		POS 8
	4 CKTS	4 CKTS	6 CKTS	8 CKTS
A ±0.15/.006	3.81 / .150	3.81 / .150	6.35 / .250	8.89 / .350
B	11.18 / .440	13.21 / .520	13.21 / .520	15.24 / .600
C	8.50 / .335	8.50 / .335	8.50 / .335	12.00 / .472
D ±0.35/.014	14.13 / .556	16.16 / .636	16.16 / .636	18.19 / .716
X ±0.10/.004	6.94 / .273	8.97 / .353	8.97 / .353	11.00 / .433
Y (REF)	11.18 / .440	13.21 / .520	13.21 / .520	15.24 / .600
Z ±0.05/.002	3.81 / .150	3.81 / .150	6.35 / .250	8.89 / .350

P.C.B. MOUNTING PATTERNS (SOLDER TABS VERSION)
VIEW FROM COMPONENT SIDE (SCALE 4:1)

ENTER DESCRIPTION	QUALITY SYMBOLS
EC NO: MG2005-0145 DRAWN: CSEBASTI 2004/10/20 CHKD: FCARABET 2004/10/20 APPR: KNOLLER 2004/11/02	=0 <=0
DESCRIPTION	
REV	

GENERAL TOLERANCES (UNLESS SPECIFIED)	DIMENSION STYLE	SCALE	DESIGN UNITS	THIRD ANGLE PROJECTION																		
<table border="1"> <tr> <th></th> <th>mm</th> <th>INCH</th> </tr> <tr> <td>4 PLACES</td> <td>± ---</td> <td>± ---</td> </tr> <tr> <td>3 PLACES</td> <td>± ---</td> <td>± .010</td> </tr> <tr> <td>2 PLACES</td> <td>± 0.25</td> <td>± .014</td> </tr> <tr> <td>1 PLACE</td> <td>± 0.35</td> <td>± ---</td> </tr> <tr> <td colspan="3">ANGULAR ± 2 °</td> </tr> </table>		mm	INCH	4 PLACES	± ---	± ---	3 PLACES	± ---	± .010	2 PLACES	± 0.25	± .014	1 PLACE	± 0.35	± ---	ANGULAR ± 2 °			MM/IN	5:1	METRIC	
	mm	INCH																				
4 PLACES	± ---	± ---																				
3 PLACES	± ---	± .010																				
2 PLACES	± 0.25	± .014																				
1 PLACE	± 0.35	± ---																				
ANGULAR ± 2 °																						
DRAWN BY: FB	DATE: 96/04/02	TITLE: R/A LOW PROFILE TRUE SMT 4 & 8 CONTACTS PC JACK WITH SIDE SOLDER TABS																				
CHECKED BY: FB	DATE: 96/04/02	MOLEX INCORPORATED																				
APPROVED BY: JB	DATE: 96/04/02	DOCUMENT NO. SD-85502-001																				
MATERIAL NO.	SEE CHART	SHEET NO. 2 OF 2																				
DRAFT WHERE APPLICABLE MUST REMAIN WITHIN DIMENSIONS																						

	THIS DRAWING CONTAINS INFORMATION THAT IS PROPRIETARY TO MOLEX INCORPORATED AND SHOULD NOT BE USED WITHOUT WRITTEN PERMISSION
--	---