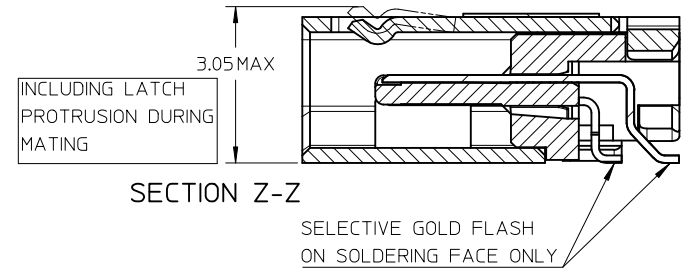
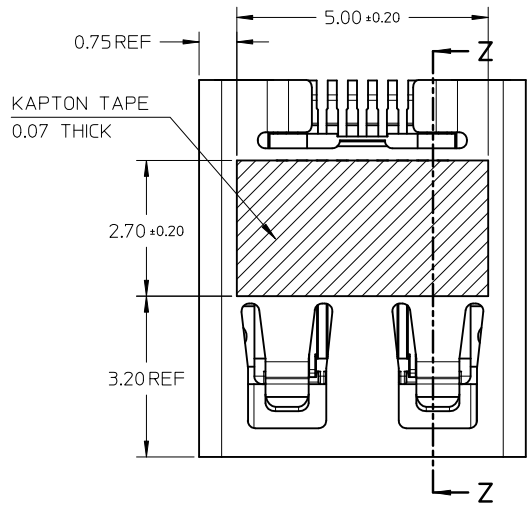
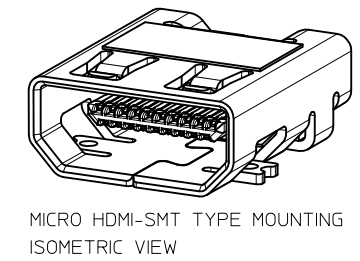
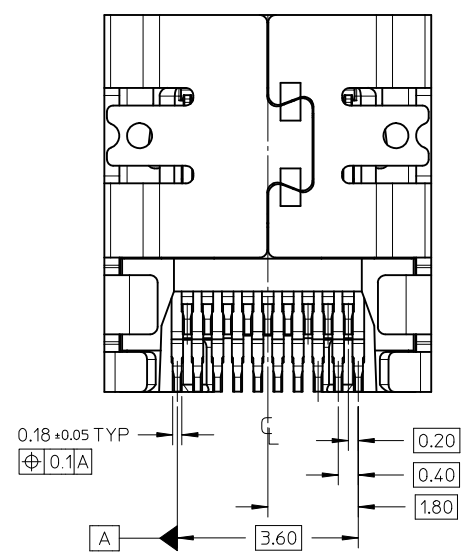


D	PG4/5,modify keepout zone.pg1,2,3/5 add blackhsg p/n	28.Nov.2011
REV NO	DESCRIPTION	DATE

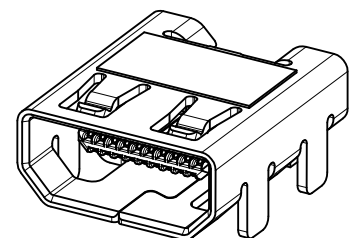
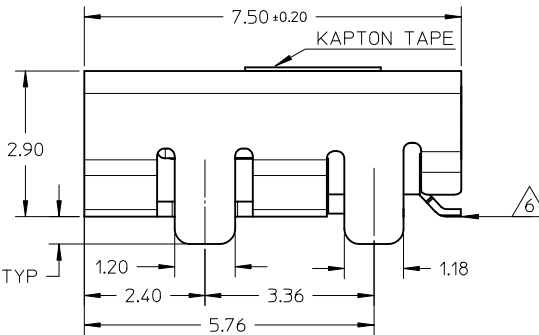
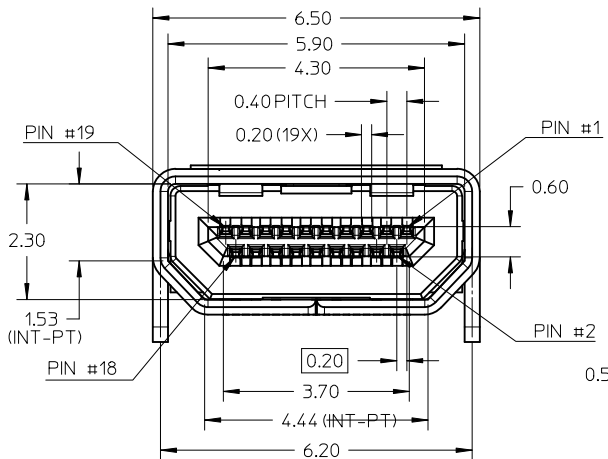


- NOTES:
- MATERIALS:  
HOUSING: LCP, 30% GLASS FILLED, UL94V-0  
TERMINALS: COPPER ALLOY  
SHIELD: STAINLESS STEEL
  - FINISHES:  
TERMINALS: GOLD ON CONTACT AREA (Refer Table),  
0.05UM MIN GOLD FLASH ON SOLDER TAILS,  
AND 2.0UM MIN NICKEL UNDERPLATE OVERALL  
SHIELD: MATTE TIN (Refer Table) OVER 1.27UM MIN NICKEL
  - PRODUCT SPECIFICATION: PS-46765-001
  - PACKAGING SPECIFICATION: PACKED IN TAPE & REEL
  - SEE SHEET 4 OF 5 FOR RECOMMENDED PCB LAYOUT
  - TERMINAL SOLDER-TAIL COPLANARITY 0.08 MAX

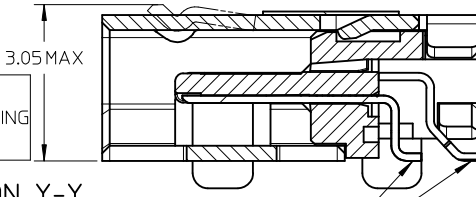


DESCRIPTION	Contact: 0.76µM Gold Min Shield: 3.8µM Tin Min PART NUMBER	Contact: 0.38µM Gold Min Shield: 2.0µM Tin Min PART NUMBER
SMT TYPE+KAPTON TAPE	46765-0001	46765-0301
SMT TYPE+BLACK HSG+KAPTON TAPE	--	46765-0302
SMT TYPE	46765-0011	46765-0311
SMT TYPE+BLACK HSG	--	46765-0312

RELEASED EC NO: S2012-0444 DRWN: CWANG25 2011/10/24 CH'K'D: JKOH 2011/12/02 APPR: NAGESHKN 2011/12/02	QUALITY SYMBOLS 	GENERAL TOLERANCES (UNLESS SPECIFIED)		DIMENSION STYLE <b>MM ONLY</b>	SCALE <b>NTS</b>	DESIGN UNITS <b>METRIC</b>	THIRD ANGLE PROJECTION
		4 PLACES ± --- ± --- 3 PLACES ± --- ± --- 2 PLACES ± 0.1 ± --- 1 PLACE ± --- ± --- ANGULAR ± 2 °	mm INCH DRAWN BY: MKAMARAU CHECKED BY: MKAMARAU APPROVED BY: NAGESHKN MATERIAL NO.	DATE: 2008/10/14 DATE: 2008/10/14 DATE: 2010/11/19	TITLE <b>MICRO HDMI, TYPE-D          0.4MM PITCH, 19CKT          RECEPTACLE CONNECTOR</b>	<b>MOLEX INCORPORATED</b>	DOCUMENT NO. <b>SD-46765-001</b>
DRAFT WHERE APPLICABLE MUST REMAIN WITHIN DIMENSIONS	SIZE <b>A3</b>	THIS DRAWING CONTAINS INFORMATION THAT IS PROPRIETARY TO MOLEX INCORPORATED AND SHOULD NOT BE USED WITHOUT WRITTEN PERMISSION					



MICRO HDMI-THRU HOLE TYPE MOUNTING ISOMETRIC VIEW

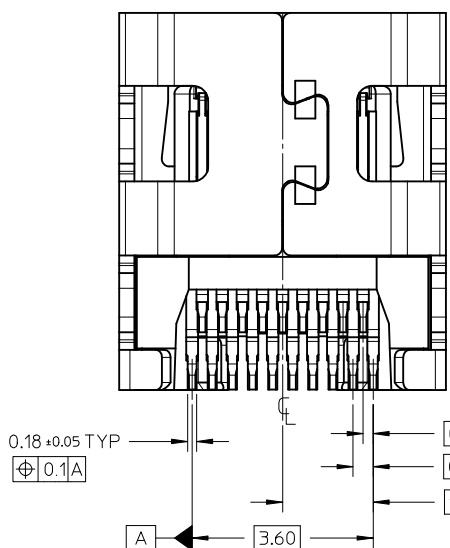
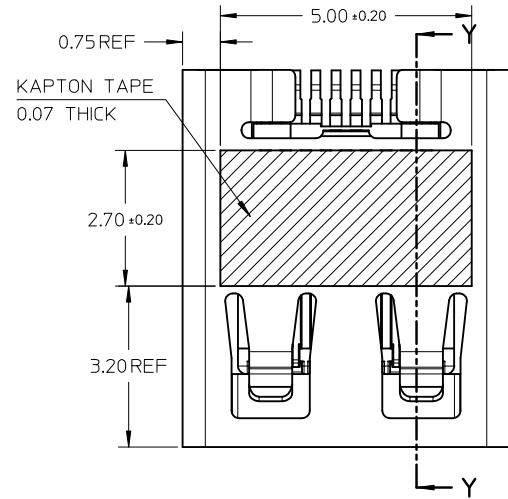


SECTION Y-Y

SELECTIVE GOLD FLASH ON SOLDERING FACE ONLY

NOTES:

1. MATERIALS:  
HOUSING: LCP, 30% GLASS FILLED, UL94V-0  
TERMINALS: COPPER ALLOY  
SHIELD: STAINLESS STEEL
2. FINISHES:  
TERMINALS: GOLD ON CONTACT AREA (Refer Table),  
0.05UM MIN GOLD FLASH ON SOLDER TAILS,  
AND 2.0UM MIN NICKEL UNDERPLATE OVERALL  
SHIELD: MATTE TIN (Refer Table) OVER 1.27UM MIN NICKEL
3. PRODUCT SPECIFICATION: PS-46765-001
4. PACKAGING SPECIFICATION: PACKED IN TAPE & REEL
5. SEE SHEET 4 OF 5 FOR RECOMMENDED PCB LAYOUT
6. TERMINAL SOLDER-TAIL COPLANARITY 0.08 MAX



DESCRIPTION	Contact: 0.76µM Gold Min Shield: 3.8µM Tin Min	Contact: 0.38µM Gold Min Shield: 2.0µM Tin Min
THRU HOLE TYPE+KAPTON TAPE	46765-1001	46765-1301
THRU HOLE TYPE+BLACK HSG+KAPTON TAPE	--	46765-1302
THRU HOLE TYPE	46765-1011	46765-1311
THRU HOLE TYPE+BLACK HSG	--	46765-1312

RELEASED  
EC NO: S2012-0444  
DRWN: CWANG25  
CHKD: JKOH  
APPR: NAGESHKN

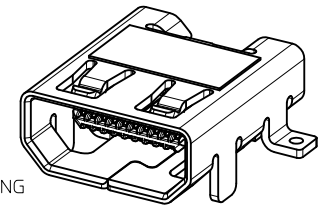
2011/10/24  
2011/12/02  
2011/12/02

QUALITY SYMBOLS	GENERAL TOLERANCES (UNLESS SPECIFIED)
▽=0	mm INCH
◻=0	4 PLACES ± --- ± ---
	3 PLACES ± --- ± ---
	2 PLACES ± 0.1 ± ---
	1 PLACE ± --- ± ---
	ANGULAR ± 2 °
	DRAFT WHERE APPLICABLE MUST REMAIN WITHIN DIMENSIONS

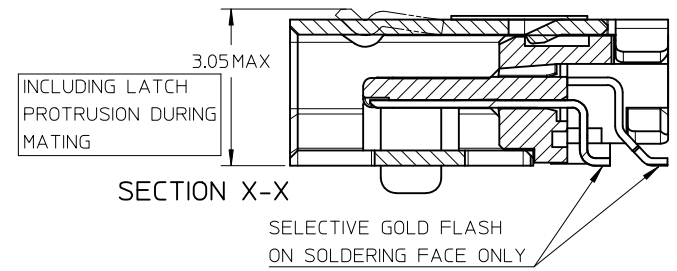
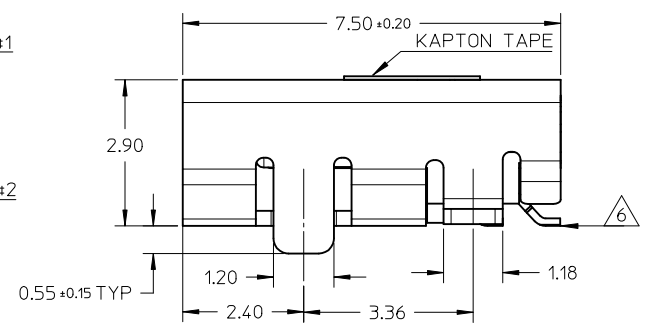
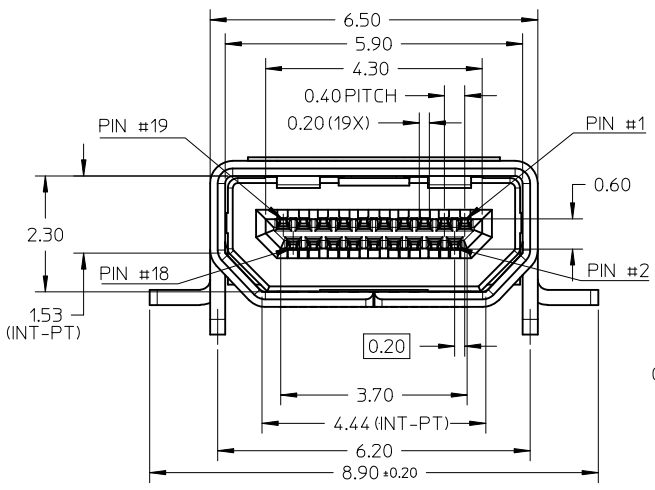
DIMENSION STYLE MM ONLY	
DRAWN BY MKAMARAU	DATE 2008/10/14
CHECKED BY MKAMARAU	DATE 2008/10/14
APPROVED BY NAGESHKN	DATE 2010/11/19
MATERIAL NO.	
SEE TABLE	

SCALE NTS	DESIGN UNITS METRIC	THIRD ANGLE PROJECTION
TITLE MICRO HDMI, TYPE-D 0.4MM PITCH, 19CKT RECEPTACLE CONNECTOR		
MOLEX INCORPORATED		SHEET NO. 2 OF 5
DOCUMENT NO. SD-46765-001		
THIS DRAWING CONTAINS INFORMATION THAT IS PROPRIETARY TO MOLEX INCORPORATED AND SHOULD NOT BE USED WITHOUT WRITTEN PERMISSION		

10 9 8 7 6 5 4 3 2 1

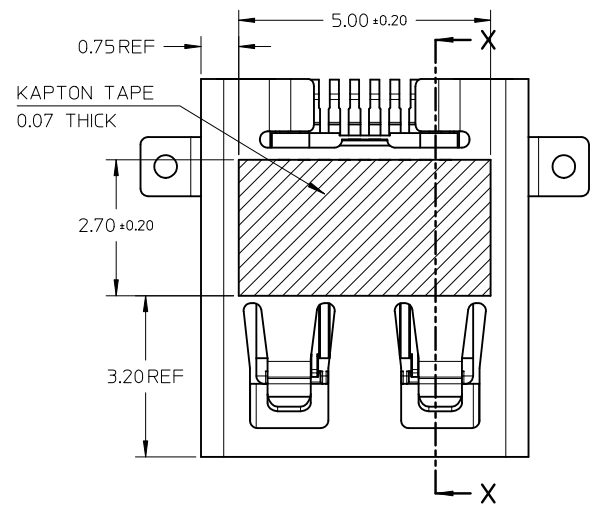
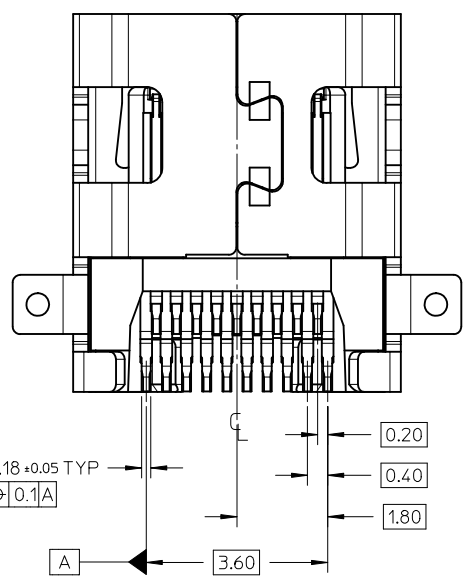


MICRO HDMI  
HYBRID TYPE MOUNTING



NOTES:

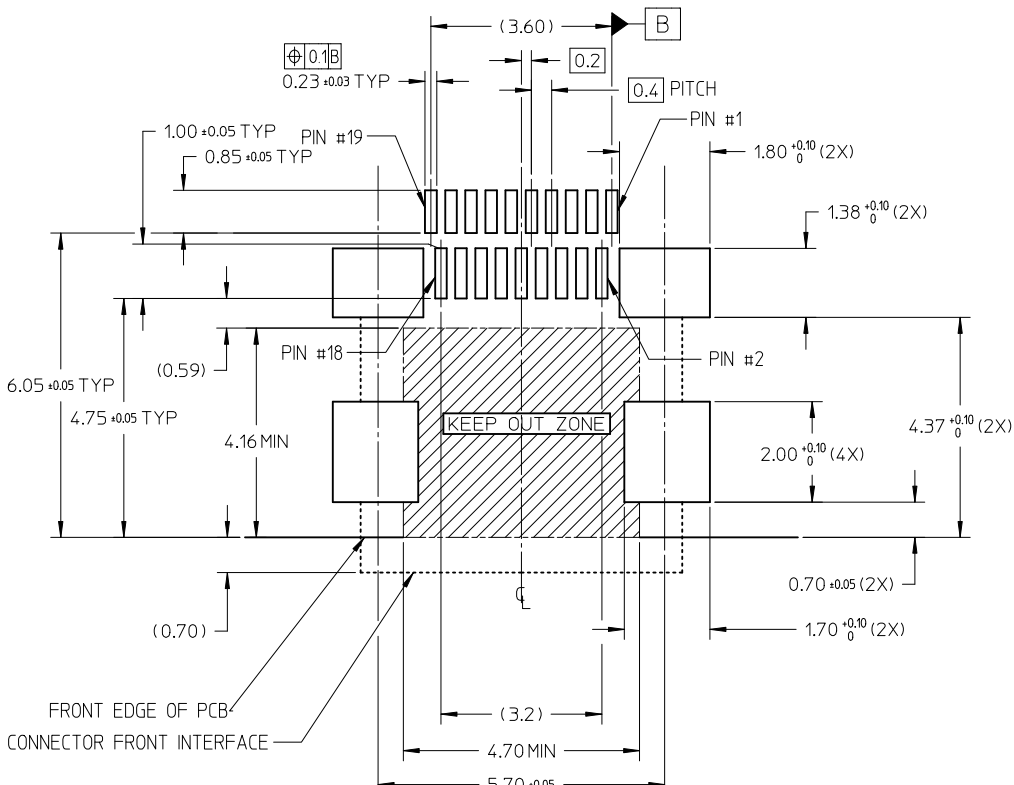
- MATERIALS:  
HOUSING: LCP, 30% GLASS FILLED, UL94V-0  
TERMINALS: COPPER ALLOY  
SHIELD: STAINLESS STEEL
- FINISHES:  
TERMINALS: GOLD ON CONTACT AREA (Refer Table),  
0.05UM MIN GOLD FLASH ON SOLDER TAILS,  
AND 2.0UM MIN NICKEL UNDERPLATE OVERALL  
SHIELD: MATTE TIN (Refer Table) OVER 1.27UM MIN NICKEL
- PRODUCT SPECIFICATION: PS-46765-001
- PACKAGING SPECIFICATION: PACKED IN TAPE & REEL
- SEE SHEET 4 OF 5 FOR RECOMMENDED PCB LAYOUT
- TERMINAL SOLDER-TAIL COPLANARITY 0.08 MAX



DESCRIPTION	Contact: 0.764M Gold Min Shield: 3.84M Tin Min PART NUMBER	Contact: 0.384M Gold Min Shield: 2.04M Tin Min PART NUMBER
HYBRID TYPE+KAPTON TAPE	46765-2001	46765-2301
HYBRID TYPE+BLACK HOUSING+KAPTON TAPE	46765-2021	46765-2302
HYBRID TYPE	46765-2011	46765-2311
HYBRID TYPE+BLACK HSG	--	46765-2312

REV	DESCRIPTION	QUALITY SYMBOLS	GENERAL TOLERANCES (UNLESS SPECIFIED)		DIMENSION STYLE		SCALE	DESIGN UNITS	THIRD ANGLE PROJECTION
			mm	INCH	MM ONLY	NTS	METRIC		
4	PLACES	± ---	± ---	DRAWN BY: MKAMARAU	DATE: 2008/10/14	TITLE: MICRO HDMI, TYPE-D 0.4MM PITCH, 19CKT RECEPTACLE CONNECTOR	DOCUMENT NO. SD-46765-001	SHEET NO. 3 OF 5	
3	PLACES	± ---	± ---						CHECKED BY: MKAMARAU
2	PLACES	± 0.1	± ---	APPROVED BY: NAGESHKIN	DATE: 2010/11/19	MOLEX INCORPORATED	MATERIAL NO.	SEE TABLE	
1	PLACE	± ---	± ---	ANGULAR ± 2 °					
DRAFT WHERE APPLICABLE MUST REMAIN WITHIN DIMENSIONS			SIZE A3		THIS DRAWING CONTAINS INFORMATION THAT IS PROPRIETARY TO MOLEX INCORPORATED AND SHOULD NOT BE USED WITHOUT WRITTEN PERMISSION				

9 8 7 6 5 4 3 2 1

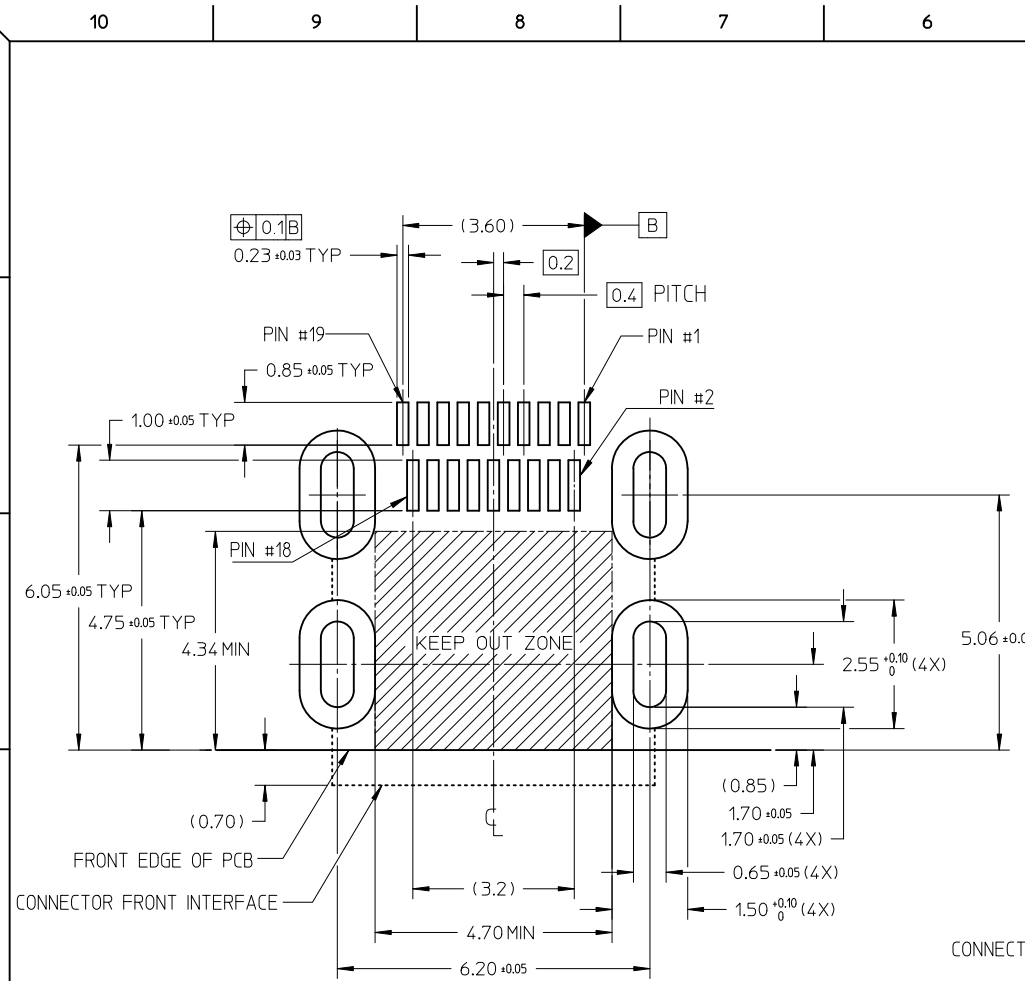


RECOMMENDED PCB LAYOUT  
 COMPONENT SIDE OF BOARD  
 SHEET 1 OF 5

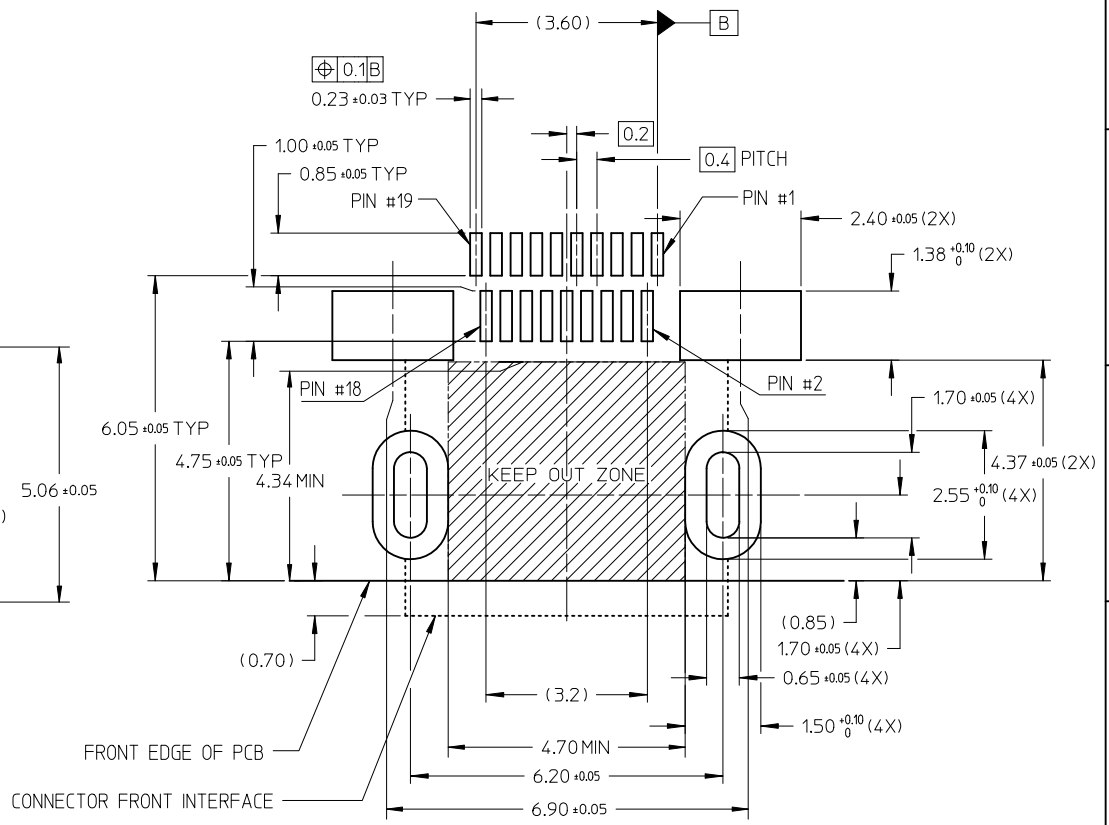
PIN	SIGNAL ASSIGNMENT
1	Hot Plug Detect
2	Utility
3	TMDS Data2+
4	TMDS Data2- Shield
5	TMDS Data2-
6	TMDS Data1+
7	TMDS Data1- Shield
8	TMDS Data1-
9	TMDS Data0+
10	TMDS Data0- Shield
11	TMDS Data0-
12	TMDS Clock+
13	TMDS Clock- Shield
14	TMDS Clock-
15	CEC
16	DDC/CEC Ground
17	SCL
18	SDA
19	+5V Power

CONNECTION	SIGNALS
	TYPE D CONNECTOR
FIRST MAKE	CONNECTOR SHELL
SECOND MAKE	PINS 1 - 18
THIRD MAKE	PIN 19 (+5V POWER)

RELEASED EC NO: S2012-0444 DRWN: CWANG25 CHKD: KJKOH APPR: NAGESHKN	2011/10/24 2011/12/02 2011/12/02	DESCRIPTION REV	QUALITY SYMBOLS	GENERAL TOLERANCES (UNLESS SPECIFIED) mm INCH 4 PLACES ± --- ± --- 3 PLACES ± --- ± --- 2 PLACES ± 0.1 ± --- 1 PLACE ± --- ± --- ANGULAR ± 2 °	DIMENSION STYLE	SCALE	DESIGN UNITS	THIRD ANGLE PROJECTION	
					MM ONLY	NTS	METRIC		
					DRAWN BY	DATE	TITLE		
					CHECKED BY	DATE	MICRO HDMI, TYPE-D 0.4MM PITCH, 19CKT RECEPTACLE CONNECTOR		
				APPROVED BY	DATE	MOLEX INCORPORATED			
				MATERIAL NO.		DOCUMENT NO.		SHEET NO.	
				SEE TABLE				4 OF 5	
				DRAFT WHERE APPLICABLE MUST REMAIN WITHIN DIMENSIONS					
				THIS DRAWING CONTAINS INFORMATION THAT IS PROPRIETARY TO MOLEX INCORPORATED AND SHOULD NOT BE USED WITHOUT WRITTEN PERMISSION					



RECOMMENDED PCB LAYOUT  
COMPONENT SIDE OF BOARD  
SHEET 2 OF 5



RECOMMENDED PCB LAYOUT  
COMPONENT SIDE OF BOARD  
SHEET 3 OF 5

RELEASED EC NO: S2012-0444 DRWN: CWANG25 CHKD: KJKOH APPR: NAGESHKN	2011/10/24 2011/12/02 2011/12/02	DESCRIPTION REV	QUALITY SYMBOLS	GENERAL TOLERANCES (UNLESS SPECIFIED)	DIMENSION STYLE	SCALE	DESIGN UNITS	THIRD ANGLE PROJECTION
			$\nabla = 0$ $\square = 0$	mm    INCH 4 PLACES ± --- ± --- 3 PLACES ± --- ± --- 2 PLACES ± 0.1 ± --- 1 PLACE ± --- ± --- ANGULAR ± 2 °	MM ONLY	NTS	METRIC	
				DRAFT WHERE APPLICABLE MUST REMAIN WITHIN DIMENSIONS	DRAWN BY: MKAMARAU CHECKED BY: MKAMARAU APPROVED BY: NAGESHKN MATERIAL NO.: SEE TABLE	DATE: 2008/10/14 DATE: 2008/10/14 DATE: 2010/11/19	TITLE	MICRO HDMI, TYPE-D 0.4MM PITCH, 19CKT RECEPTACLE CONNECTOR MOLEX INCORPORATED
							DOCUMENT NO.: SD-46765-001 SHEET NO.: 5 OF 5	