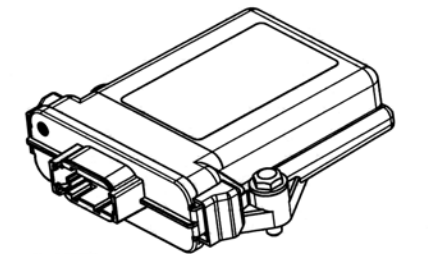
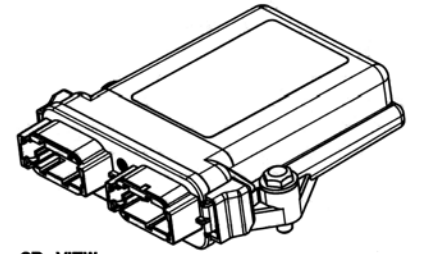
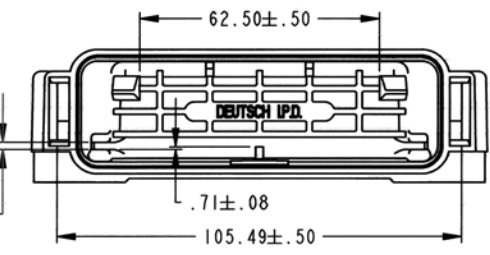
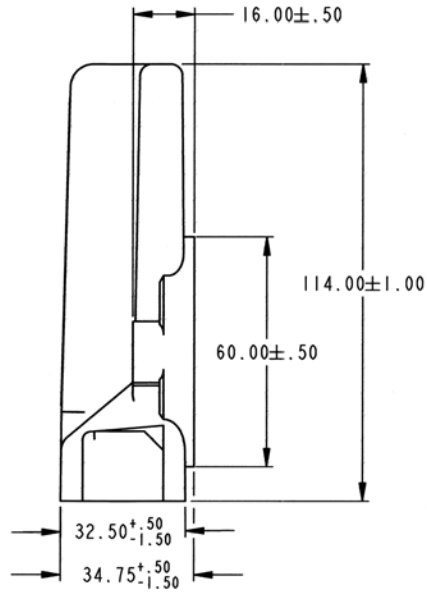
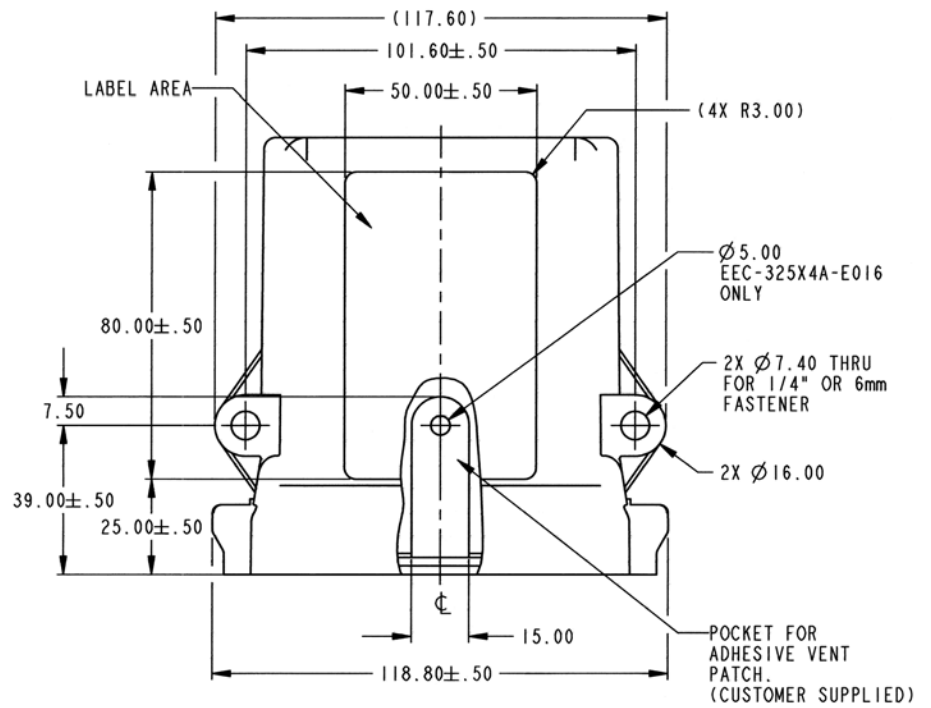
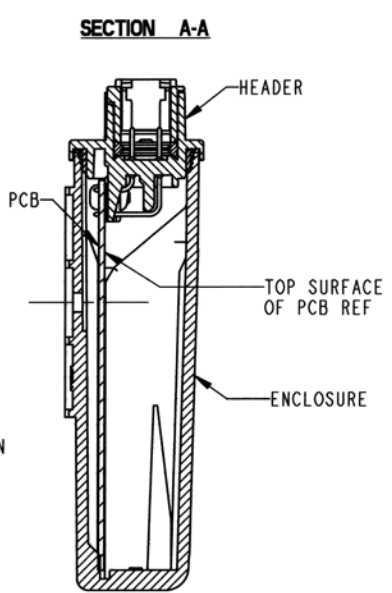
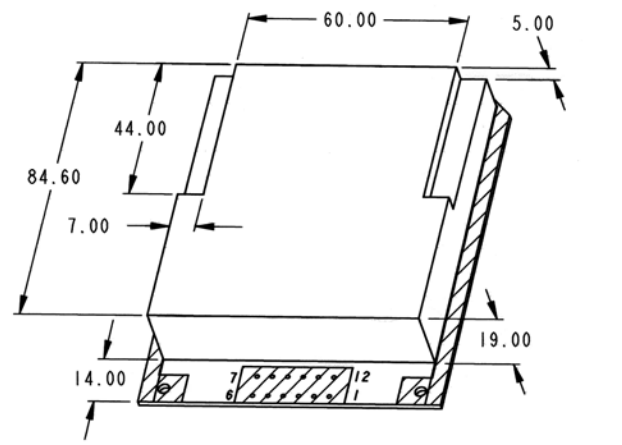
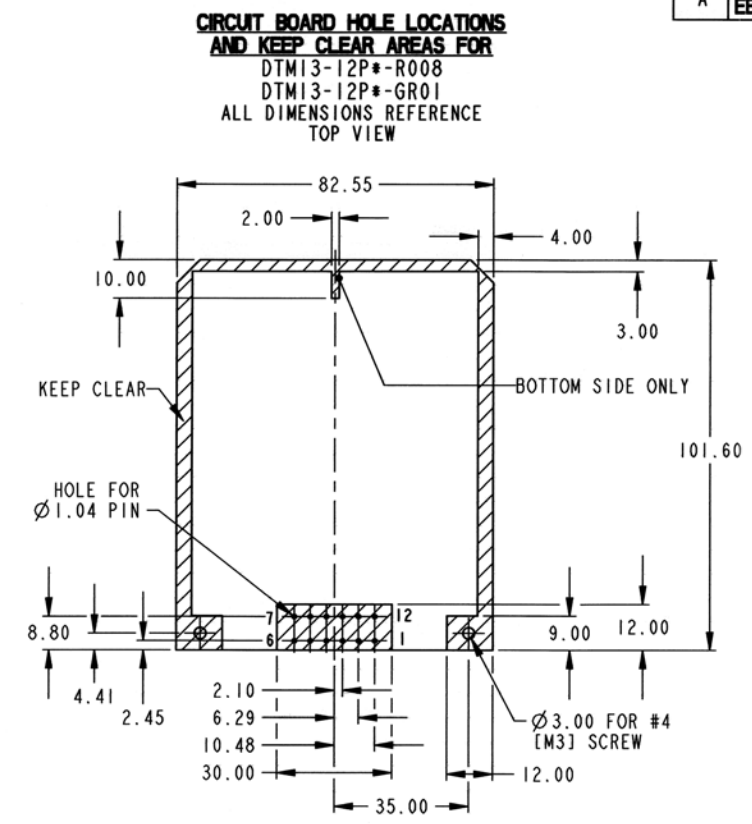
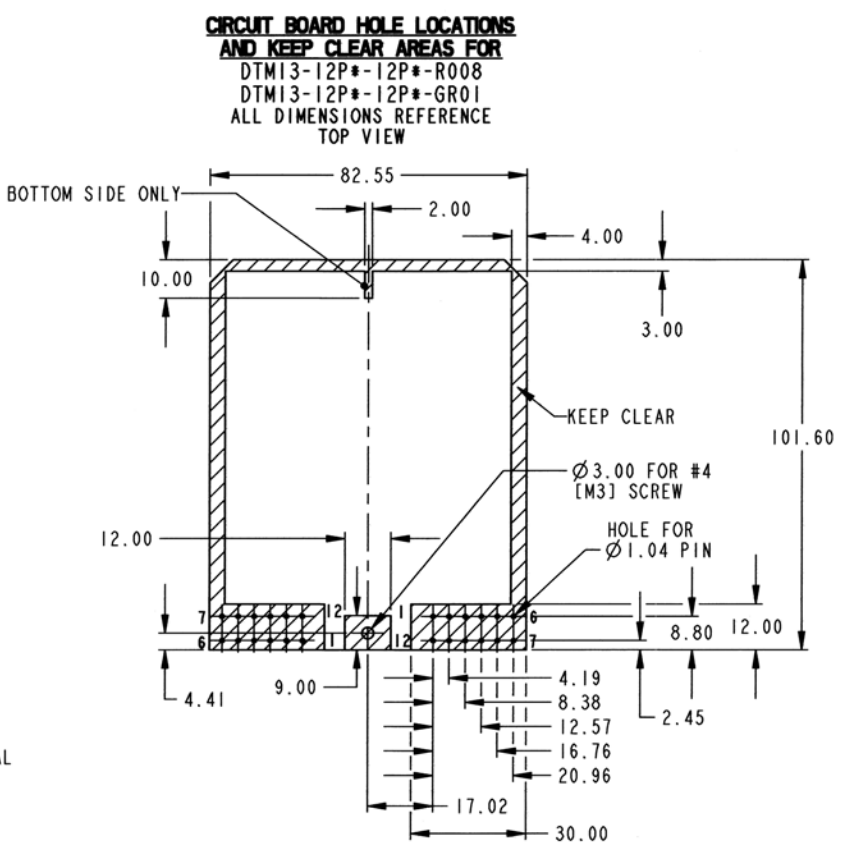
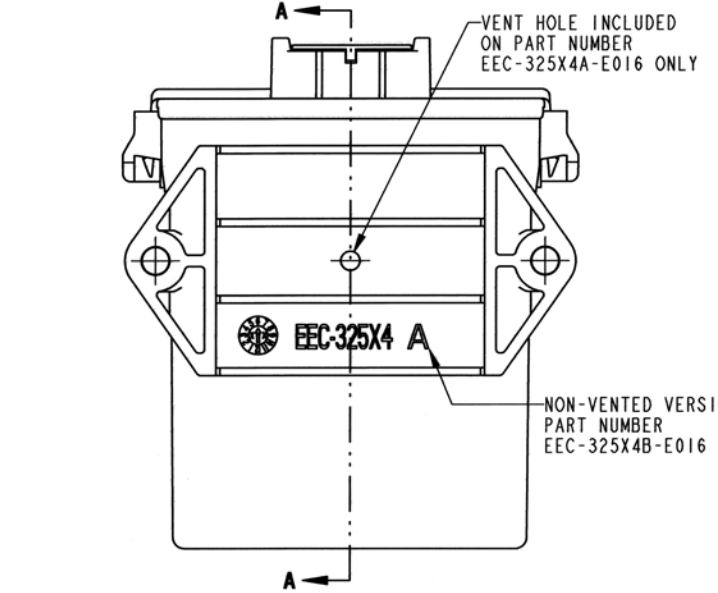
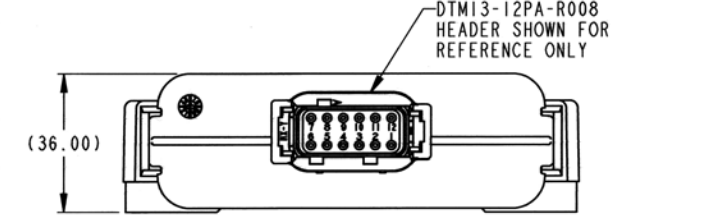
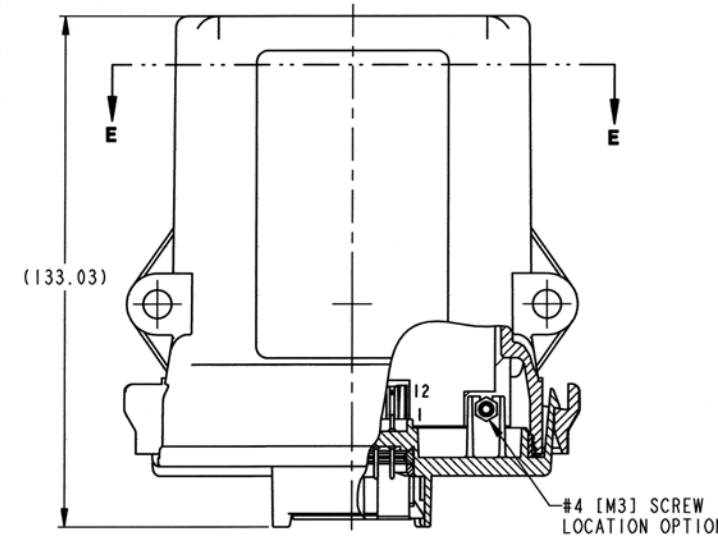
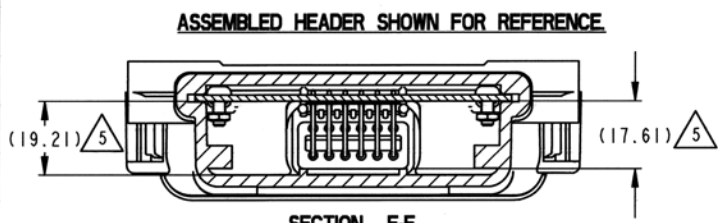


REV A		REVISIONS		
SYM	DESCRIPTION	DATE	APPROVED	
NC	NEW RELEASE PER E.O. P19355	9-13-06	RDR	
A	REVISED PER E.O. P21370	5-27-12	RDR	



5. MAXIMUM COMPONENT HEIGHT DEPENDS ON LOCATION DUE TO PART DRAFT AND RIBS.
4. THIS ENCLOSURE MATES WITH DTM13-12P*-R008 (Ni PINS); DTM13-12P*-GR01 (Au PINS); DTM13-12P*-12P*-R008 (Ni PINS); DTM13-12P*-12P*-GR01 (Au PINS) HEADERS. (* = A,B,C,D KEYS).
3. ENCLOSURE MATERIAL: NATURAL ULTEM.
2. ALL DIMENSIONS ARE +/- .25 UNLESS OTHERWISE SPECIFIED.
- NOTES: 1. ALL DIMENSIONS ARE METRIC.

SIGNATURE & DATE		PCB ENCLOSURE SHOWN WITH 12 AND 24 PIN HEADER VENTED AND NON-VENTED DTM SERIES		ENVELOPE	
DR	J. APOSTOL 24AUG2006	EP		MATL. CODE	
CHK	<i>[Signature]</i> 5/12/12	DEUTSCH INDUSTRIAL		3850 INDUSTRIAL AVE. HEMET, CA 92545	
PE	<i>[Signature]</i> 5/12/12	EEC-325X4A-E016		EEC-325X4B-E016	
APPD	<i>[Signature]</i> 5/23/12	D		CODE 1139 SHEET 1 OF 1	
SCALE	NONE	WT			