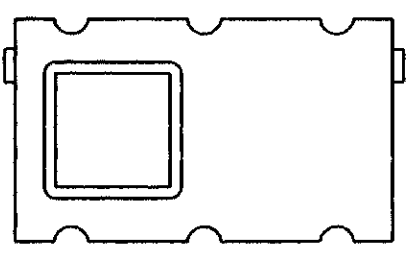
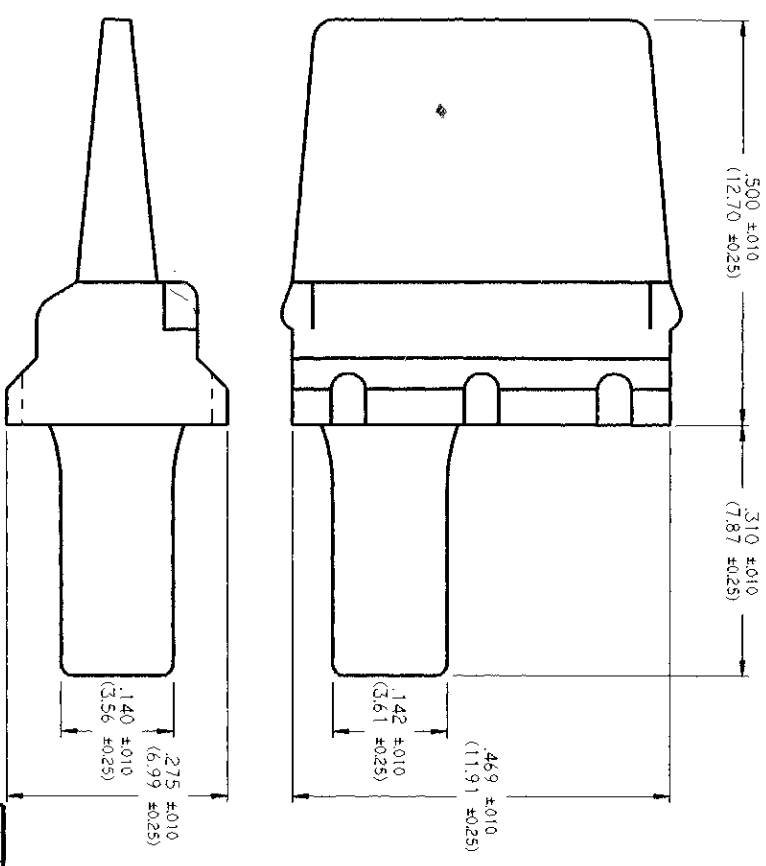


REVISIONS			
REV	NC	SYM	DESCRIPTION
	WM - 6P		

SYM	DESCRIPTION	DATE	APPROVED
NC	NEW RELEASE PER E.O. 14176	10/22/95	MM



NOTES:

1. DIMENSIONS ARE IN INCHES (METRIC).
2. THIS PART MATES WITH DTM04-6P RECEPTACLE.
3. COLOR = ORANGE.

DR	V TOMSA OCT-23-95	SIGNATURE & DATE
CHK		
PE		
APPR		
SCALE	8:1	WT

**WEDGE LOCK FOR  
6 PIN RECPT.  
HOUSING  
DTM SERIES**

ENVEL OPE

**The Deutsch Company**  
DEUTSCH LPD  
3740 INDUSTRIAL AVE  
HEMEL, CALIF. 92343

CP

DATE CODE

WM - 6P

SHEET 1 OF 1