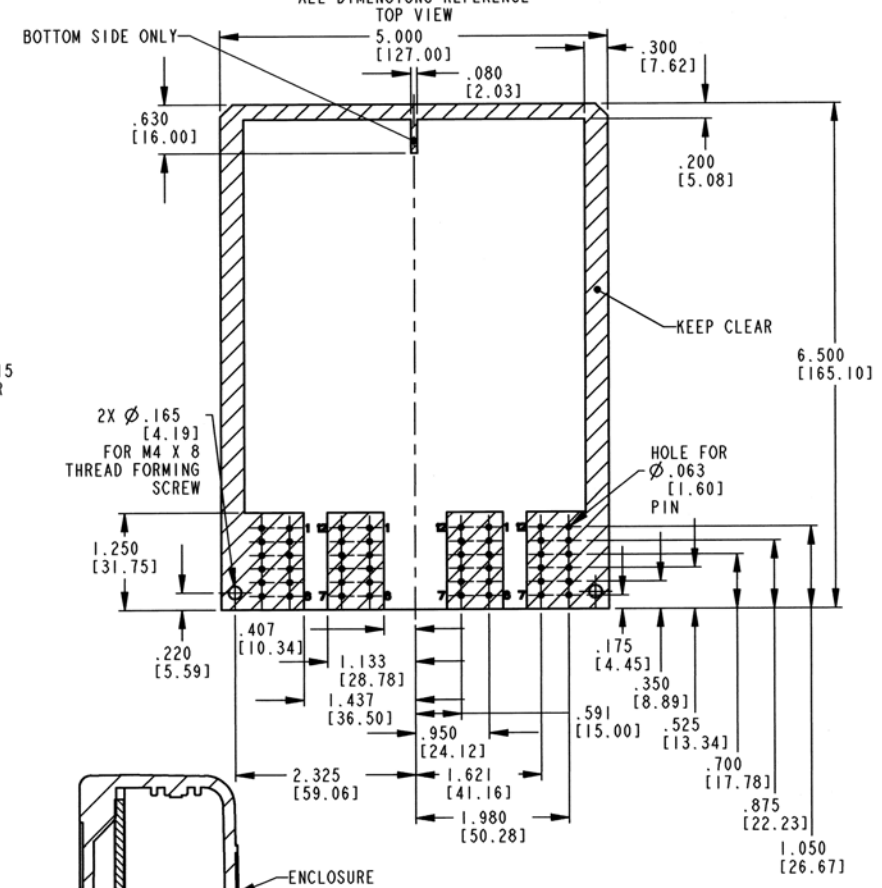
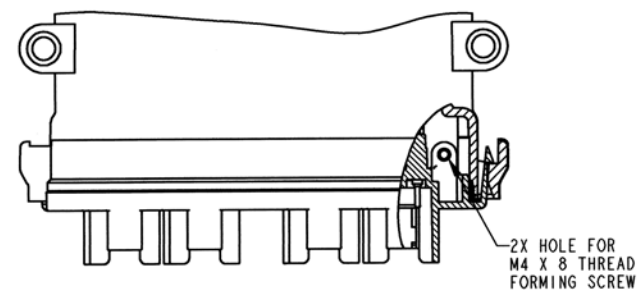


CIRCUIT BOARD HOLE LOCATIONS AND KEEP CLEAR AREAS FOR DT13-~~P~~R015

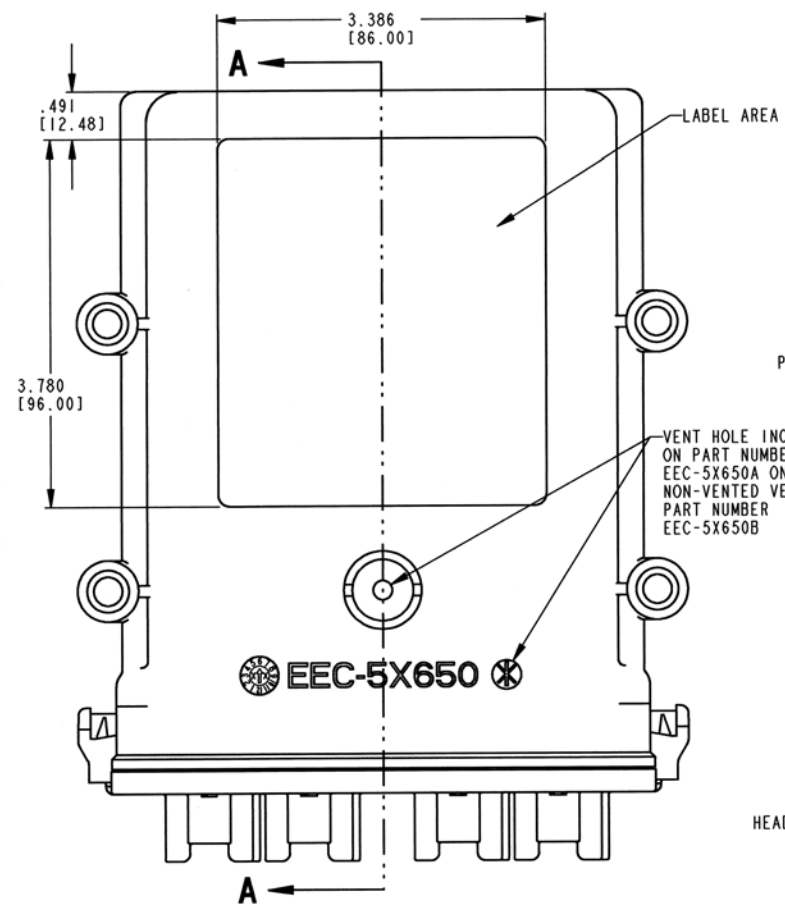
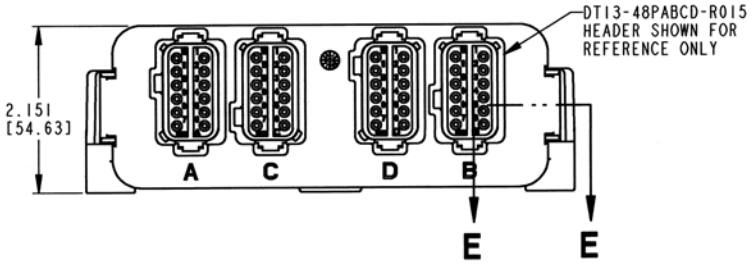
BOARD THICKNESS IN KEEP CLEAR AREA TO BE $.093 \pm .004$.
 MAX. COMPONENT HEIGHT OVER BOARD $.992 [25.20]$.
 MAX. COMPONENT HEIGHT UNDER BOARD $.157 [4.00]$.
 ALL DIMENSIONS REFERENCE TOP VIEW



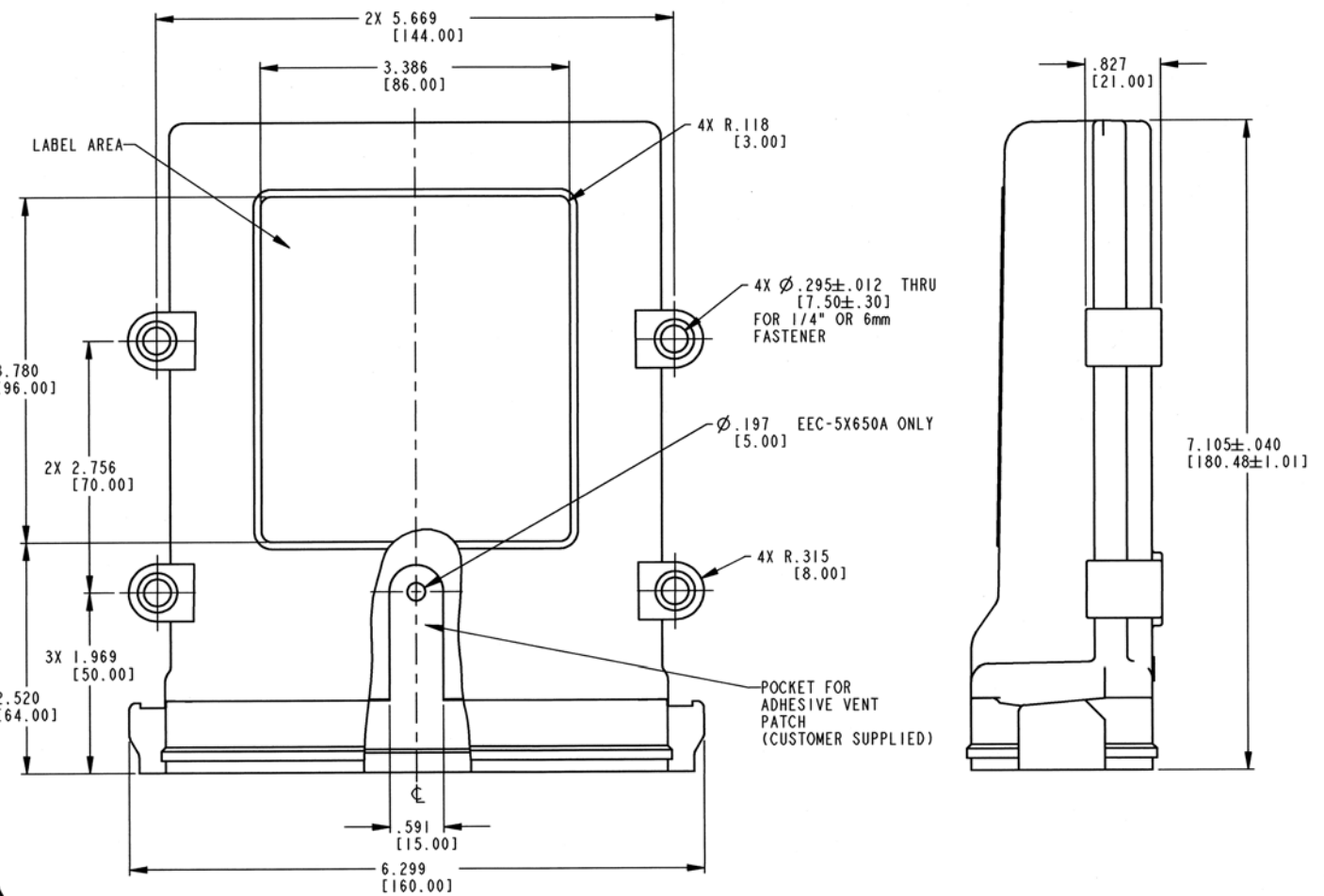
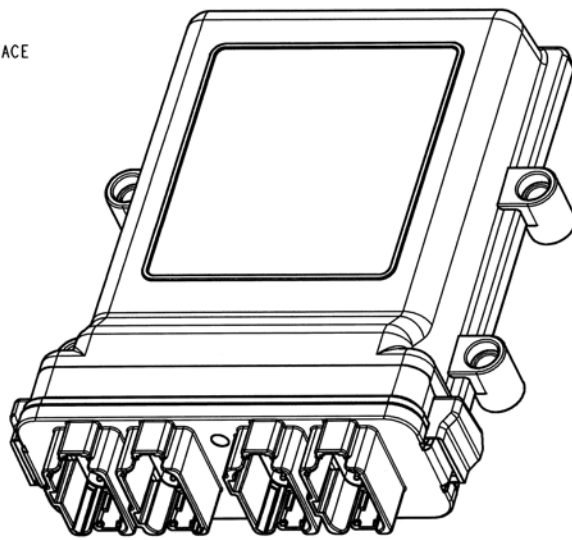
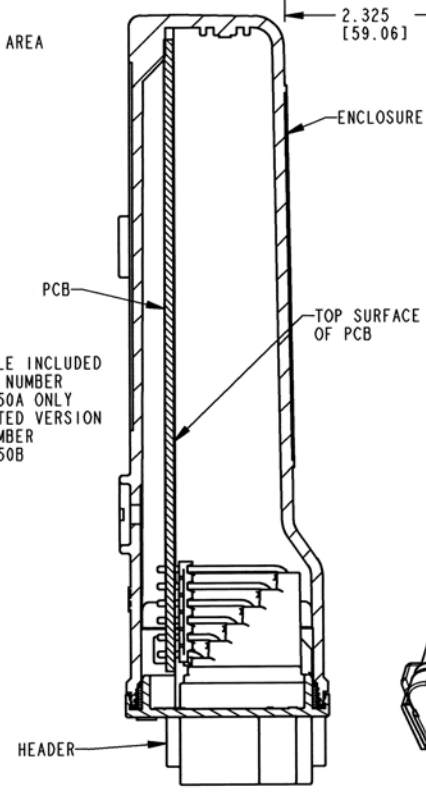
REV		REVISIONS		
NC	SYM	DESCRIPTION	DATE	APPROVED
NC		NEW RELEASE PER E.O. P20721	12-17-10	RDR



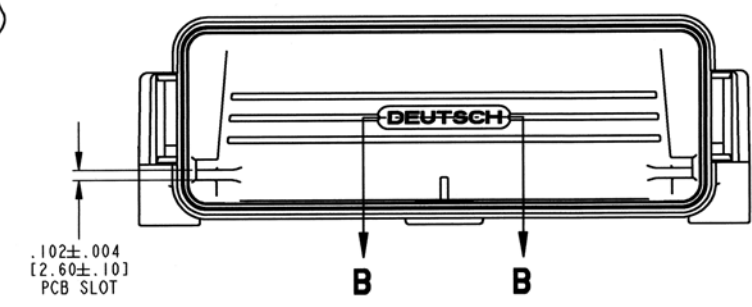
SECTION E-E



SECTION A-A



SECTION B-B



- NOTES:
1. DIMENSIONS ARE IN INCHES [MILLIMETERS].
 2. DIMENSIONS ARE $\pm .025 [.64]$ UNLESS OTHERWISE SPECIFIED.
 3. MATERIAL: NYLON 6/6 BLACK.
 4. THIS ENCLOSURE MATES WITH DT13-~~P~~R015 AND -GR02 HEADERS. (* = PIN ARR. 12,24,36,48; *2 = KEY ARR. A,B,C,D).

SIGNATURE & DATE		PCB ENCLOSURE SHOWN WITH 48 PIN HEADER VENTED AND NON-VENTED DT SERIES	EP 208	MAT. CODE
DR	R.MESSENGER 6/11/10		3850 INDUSTRIAL AVE. HEMET, CA 92545	
CHK			DEUTSCH INDUSTRIAL	
PE			EEC-5X650A/B	
APPD		ENVELOPE		D
SCALE	NONE	WT		DWG SIZE
				CODE [1139]
				SHEET 1 OF 1