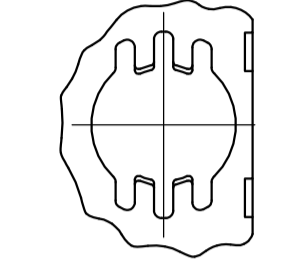
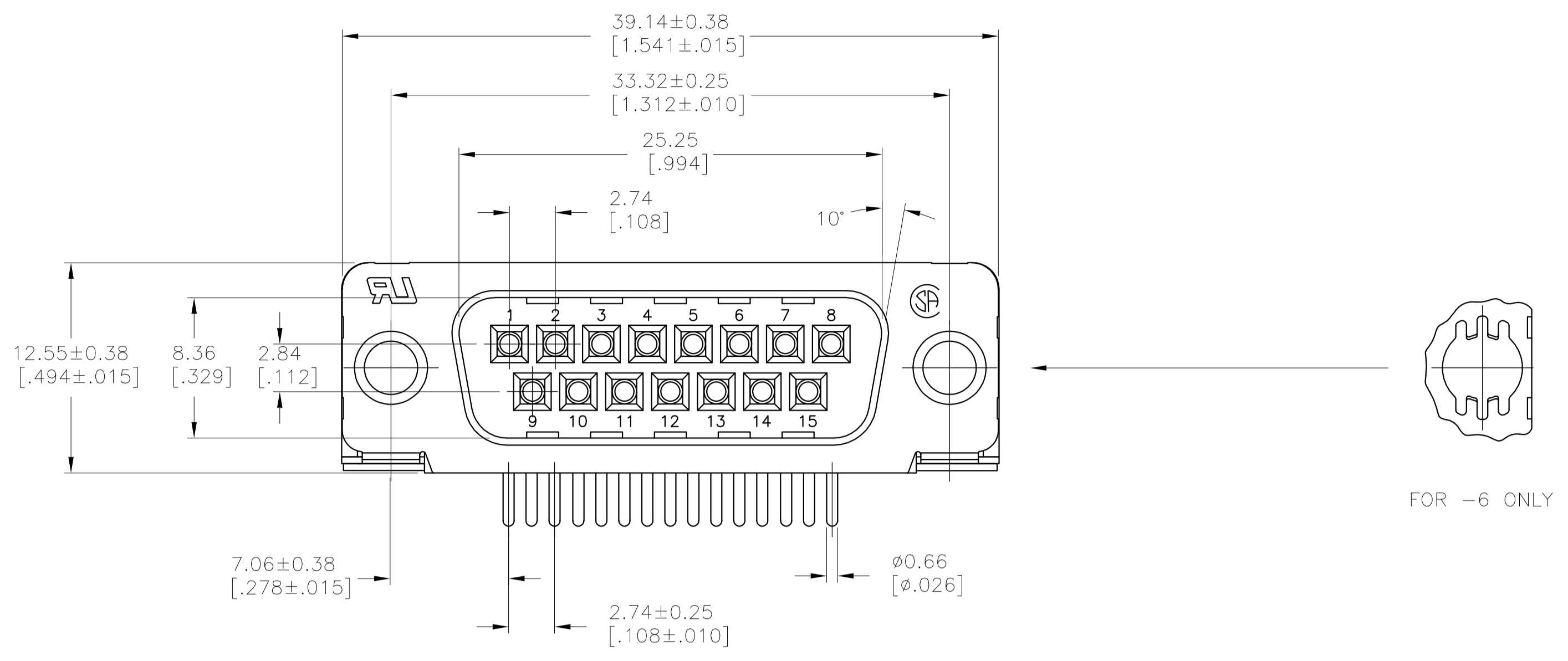


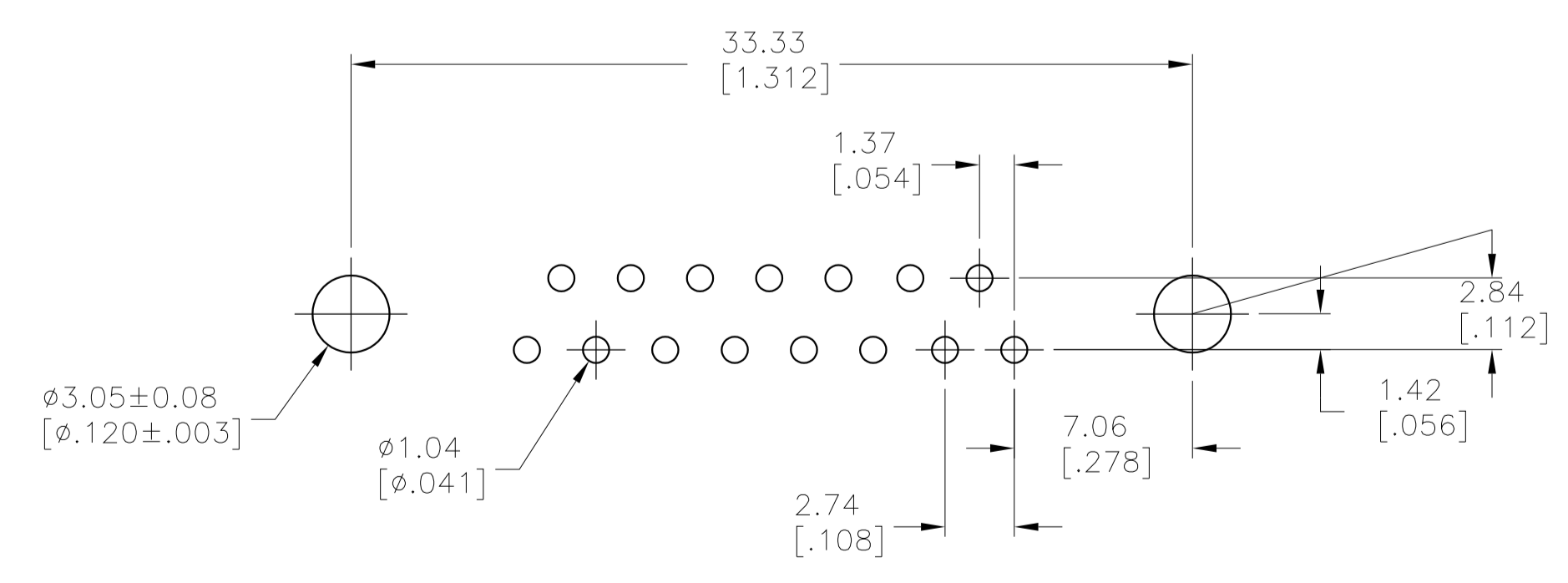
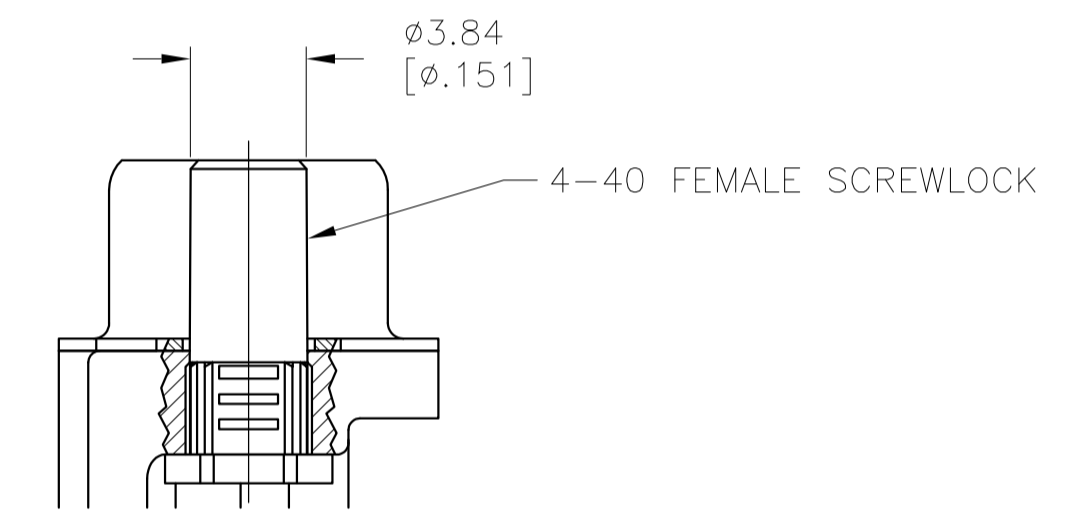
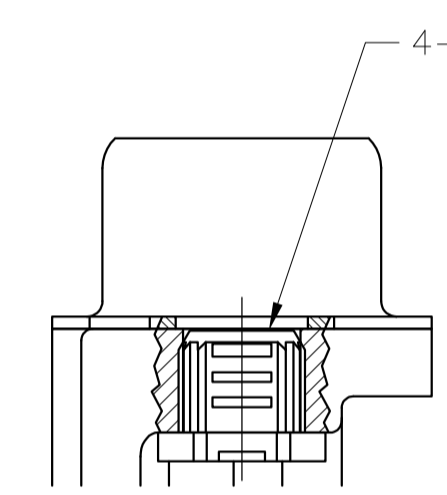
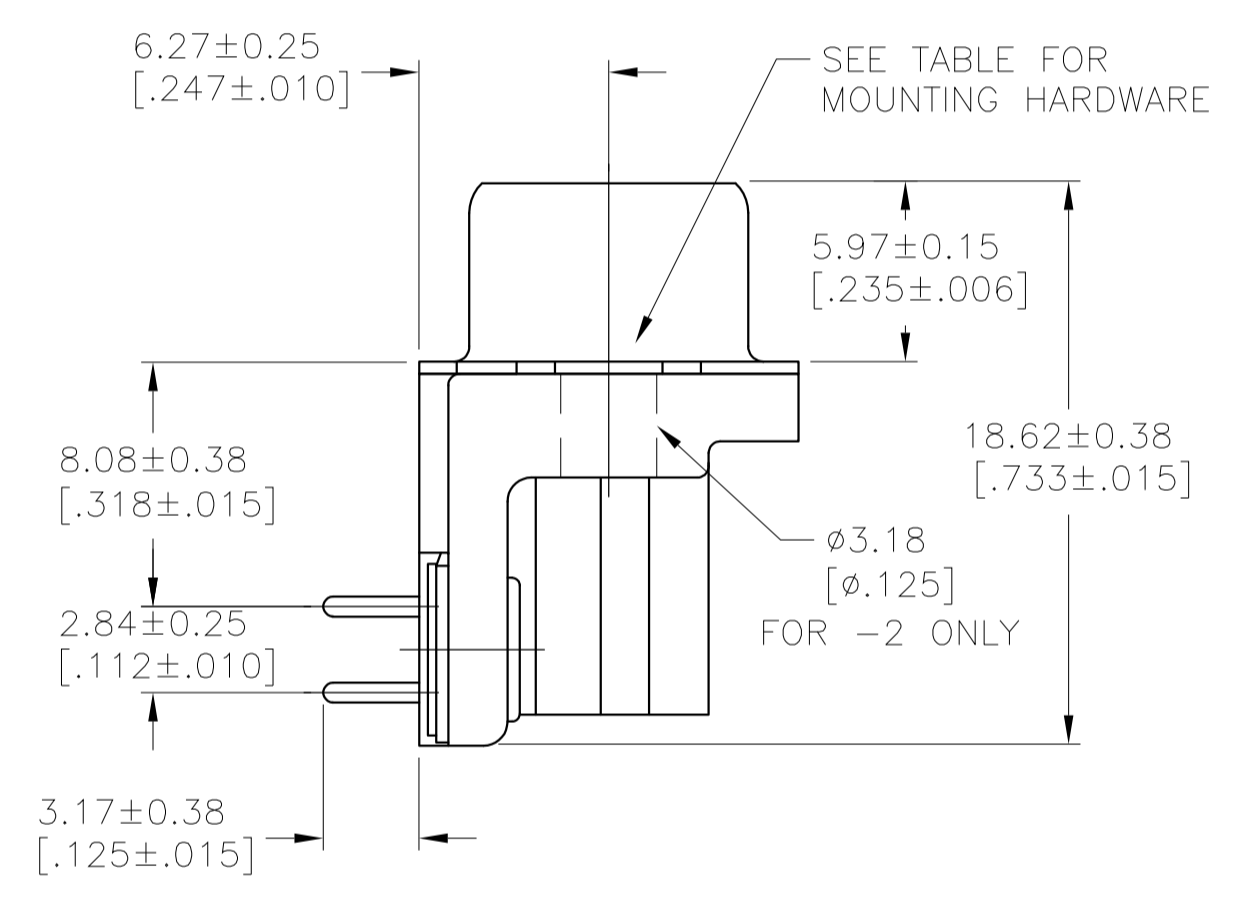
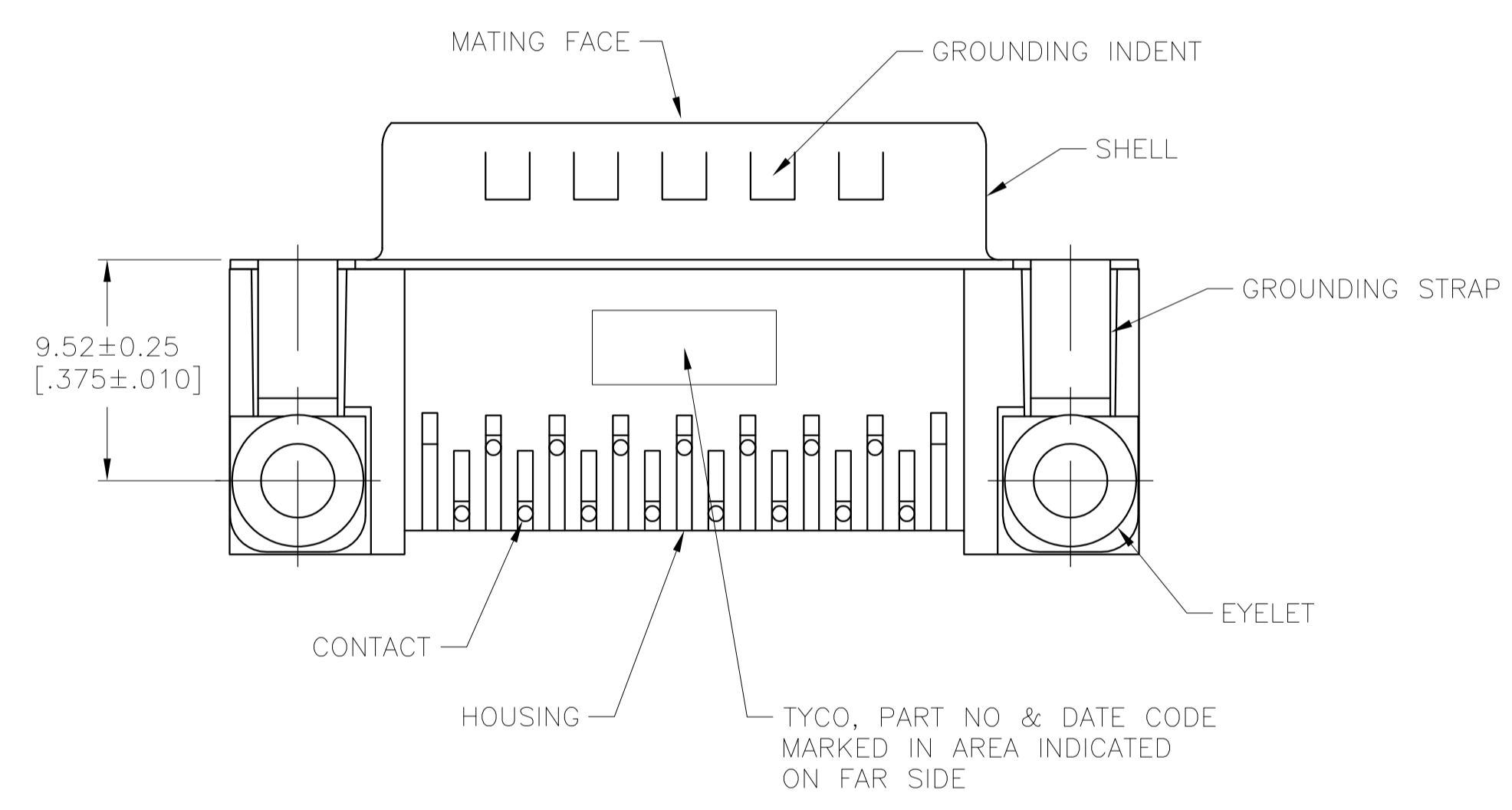
| LOC | | DIST | | REVISIONS | | | |
|-----|----|---------------------------|-----------|-----------|-----|------|--|
| GP | 00 | REV | DATE | BY | CHK | APPV | |
| B | | REVISED PER ECO-11-009374 | 20MAY2011 | CJV | SLB | | |



△ HOUSING: NYLON OR POLYESTER, FLAME RETARDANT, 94V-0 RATED, COLOR BLACK.
 SHELL: CARBON STEEL.
 CONTACTS: BRASS.
 EYELETS: BRASS.
 INSERTS: ZINC.
 SCREWLOCKS: ZINC.

△ SHELL: 0.00254[.000100] MIN TIN OVER 0.00127[.000050] MIN COPPER.
 CONTACTS: 0.76µm (.000030) MIN GOLD PLATE ON THE MATING SURFACES, 2.54µm (.000100) MIN TIN PLATE ON THE SOLDER END, 1.27µm (.000050) MIN NICKEL UNDERPLATE ON THE ENTIRE CONTACT
 -OR-
 GOLD FLASH OVER PALLADIUM-NICKEL PLATE, 0.76µm (.000030) MIN TOTAL ON THE MATING SURFACES, 2.54µm (.000100) MIN TIN PLATE ON THE SOLDER END, 1.27µm (.000050) MIN NICKEL UNDERPLATE ON THE ENTIRE CONTACT.

EYELETS: 0.00508[.000200] MIN TIN OVER COPPER FLASH.
 INSERTS: CLEAR CHROMATE.
 SCREWLOCKS: CLEAR CHROMATE.



| | |
|-------------------|-------------|
| SEE DETAIL B | 5747236-6 |
| SEE DETAIL A | 5747236-4 |
| NONE | 5747236-2 |
| MOUNTING HARDWARE | PART NUMBER |

**COPYRIGHT 2005
 TYCO ELECTRONICS CORP
 ALL RIGHTS RESERVED**

| | | | | | |
|--|--------------|------------------|---|---------|-----------------|
| THIS DRAWING IS A CONTROLLED DOCUMENT. | | DIN | J.GERACE | 14JAN05 | TE Connectivity |
| DIMENSIONS: mm(INCHES) | | CHK | S.BOLASH | 14JAN05 | |
| TOLERANCES UNLESS OTHERWISE SPECIFIED: | | APPD | M.WALMSLEY | 14JAN05 | NAME |
| 0 PLC | ± - | PRODUCT SPEC | PLUG ASSEMBLY, SIZE 2, 15 POS, RIGHT ANGLE, FRONT METAL SHELL, 8.08[.318] SERIES, AMPLIMITE HD-20 | | |
| 1 PLC | ± - | APPLICATION SPEC | 108-40025 | | |
| 2 PLC | ± - | SIZE | 114-40010 | | |
| 3 PLC | ± 0.13[.005] | WEIGHT | - | | |
| 4 PLC | ± - ± | CAGE CODE | DRAWING NO | | |
| ANGLES | ± - ± | SCALE | 4:1 | | |
| MATERIAL | FINISH | CUSTOMER DRAWING | SHEET 1 OF 1 | | |
| | | REV | B | | |