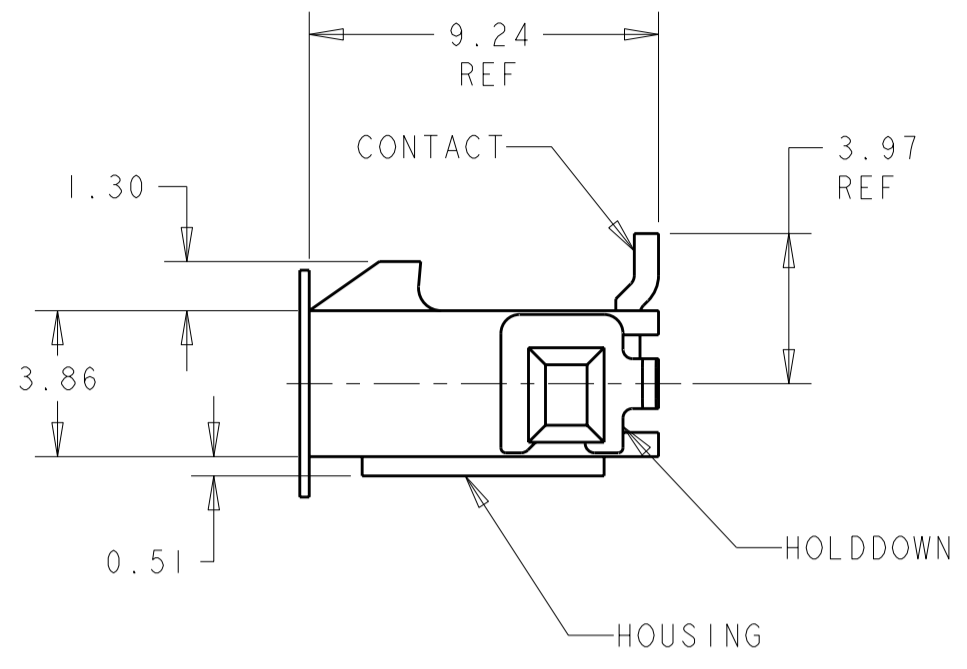
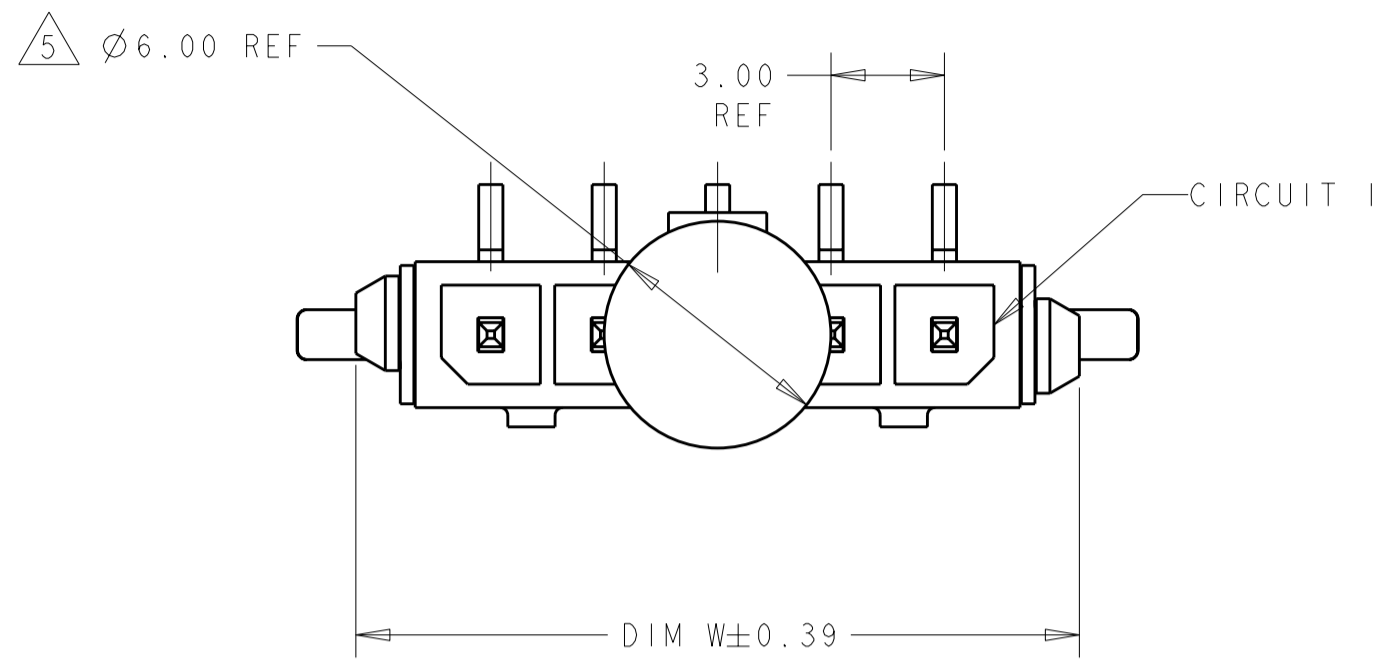
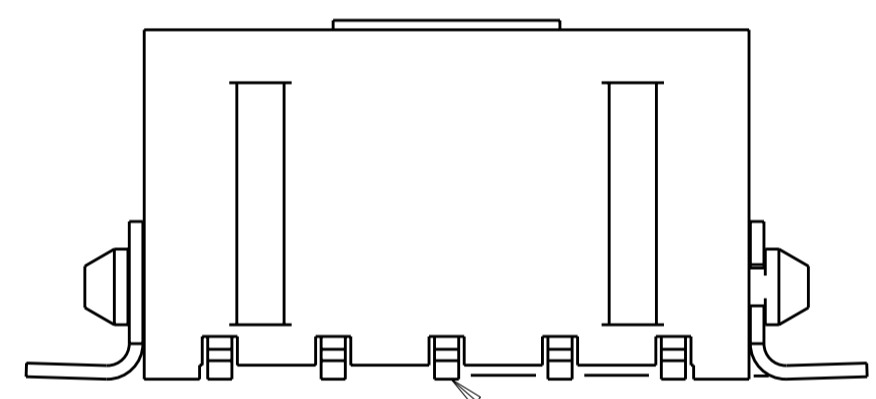


THIS DRAWING IS UNPUBLISHED. RELEASED FOR PUBLICATION 20  
 © COPYRIGHT 20 BY - ALL RIGHTS RESERVED.

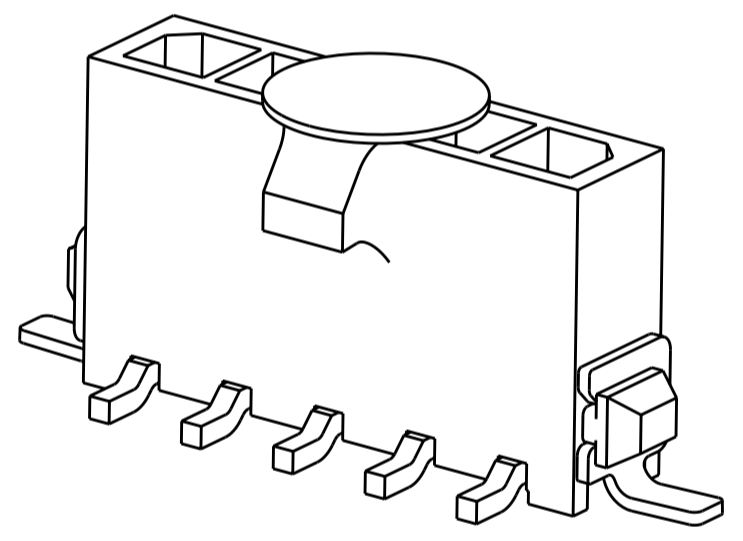
REVISIONS					
P	LTR	DESCRIPTION	DATE	DWN	APVD
	DI	REVISED PER ECO-11-005027	15MAR2011	RK	HMR



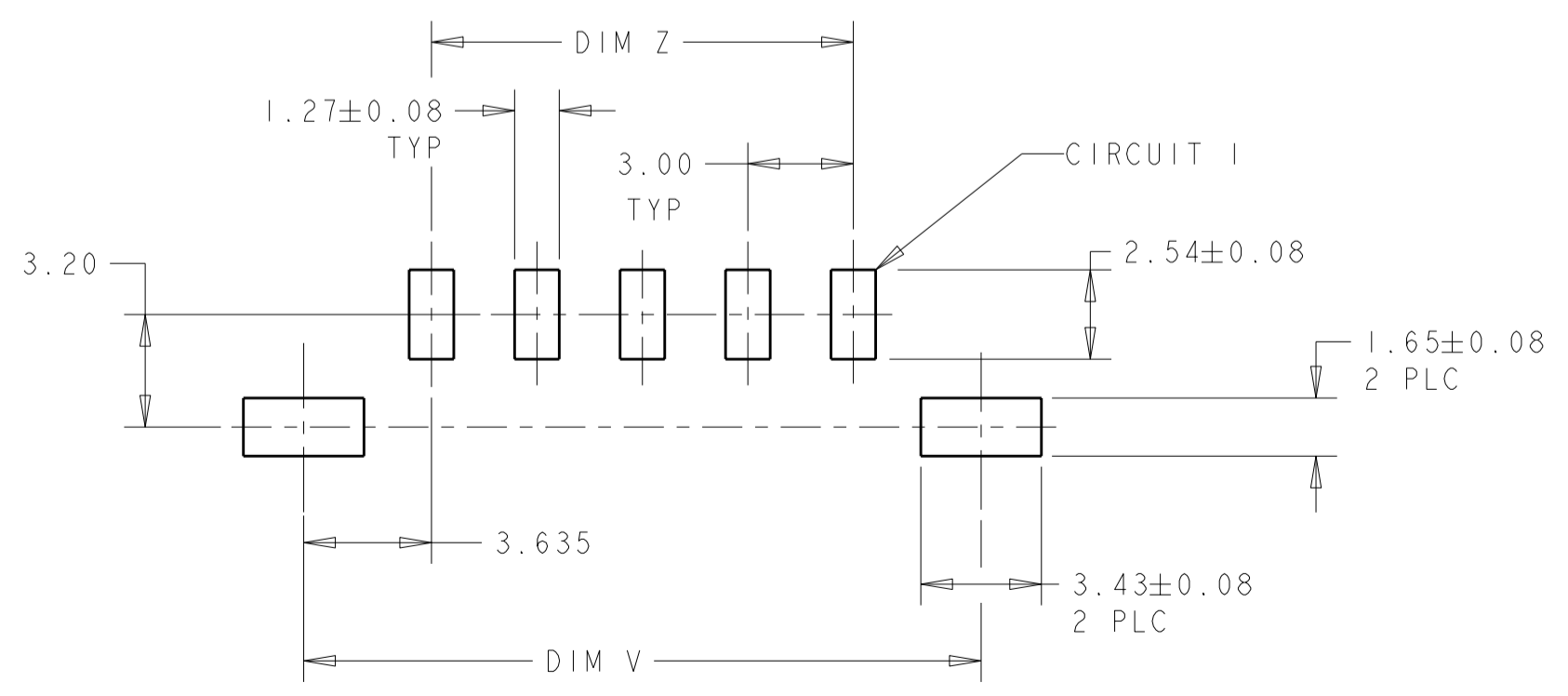
- 1 MATERIAL: CONTACTS - BRASS  
HOUSING - UL 94V-0 RATED HIGH TEMP NYLON, COLOR BLACK.  
HOLDDOWNS: - PHOSPHOR BRONZE.
- 2 PLATING: CONTACTS - 0.76µm MINIMUM GOLD ON MATING END,  
2.54µm MINIMUM TIN LEAD ON SOLDER TAILS, BOTH OVER  
1.27µm MINIMUM NICKEL.  
HOLDDOWNS: 2.54µm MINIMUM TIN-LEAD OVER 1.27µm MINIMUM NICKEL.
- 4 RECOMMENDED PC BOARD THICKNESS OF 1.57.
- 5 KAPTON VACUUM PICK UP BUTTON.
- 6 PLATING: CONTACTS - 0.76µm MINIMUM GOLD ON MATING END,  
2.54µm MINIMUM TIN ON SOLDER TAILS, BOTH OVER  
1.27µm MINIMUM NICKEL.  
HOLDDOWNS: 2.54µm MINIMUM TIN OVER 1.27µm MINIMUM NICKEL.



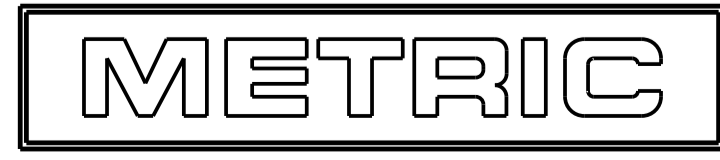
0.15  
 INCLUDES CONTACT TAILS,  
 HOUSING STANDOFFS, AND  
 BOARDLOCKS



PLATING	DIM Z	DIM V	DIM W	NO. OF POSN	PART NUMBER
6	33.00	40.41	40.00	12	3-1445096-2
6	30.00	37.41	37.00	11	3-1445096-1
6	27.00	34.41	34.00	10	3-1445096-0
6	24.00	31.41	31.00	9	2-1445096-9
6	21.00	28.41	28.00	8	2-1445096-8
6	18.00	25.41	25.00	7	2-1445096-7
6	15.00	22.41	22.00	6	2-1445096-6
6	12.00	19.41	19.00	5	2-1445096-5
6	9.00	16.41	16.00	4	2-1445096-4
6	6.00	13.41	13.00	3	2-1445096-3
6	3.00	10.41	10.00	2	2-1445096-2
2	33.00	40.41	40.00	12	1-1445096-2
2	30.00	37.41	37.00	11	1-1445096-1
2	27.00	34.41	34.00	10	1-1445096-0
2	24.00	31.41	31.00	9	1445096-9
2	21.00	28.41	28.00	8	1445096-8
2	18.00	25.41	25.00	7	1445096-7
2	15.00	22.41	22.00	6	1445096-6
2	12.00	19.41	19.00	5	1445096-5
2	9.00	16.41	16.00	4	1445096-4
2	6.00	13.41	13.00	3	1445096-3
2	3.00	10.41	10.00	2	1445096-2



PCB LAYOUT COMPONENT SIDE 4



THIS DRAWING IS A CONTROLLED DOCUMENT. DWN J.ROOT 09OCT2000  
 CHK K.WHLAKER 20-FEB-2001  
 APVD C.JONES 20-FEB-2001

**STE** TE Connectivity

NAME: VERTICAL SURFACE MOUNT HEADER ASSY,  
 30 MIC GOLD CONTACTS, SURF MOUNT  
 HOLDDOWNS, SGL ROW, MICRO MATE-N-LOK™

SIZE: A2 CAGE CODE: 00779 DRAWING NO: 1445096  
 RESTRICTED TO: -

MATERIAL: SEE TABLE  
 DIMENSIONS: mm  
 TOLERANCES UNLESS OTHERWISE SPECIFIED:  
 0 PLC ±  
 1 PLC ±  
 2 PLC ±0.13  
 3 PLC ±  
 4 PLC ±  
 ANGLES ±  
 FINISH ±

PRODUCT SPEC: -  
 APPLICATION SPEC: -  
 WEIGHT: -

CUSTOMER DRAWING SCALE: 5:1 SHEET 1 OF 1 REV: DI