

4

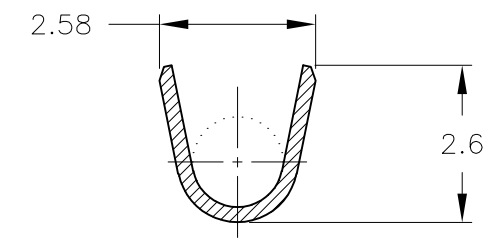
3

2

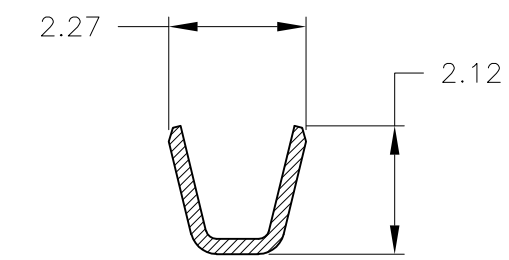
1

THIS DRAWING IS UNPUBLISHED. RELEASED FOR PUBLICATION ,1998
 ALL RIGHTS RESERVED.

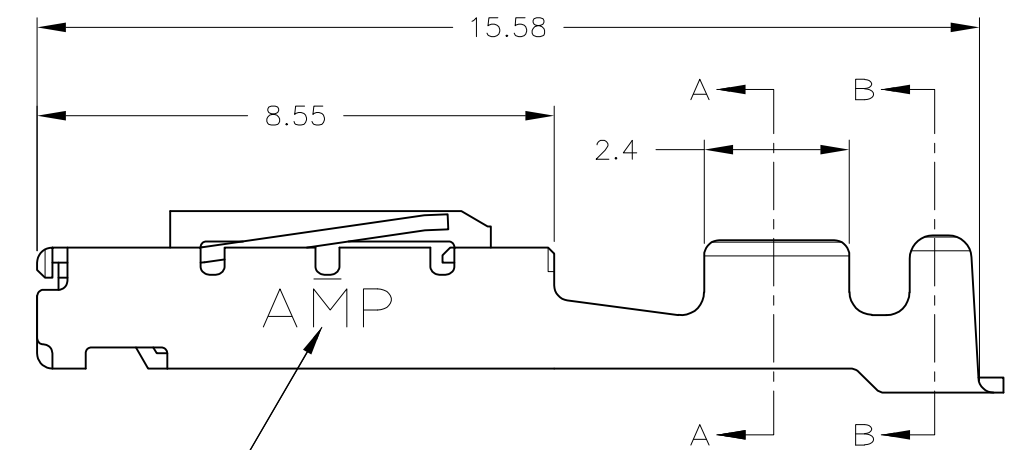
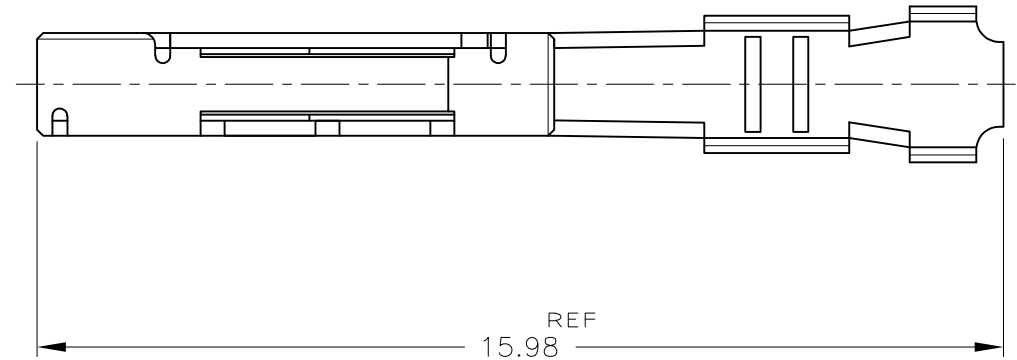
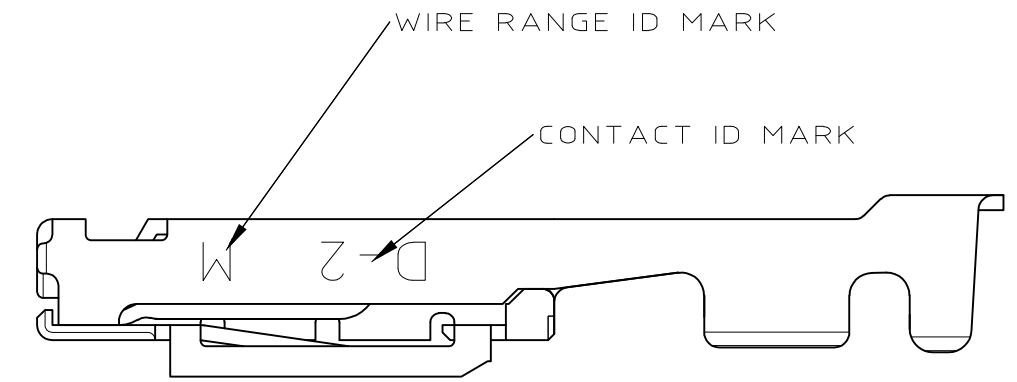
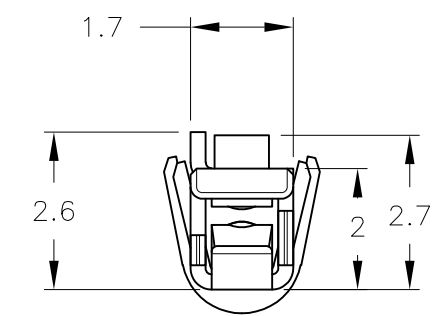
LOC		DIST		REVISIONS			
P	LTR	DESCRIPTION		DATE	DWN	APVD	
	B1	REVISED PER ECO-11-005030		22MAR11	RK	HMR	



SECT B-B



SECT A-A



-1:AS SHOWN

NOTES
 1. FINISH(CONTACT AREA):0.38μmMIN GOLD PLATING OVER Ni PLATING

DIMENSIONS: mm		TOLERANCES UNLESS OTHERWISE SPECIFIED		DWN K.IKEDA 7/DEC/'98
		± 0.3 $>10 : \pm 0.35$ $>30 : \pm 0.4$ ANGLE : $\pm 3'$		CHK N.MATSUBARA 7/DEC/'98
				APVD I.HASEGAWA 7/DEC/'98
MATERIAL (COPPER ALLOY)		FINISH SEE NOTE		PRODUCT SPEC 108-5619
				APPLICATION SPEC 114-5258
				WEIGHT
				CUSTOMER DRAWING

WIRE RANGE AWG #22~#18		INSULATION DIA 1.3~1.9	
REC CONTACT "M" SIZE, L/P <DYNAMIC D-2 SERIES>			
SIZE A3	CAGE CODE 00779	DRAWING NO C-1318107	RESTRICTED TO -
SCALE 8-1		SHEET 1 OF 1	
		REV B1	