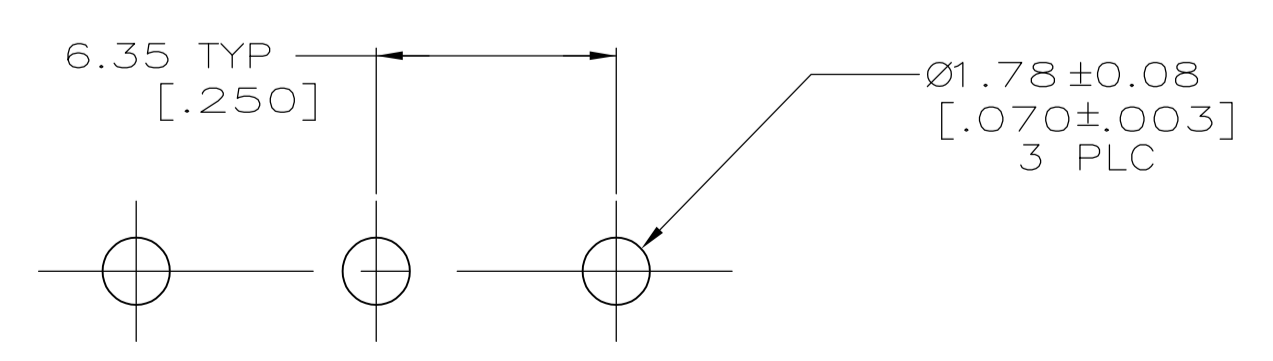
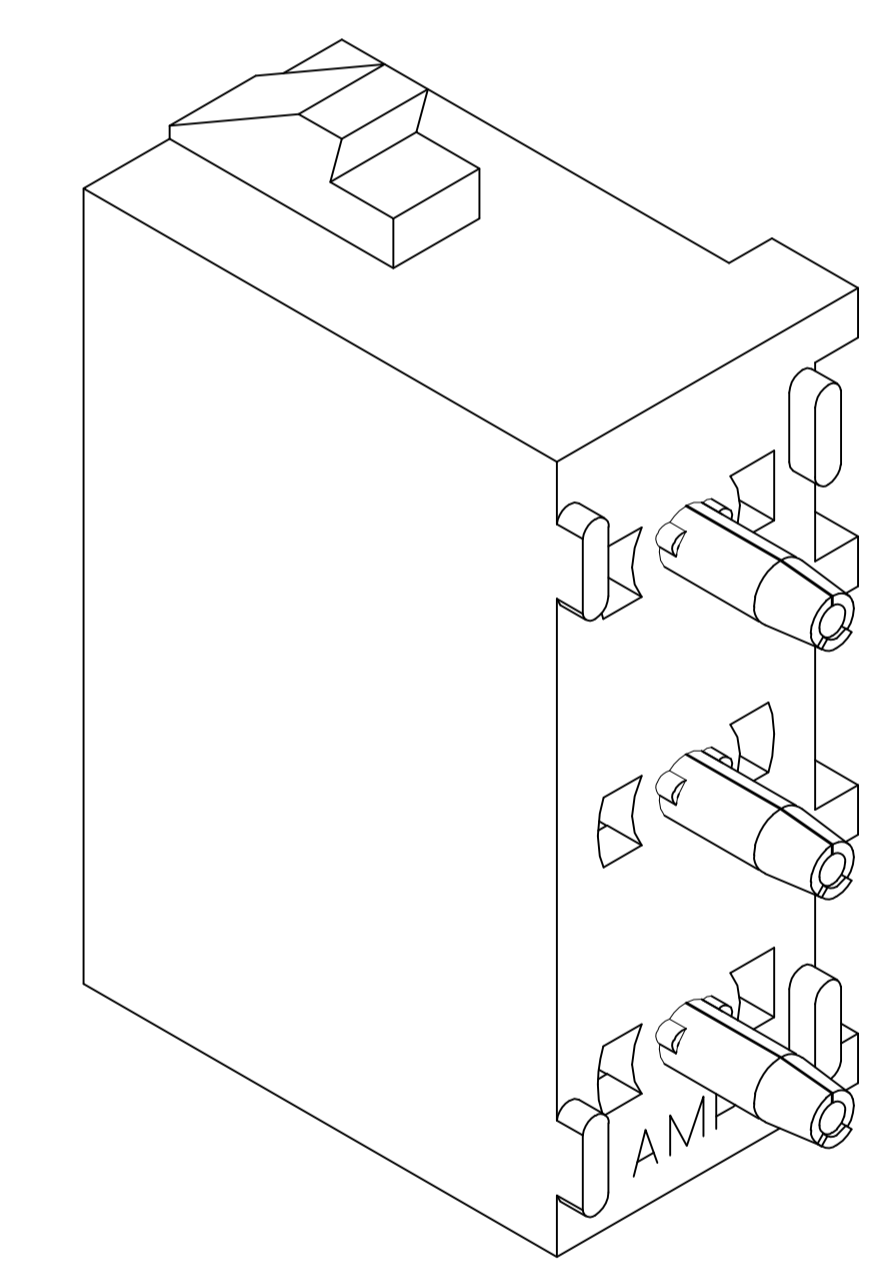
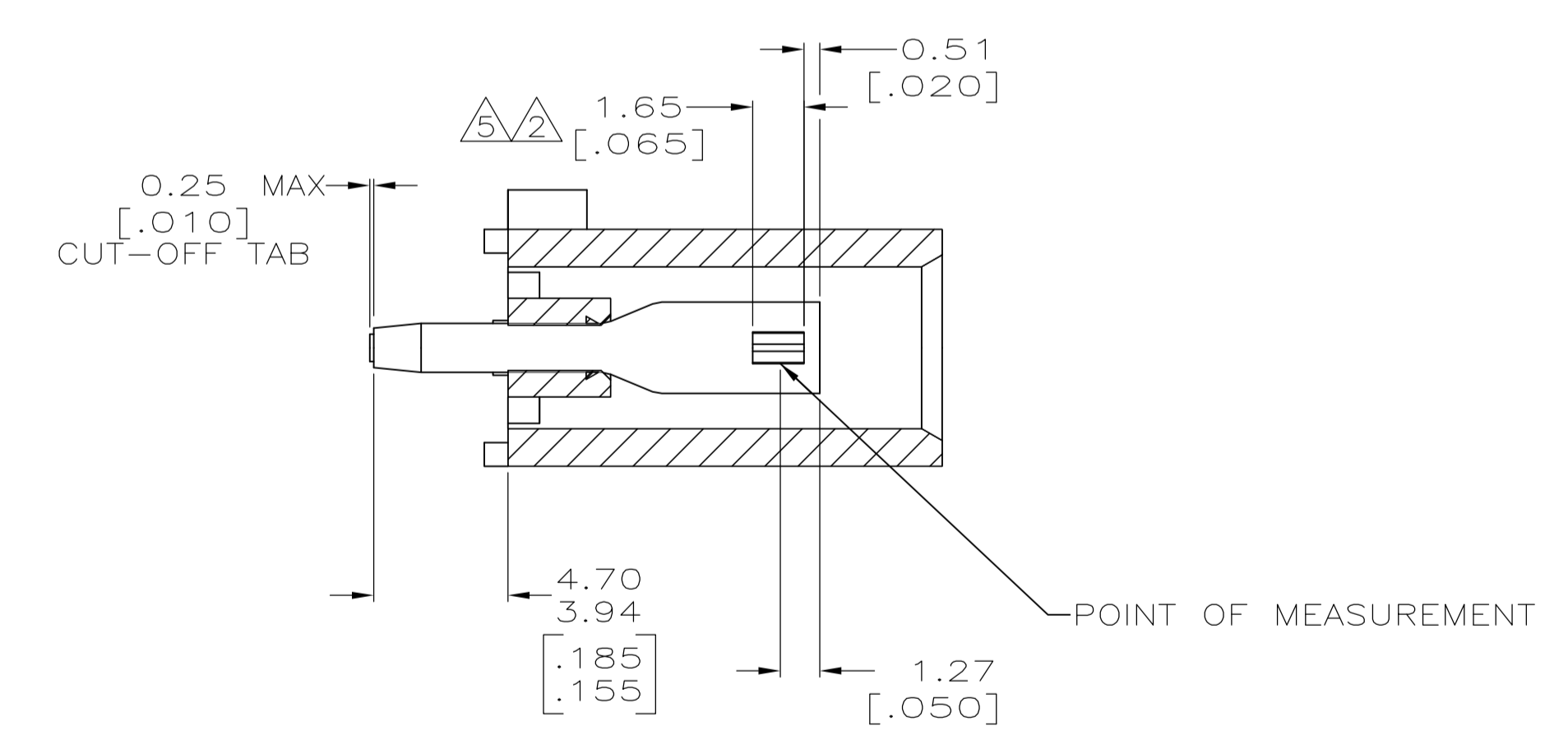
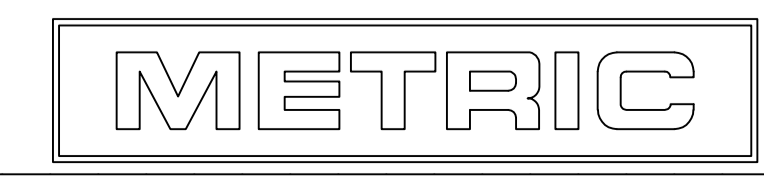


- PARTS COMPLY TO AMP SOLDERABILITY SPECIFICATION 109-11-3.
- CONTACT IS PLATED OVERALL WITH 0.00127 [.000050] NICKEL, THEN 0.00076 [.000030] GOLD OVER CONTACT LENGTH INDICATED AND MATTE TIN LEAD ON SOLDER TAIL END.
- CIRCUIT IDENTIFICATION CHARACTERS ARE ADJACENT TO THE INDICATED CAVITIES, BUT LOCATION AND ORIENTATION MAY DIFFER FROM PRINT.
- DIMENSIONS IN BRACKETS ARE IN INCHES.
- CONTACT IS PLATED OVERALL WITH 0.00127 [.000050] NICKEL, THEN 0.00076 [.000030] GOLD OVER CONTACT LENGTH INDICATED AND MATTE TIN ON SOLDER TAIL END.



RECOMMENDED MOUNTING HOLE PATTERN FOR 1.57 [.062] THICK P.C. BOARD

PHOSPHOR BRONZE, GOLD	NYLON,UL94V-2,NATURAL	350760-5
PHOSPHOR BRONZE, PRE-TIN	NYLON,UL94V-2,NATURAL	350760-4
PHOSPHOR BRONZE, GOLD	NYLON,UL94V-2,NATURAL	350760-3
CONTACT MATERIAL AND FINISH	HOUSING MATERIAL	PART NUMBER



THIS DRAWING IS A CONTROLLED DOCUMENT.		DIN 8-19-98	TE Connectivity
DIMENSIONS: mm [INCHES]		8-19-98	
TOLERANCES UNLESS OTHERWISE SPECIFIED:		8-19-98	NAME
0 PLC ± -	1 PLC ± -	2 PLC ± 0.13 [.005]	SOCKET HEADER ASSEMBLY, 3 CIRCUIT UNIVERSAL MATE-N-LOK™
3 PLC ± -	4 PLC ± -	ANGLES ± ± 0°30'	SIZE
MATERIAL SEE TABLE		FINISH SEE TABLE	WEIGHT
CUSTOMER DRAWING		SCALE 5:1	SHEET 1 OF 1 REV T1