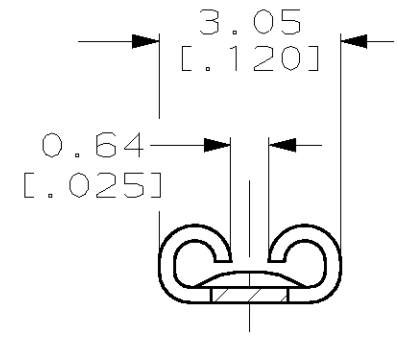
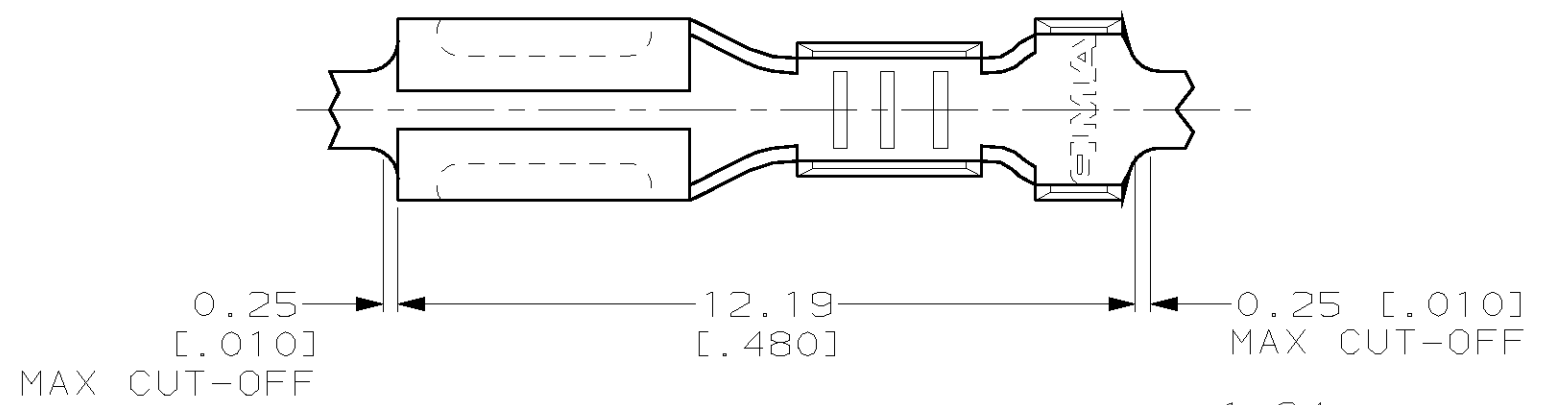


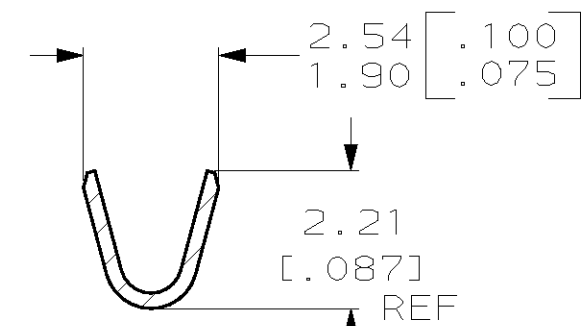
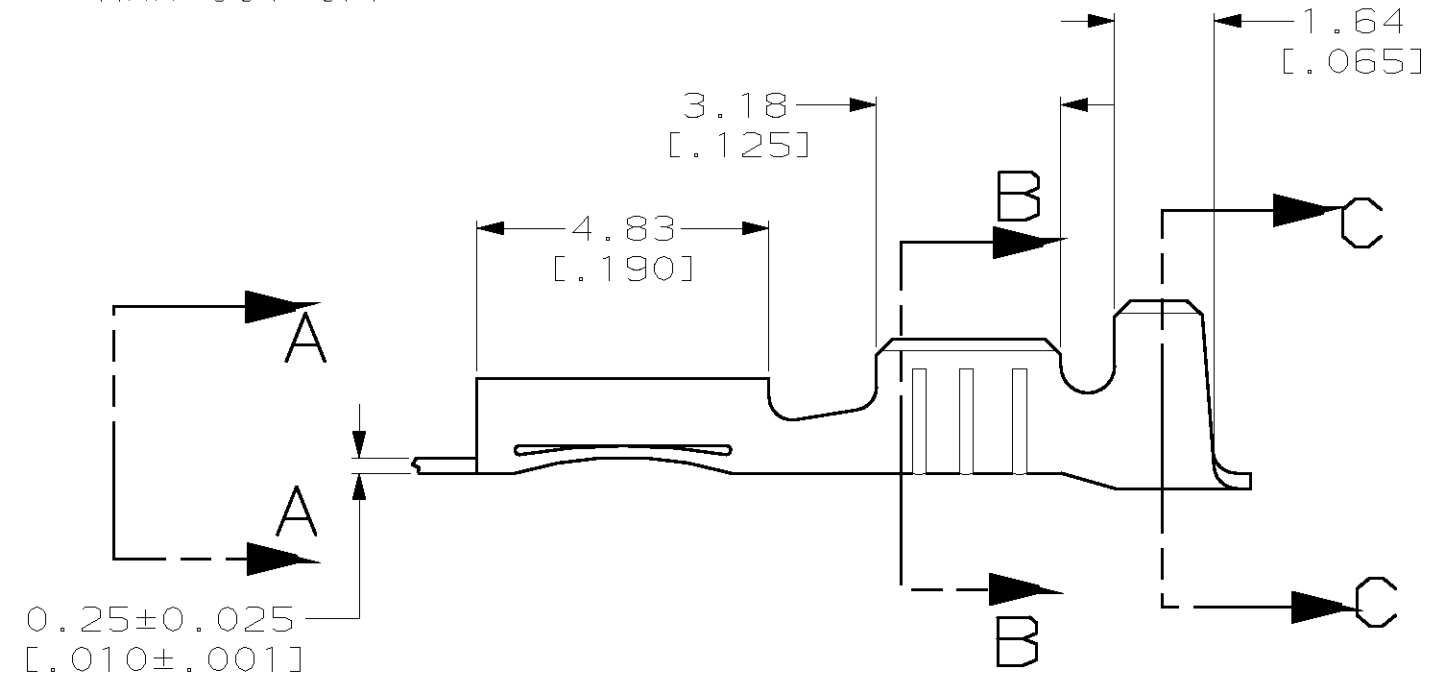
THIS DRAWING IS UNPUBLISHED. RELEASED FOR PUBLICATION, 19 .
 © COPYRIGHT 19 BY AMP INCORPORATED. ALL RIGHTS RESERVED.

LOC	DIST	REVISIONS			
P	LTR	DESCRIPTION	DATE	DWN	APVD
AF	50	E	REDRAWN PER 0L10-0028-98	1/29/98	JR JG

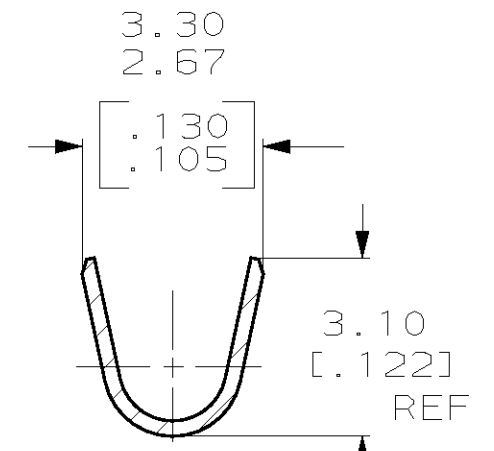
- 1 SUPPLIED IN LOOSE PIECE OR STRIP FORM, SEE DASH NUMBERS.
- 2 WIRE SIZE [#22-#18] AWG.
- 3 MATING TAB IS 0.25±0.025 [.010±.001] THK.
- 4 INSULATION RANGE IS 1.27-2.16 [.050-.085] DIA.



VIEW A-A



SECTION B-B



SECTION C-C

STRIP	63391-2
LOOSE PIECE	63391-1
SUPPLIED TO CUSTOMER	PART NO.

THIS DRAWING IS A CONTROLLED DOCUMENT.		DWN	JR RUTH	1/29/98	AMP Incorporated Harrisburg, PA 17105-3608		
DIMENSIONS: MM [INCHES]		CHK	P FORTNEY	1/29/98			
TOLERANCES UNLESS OTHERWISE SPECIFIED:		APVD	J GILLESPIE	1/29/98			
0 PLC ±- 1 PLC ±- 2 PLC ±0.25 [.010] 3 PLC ±- 4 PLC ±- ANGLES ±-		PRODUCT SPEC	-				
MATERIAL	H04 BRASS	FINISH	0.002032 [.000080] PRE-TIN		NAME	RECEPTACLE, TAB, 2.36 [.093]	
CUSTOMER DRAWING		WEIGHT	-		SIZE	A3	
SCALE		8:1		SHEET	1 OF 1	REV	E