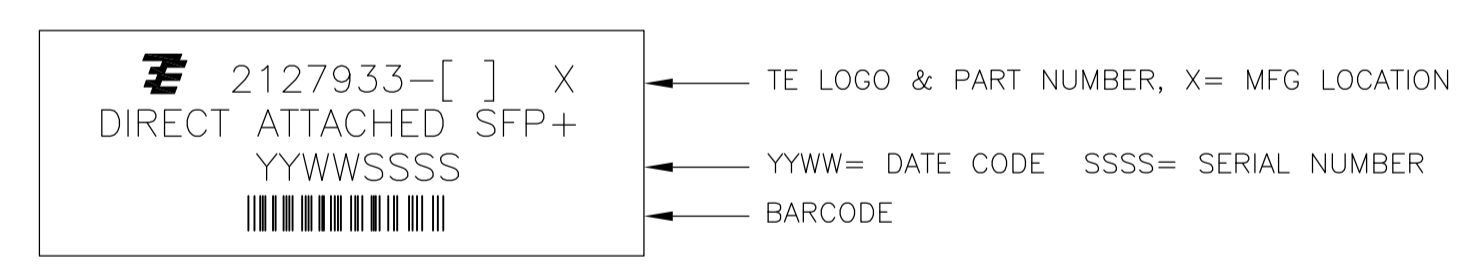
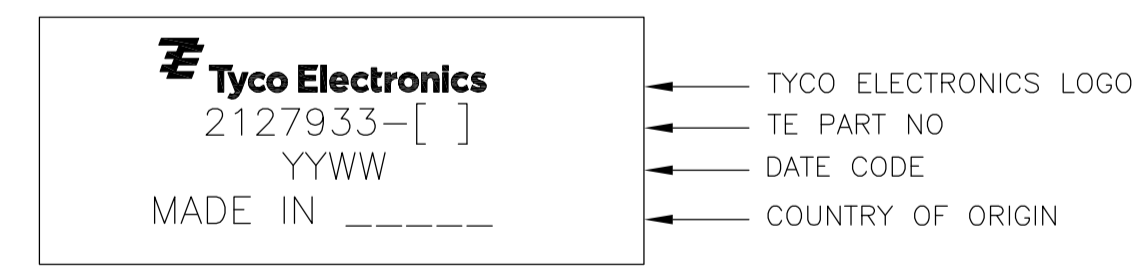


1. CHARACTERISTIC IMPEDANCE: 100±10 OHMS
 (MEASURED DIFFERENTIALLY).

△2 LABEL INFORMATION:



△3 LABEL INFORMATION:

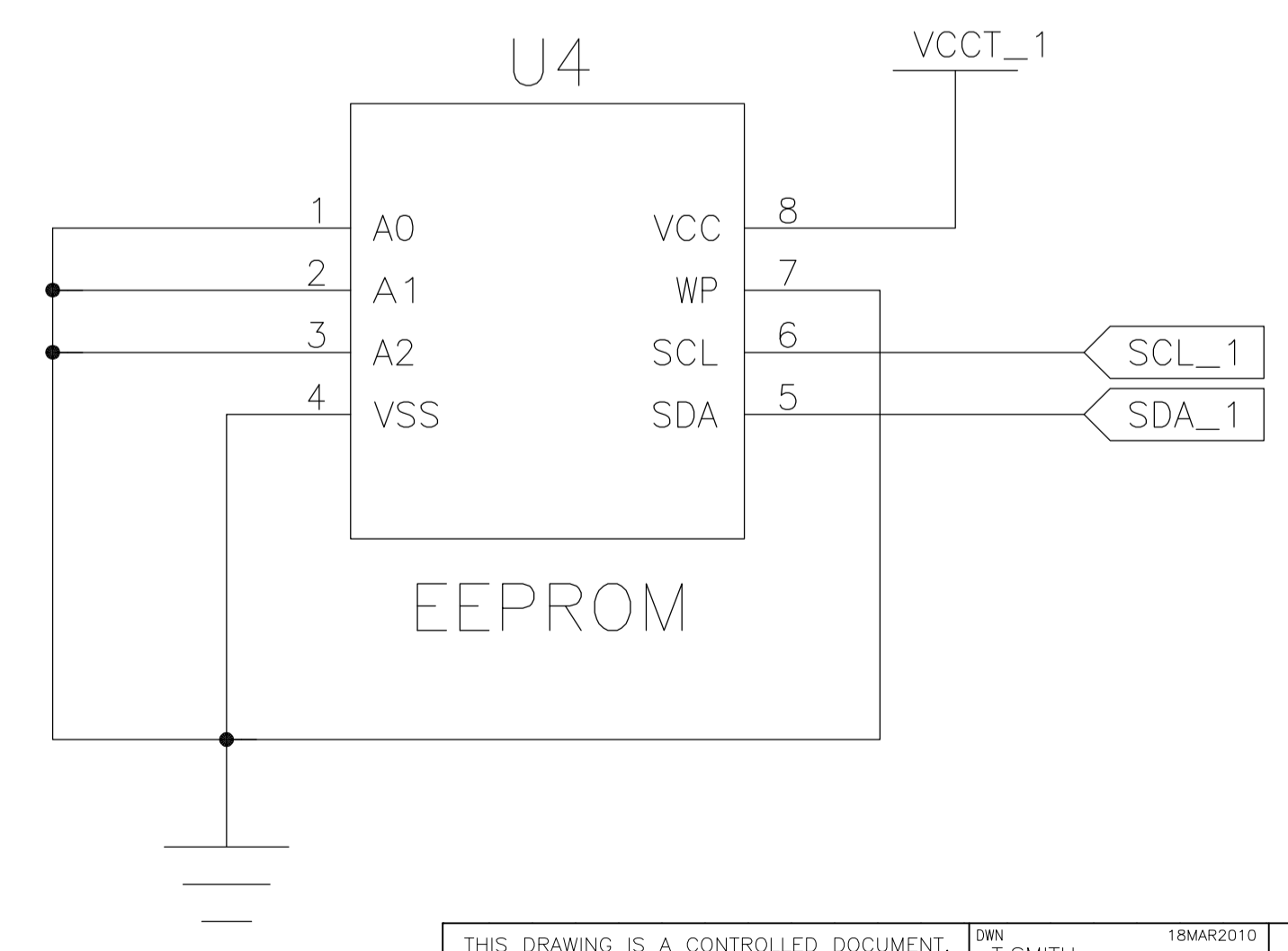
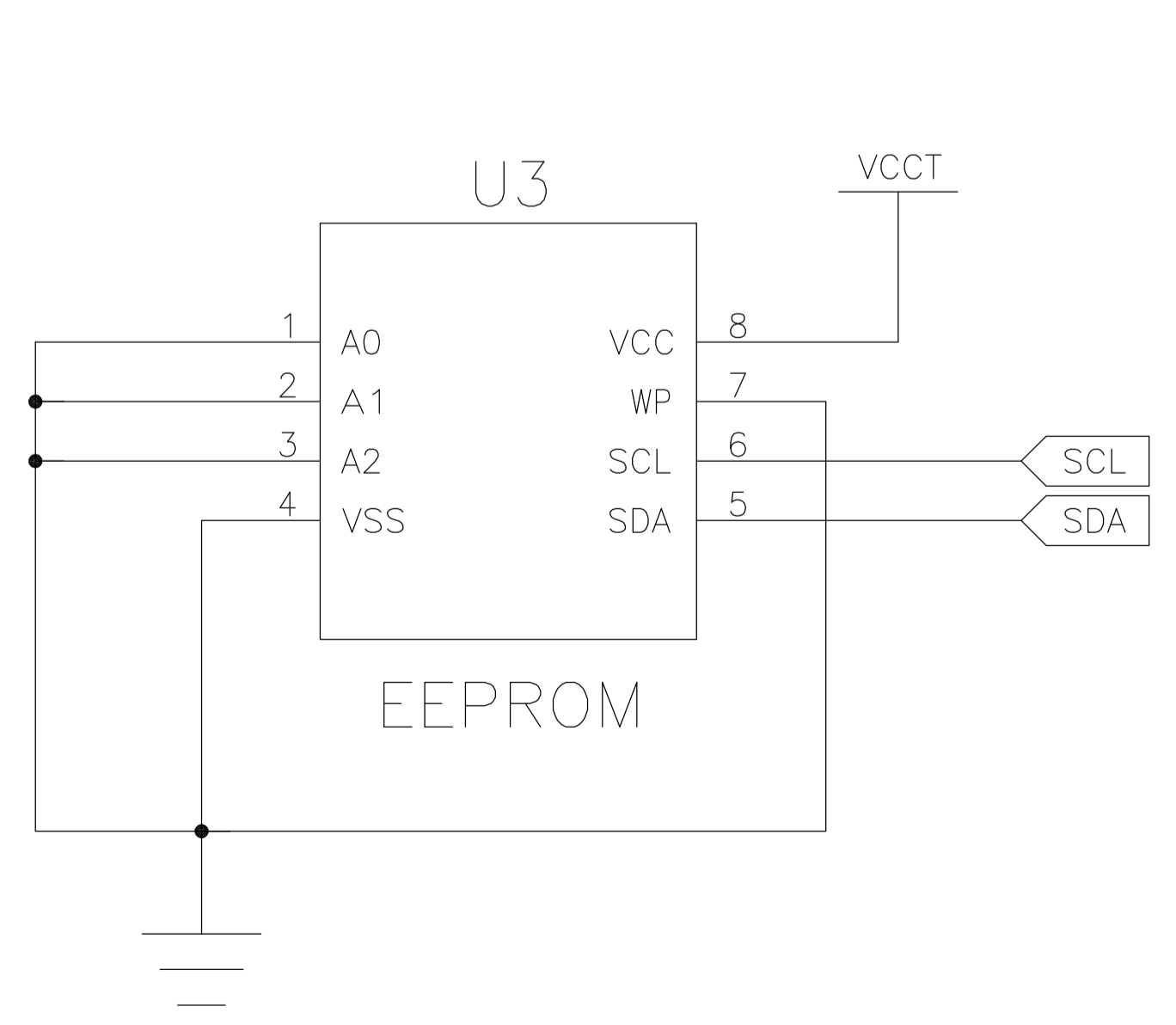
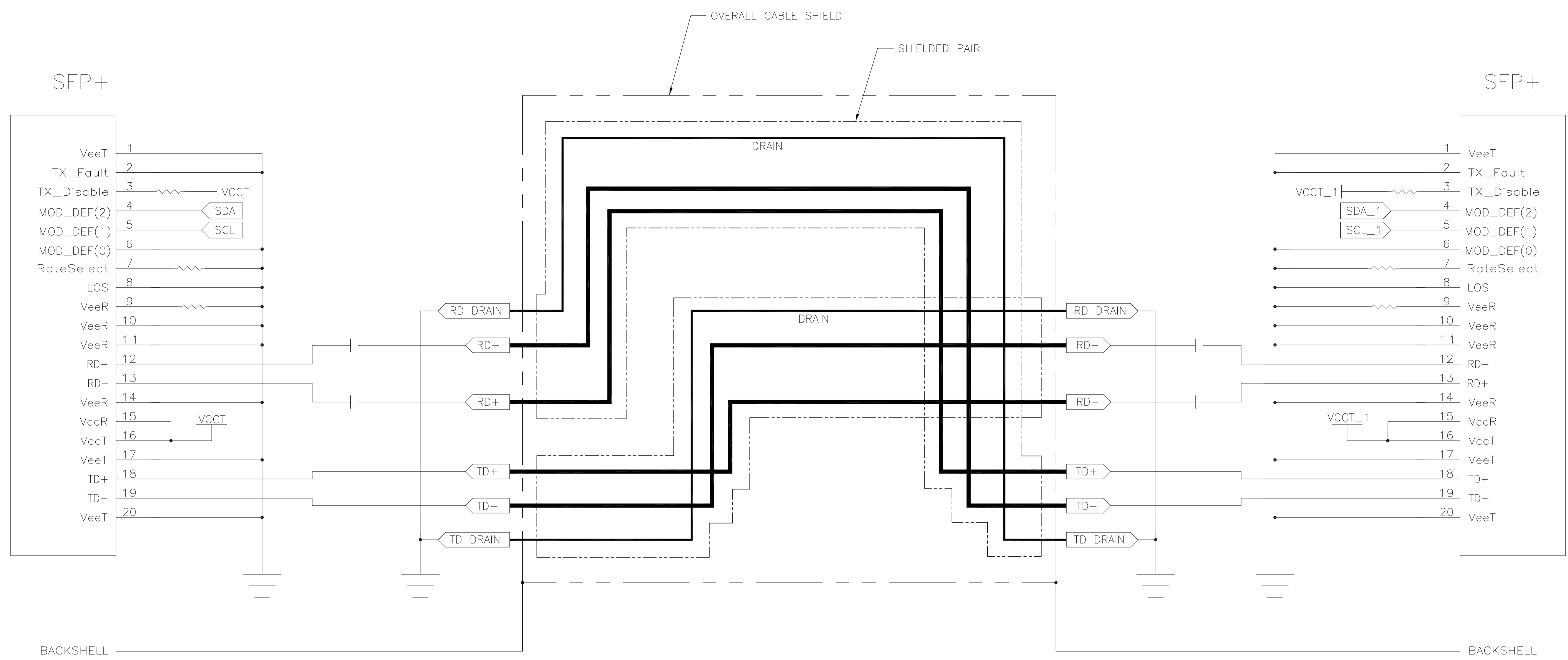


4. SEE SHEET 2 FOR WIRING SCHEMATIC.

5. ROHS COMPLIANCE: PRODUCT AND PROCESSING MEETS REQUIREMENTS OF
 TYCO ELECTRONICS SPECIFICATION TEC-138-702.

6	+0.1 -0	METERS	2127933-7
5	+0.1 -0	METERS	2127933-6
4	+0.08 -0	METERS	2127933-5
3	+0.08 -0	METERS	2127933-4
2	+0.08 -0	METERS	2127933-3
1	+0.05 -0	METERS	2127933-2
0.5	+0.05 -0	METERS	2127933-1
L		PART NO	

THIS DRAWING IS A CONTROLLED DOCUMENT.		DIN T. SMITH 18MAR2010		Tyco Electronics Corporation	
DIMENSIONS: mm		CHK C. ADAMS 18MAR2010		Harrisburg, PA 17105-3608	
TOLERANCES UNLESS OTHERWISE SPECIFIED:		APVD C. ADAMS 18MAR2010		NAME	
0 PLC	± -	PRODUCT SPEC		CABLE ASSY, 26 AWG, SFP+ TO SFP+	
1 PLC	± -	APPLICATION SPEC		-	
2 PLC	± -	SIZE		A1	
3 PLC	± -	CAGE CODE		00779	
4 PLC	± -	DRAWING NO		C=2127933	
ANGLES	± -	WEIGHT		-	
MATERIAL		CUSTOMER DRAWING		SCALE 1:1 SHEET 1 OF 2 REV A	



THIS DRAWING IS A CONTROLLED DOCUMENT.		DIN T. SMITH 18MAR2010	Tyco Electronics Corporation Harrisburg, PA 17105-3608
DIMENSIONS: mm		CHK C. ADAMS 18MAR2010	
TOLERANCES UNLESS OTHERWISE SPECIFIED: 0. PLC ± - 1. PLC ± - 2. PLC ± - 3. PLC ± - 4. PLC ± - ANGLES ± -		APVD C. ADAMS 18MAR2010	NAME CABLE ASSY, 26 AWG, SFP+ TO SFP+
MATERIAL		WEIGHT	SIZE A1
		FINISH	CAGE CODE 00779
			DRAWING NO. 2127933
			RESTRICTED TO
			SCALE 1:1
			SHEET 2 OF 2
			REV A
			CUSTOMER DRAWING