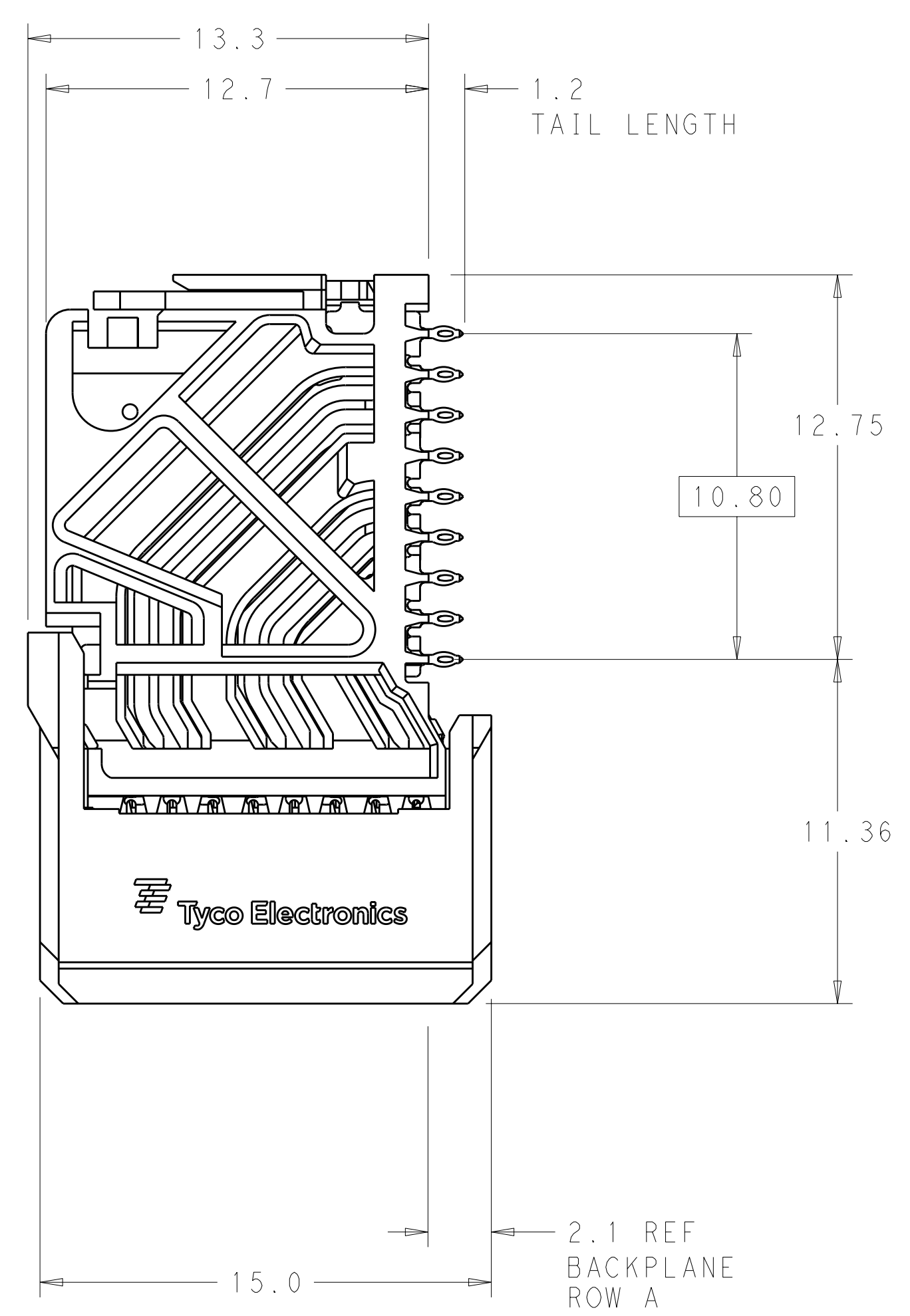
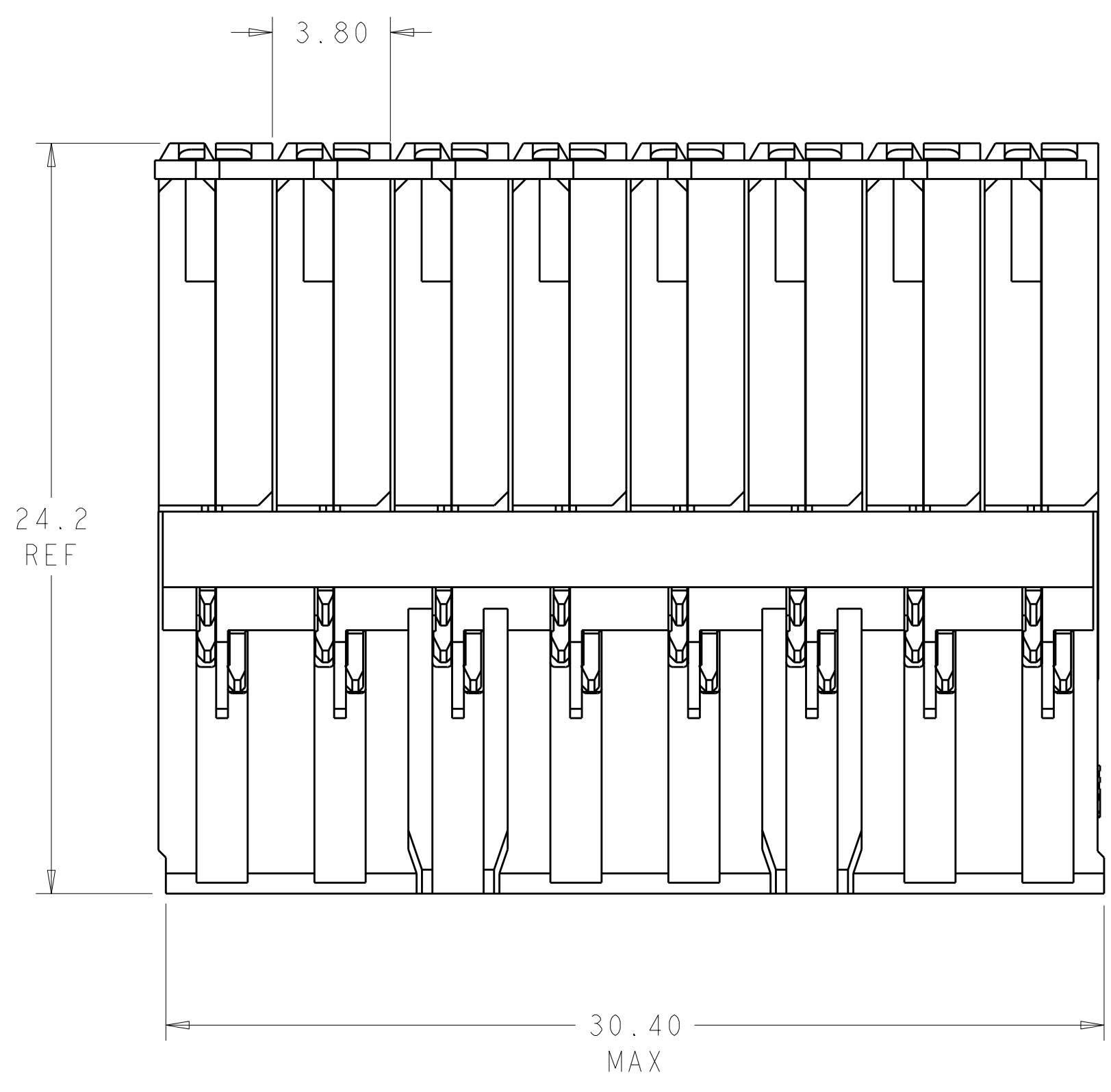
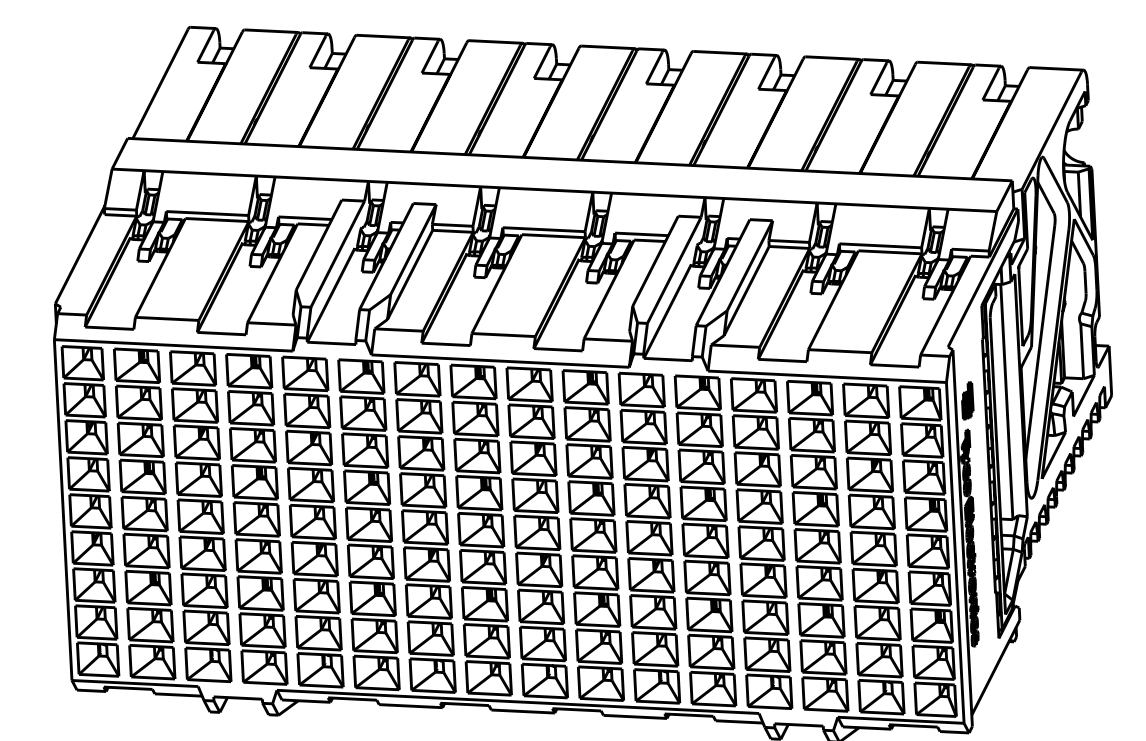


LOC	DIST	REV	DATE	BY	APPD
AD	00	E2	13JAN2012	KH	DD

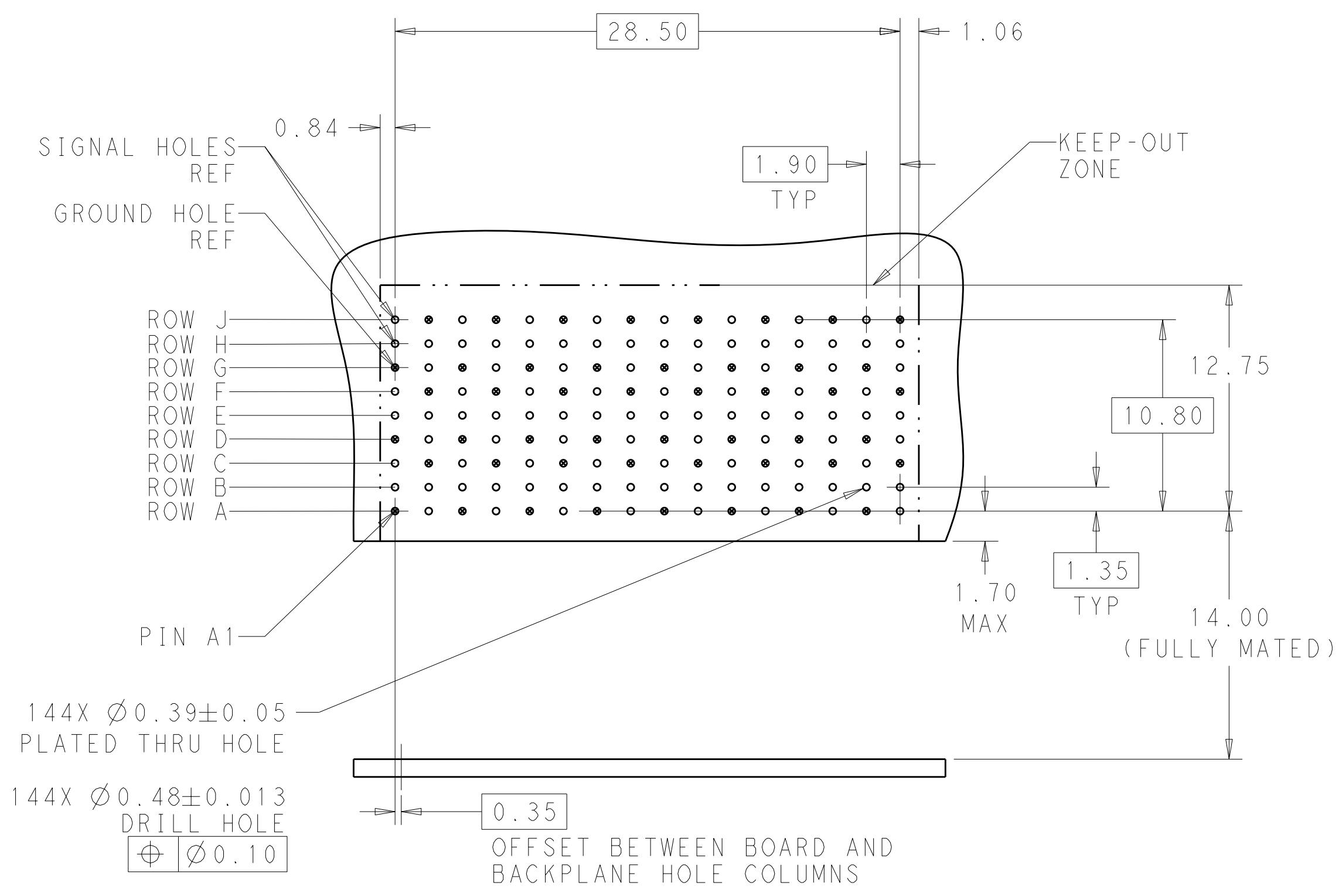
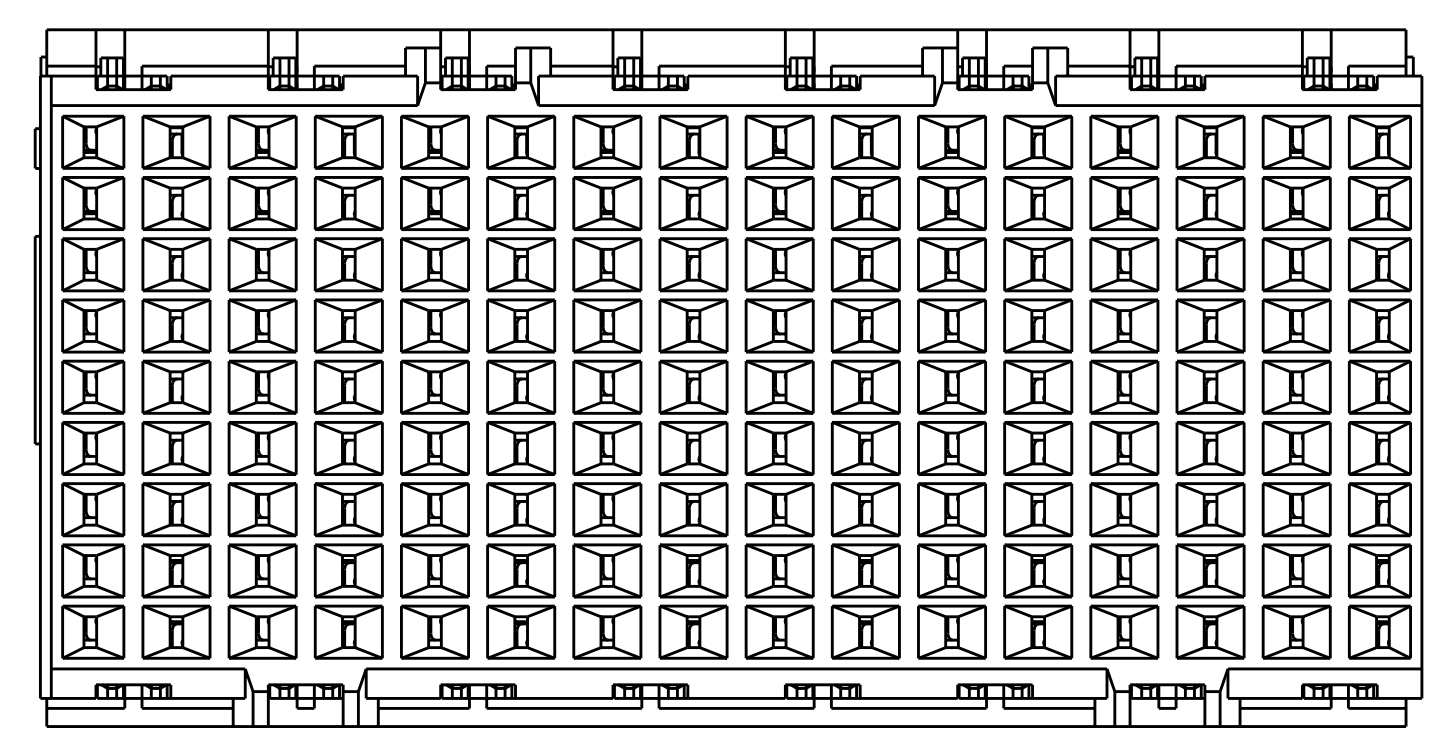


- 1 MATERIAL:  
HOUSING: LCP, GLASS FILLED, UL94V-0.  
TERMINALS: HIGH PERFORMANCE COPPER ALLOY.
- 2 FINISH:  
30 μ" SELECTIVE GOLD IN CONTACT AREA. SELECTIVE TIN ON PCB TAILS, NICKEL OVERALL.
- 3 FINISH:  
30 μ" SELECTIVE GOLD IN CONTACT AREA. SELECTIVE TIN-LEAD ON PCB TAILS, NICKEL OVERALL.



SCALE 4:1

REFER TO WWW.TE.COM FOR PRODUCT AVAILABILITY



KEY POSITION CHART	
	NONE

144X Ø0.39±0.05 PLATED THRU HOLE  
 144X Ø0.48±0.013 DRILL HOLE  
 Ø0.10

RECOMMENDED PCB LAYOUT  
 MIN BOARD THICKNESS 1.0

KEY POSITION	FINISH	PART NUMBER
NONE	3	2007711-5
NONE	2	2007711-1

DIMENSIONS:		TOLERANCES UNLESS OTHERWISE SPECIFIED:		MATERIAL:	
mm	0 PLC ±	1 PLC ±0.2	2 PLC ±0.13	3 PLC ±	4 PLC ±
	ANGLES	±	±	FINISH	SEE TABLE

THIS DRAWING IS A CONTROLLED DOCUMENT.	DWN 05APR2011	NAME
CHK D. DIXON 05APR2011	APVD D. DIXON 05APR2011	IMPACT, 3 PAIR, DAUGHTERCARD
		16 COLUMN, UNGUIDED, SIGNAL MODULE, 0.39 EYELET
		SIZE CAGE CODE DRAWING NO RESTRICTED TO
		A100779C=2007711
		CUSTOMER DRAWING SCALE 6:1 SHEET 1 OF 1 REV E2