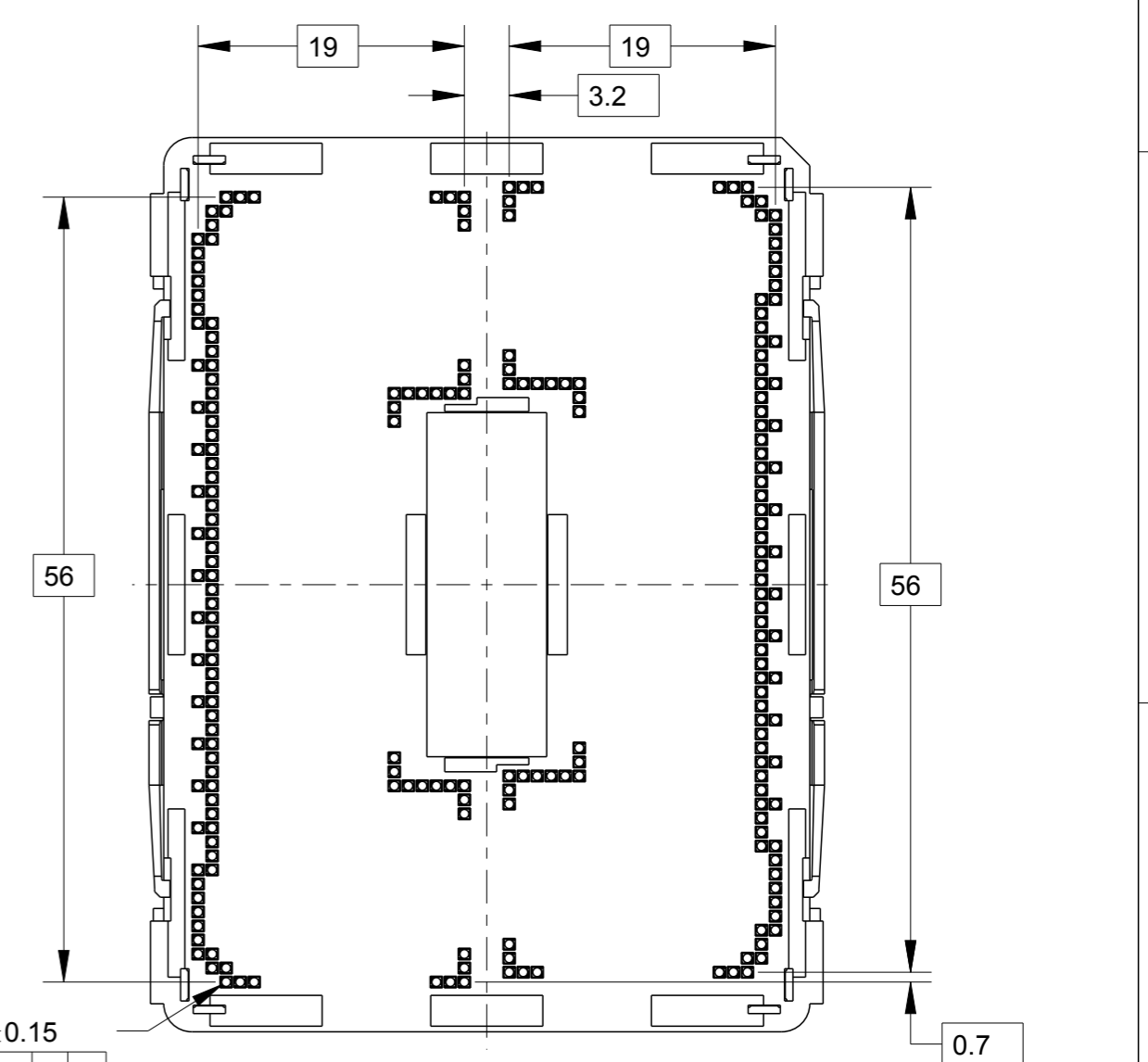
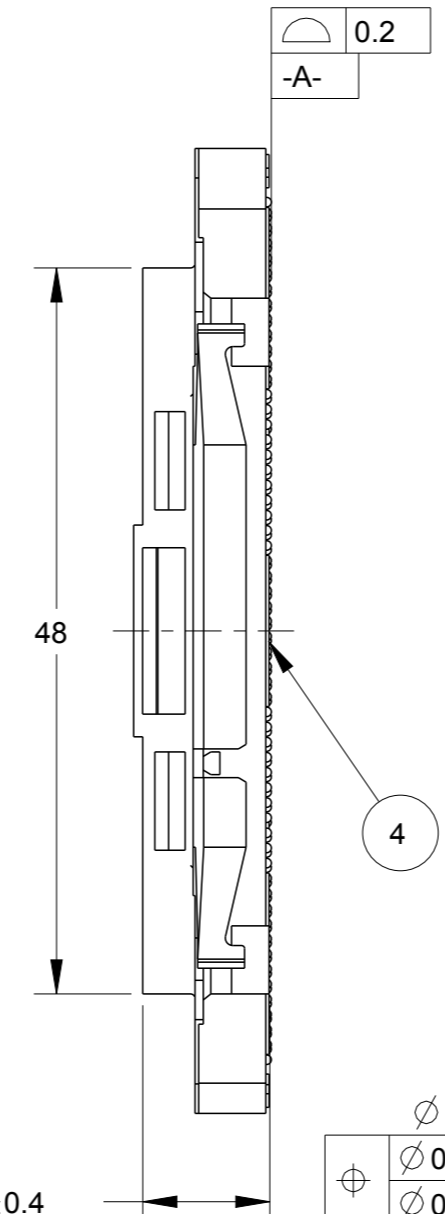
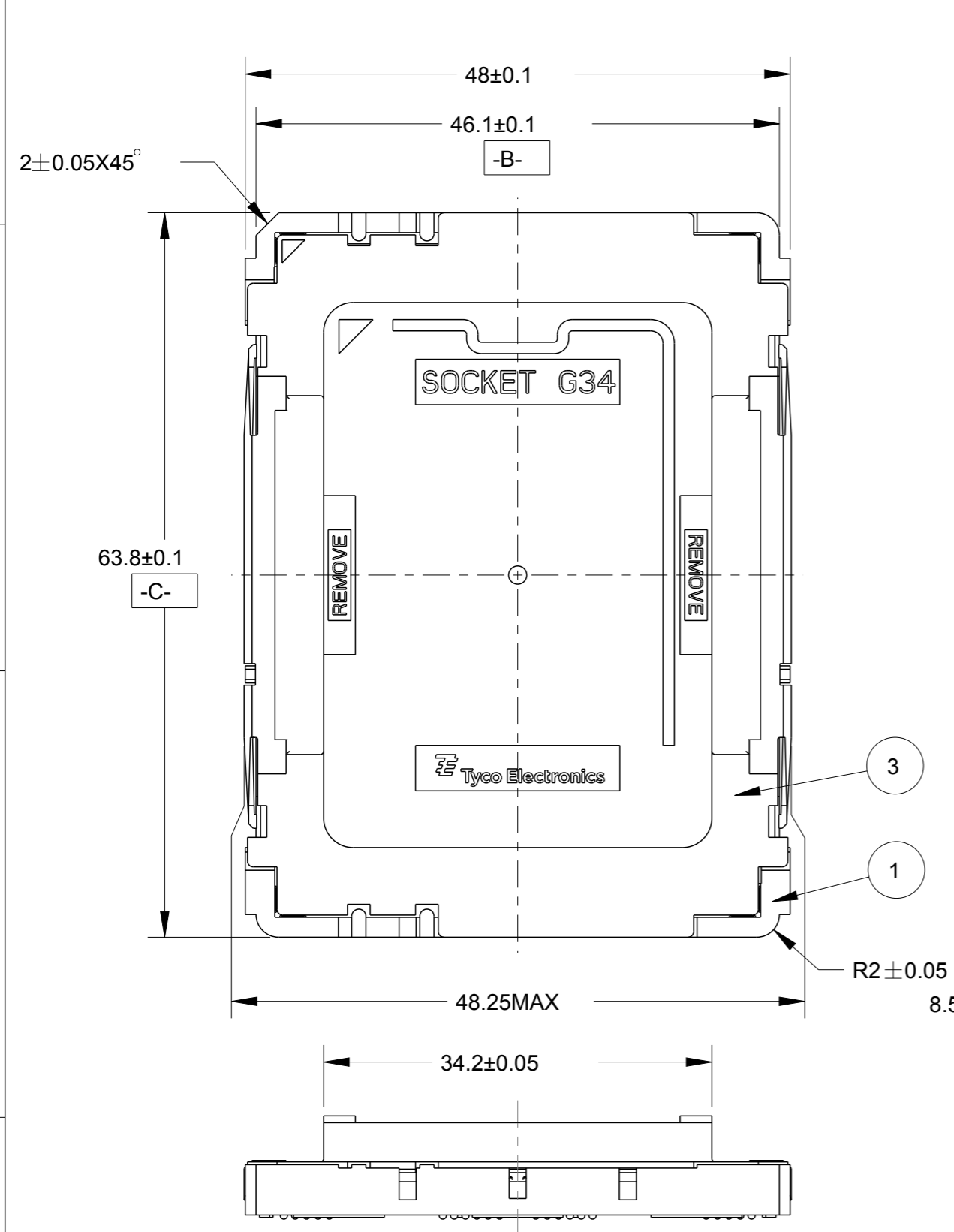


THIS DRAWING IS UNPUBLISHED. RELEASED FOR PUBLICATION 20
 © COPYRIGHT 20 BY - ALL RIGHTS RESERVED.

LOC	DIST	REVISIONS			
P	LTR	DESCRIPTION	DATE	DWN	APVD
ES	-	A	REVISED	15NOV2010	MI TK
		B	REVISED	10NOV2011	M.L C.W



2069189-3	LEAD FREE	0.38um
2069189-2	LEADED	0.76um
2069189-1	LEAD FREE	0.76um
PARTS NUMBER	SOLDER BALL TYPE	AU PLATING THK

LEAD FREE/LEADED	SOLDER BALL	4
THERMO-PLASTICS	COVER CAP	3
COPPER ALLOY	CONTACT	2
LCP	HOUSING	1
MATERIAL	PARTS NAME	ITEM

THIS DRAWING IS A CONTROLLED DOCUMENT.		DWN MURRAY LU 10NOV2011
DIMENSIONS: mm		CHK SIMON LI 10NOV2011
TOLERANCES UNLESS OTHERWISE SPECIFIED:		APVD COREL WANG 10NOV2011
0-PLC	±	PRODUCT SPEC
1-PLC	±	APPLICATION SPEC
2-PLC	±0.3	WEIGHT
3-PLC	±3°	CUSTOMER DRAWING
4-PLC	±	SCALE NONE
ANGLES	±	SHEET 1 OF 4
MATERIAL	FINISH	REV B

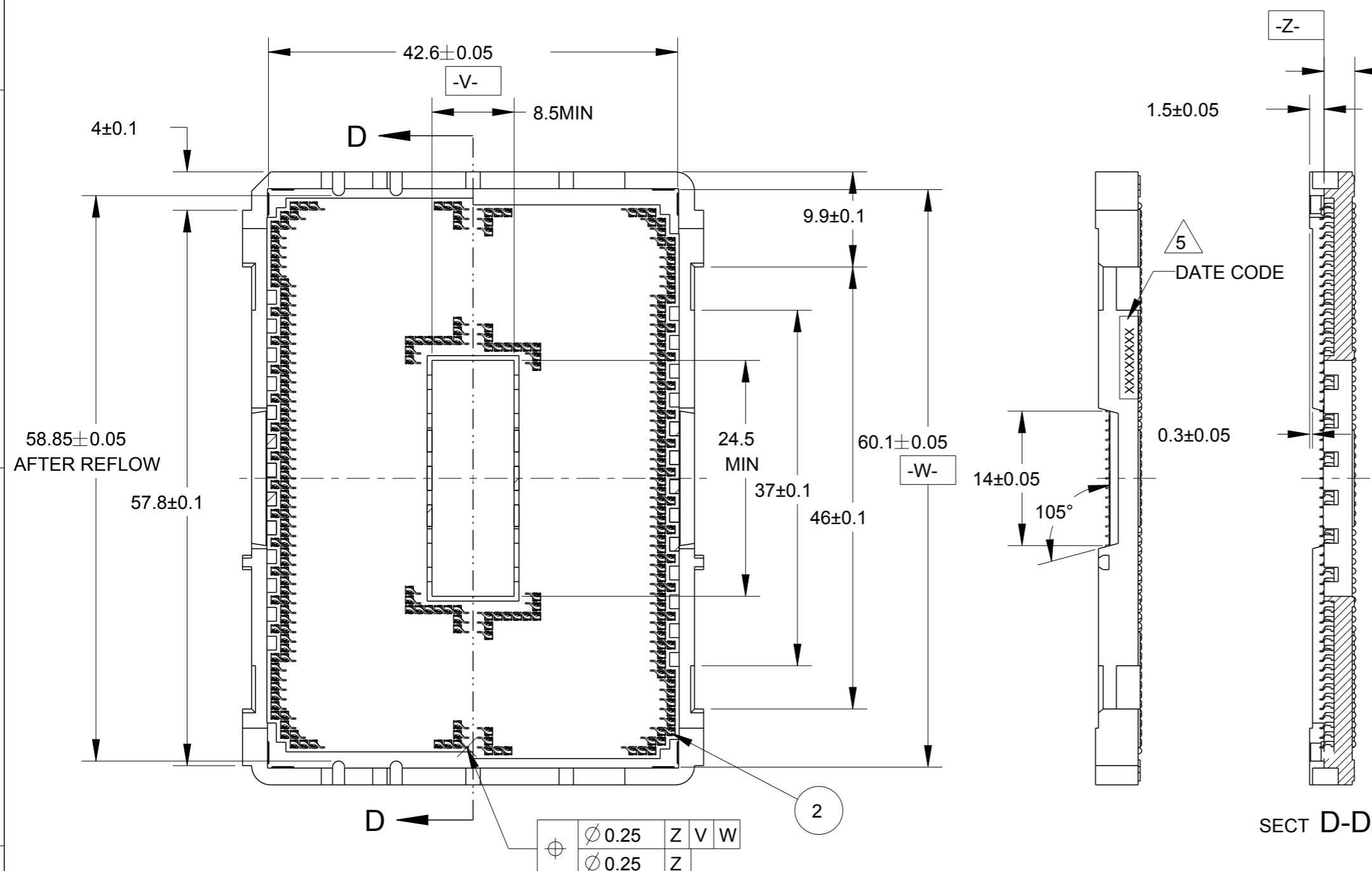
STE TE Connectivity

NAME: SOCKET ASSY LGA SOCKET 1944 (G34)

SIZE: A3 CAGE CODE: 00779 DRAWING NO: C-2069189 RESTRICTED TO: -

THIS DRAWING IS UNPUBLISHED. RELEASED FOR PUBLICATION 20
 © COPYRIGHT 20 BY - ALL RIGHTS RESERVED.

LOC	DIST	REVISIONS			
P	LTR	DESCRIPTION	DATE	DWN	APVD
		SEE SHEET 1			



1. APPLICABLE PARTS NUMBER OF SOCKET ACTUATION MECHANISM IS 2069190-1
2. PARTS NUMBER COMBINED WITH SOCKET ACTUATION MECHANISM IS 2069197-1 (LEAD FREE /0.76um AU), 2069197-2 (LEADED /0.76um AU), 2069197-3 (LEAD FREE /0.38um AU)
3. COVER CAP PART NUMBER : 2069192-1
- 4 DIMENSION APPLIES ONLY WHEN AMD REFERENCE BACK PLATE DESIGN IS USED.
- 5 DATE CODE INDICATION
 XXXXXXXX
 TYPE (LF:LEAD FREE, L:LEADED)
 SHIFT(DAY:D, NIGHT:N)
 DAY OF A WEEK (1~7)
 WEEK (01~52 OR 53)
 YEAR (EX 2008:08)

SECT D-D

THIS DRAWING IS A CONTROLLED DOCUMENT.		DWN MURRAY LU 10NOV2011	TE Connectivity	
DIMENSIONS: mm		CHK SIMON LI 10NOV2011		
TOLERANCES UNLESS OTHERWISE SPECIFIED:		APVD COREL WANG 10NOV2011	NAME SOCKET ASSY LGA SOCKET 1944 (G34)	
0-PLC ± 1-PLC ± 2-PLC ± 3-PLC ± 4-PLC ± ANGLES ±3°		PRODUCT SPEC -	SIZE A3	
MATERIAL -		APPLICATION SPEC -	CAGE CODE 00779	DRAWING NO C-2069189
FINISH -		WEIGHT -	RESTRICTED TO -	
CUSTOMER DRAWING			SCALE NONE	SHEET 2 OF 4 REV B

THIS DRAWING IS UNPUBLISHED.

RELEASED FOR PUBLICATION

20

© COPYRIGHT 20 BY -

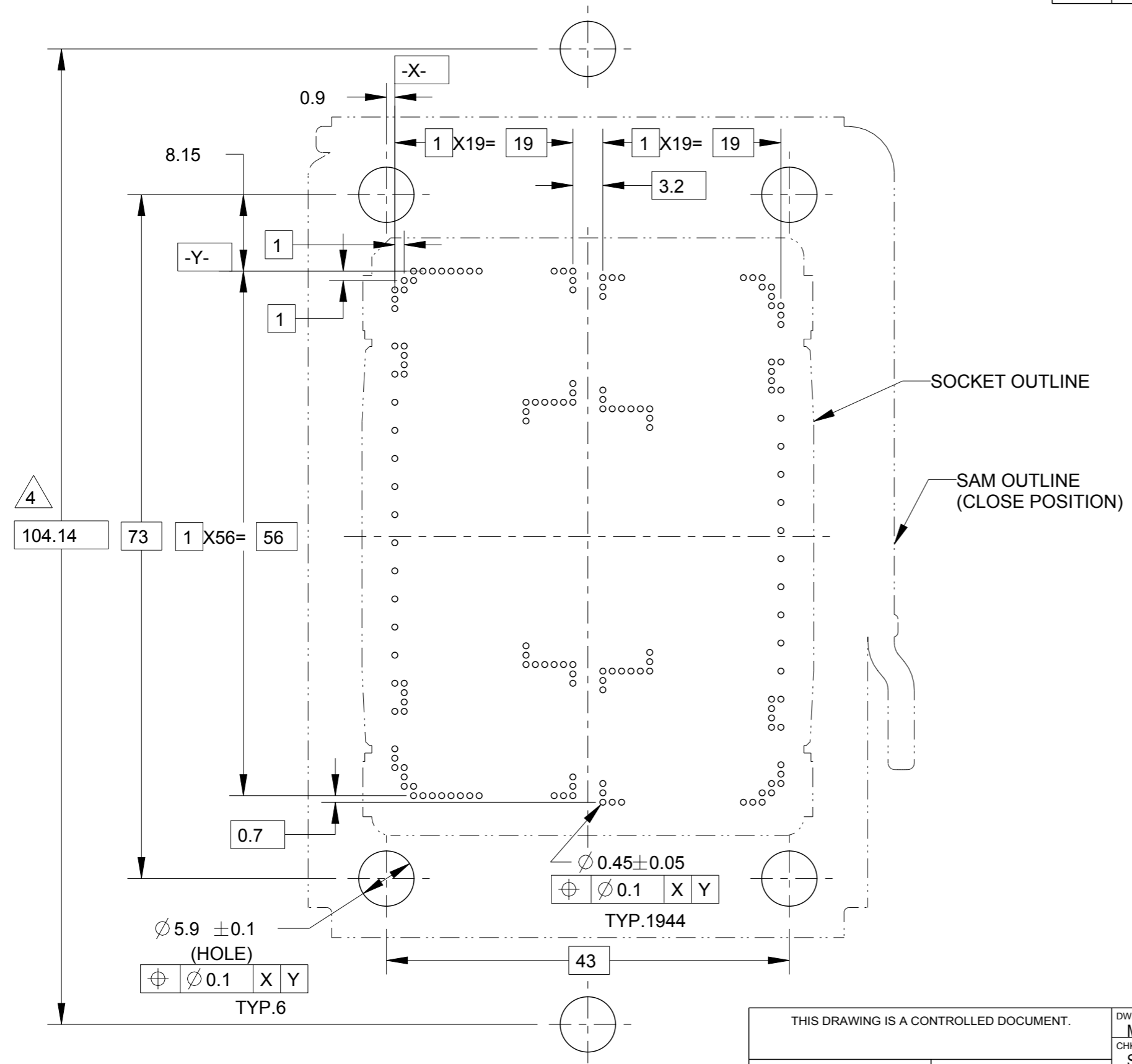
ALL RIGHTS RESERVED.

LOC
ES

DIST
-

REVISIONS

P	LTR	DESCRIPTION	DATE	DWN	APVD
-	-	SEE SHEET 1	-	-	-



PCB LAYOUT (REFERENCE)

THIS DRAWING IS A CONTROLLED DOCUMENT.		DWN MURRAY LU 10NOV2011		
DIMENSIONS: mm		CHK SIMON LI 10NOV2011		
TOLERANCES UNLESS OTHERWISE SPECIFIED: 0-PLC ±0.1 1-PLC ±0.1 2-PLC ±0.1 3-PLC ±0.1 4-PLC ±0.1 ANGLES ±0.1		APVD COREL WANG 10NOV2011	NAME SOCKET ASSY LGA SOCKET 1944 (G34)	
MATERIAL -		FINISH -	PRODUCT SPEC -	APPLICATION SPEC -
WEIGHT -		SCALE NONE	SIZE A3	CAGE CODE 00779
CUSTOMER DRAWING		DRAWING NO C-2069189	RESTRICTED TO -	SHEET 3 OF 4
				REV B

4

3

2

1

THIS DRAWING IS UNPUBLISHED.

RELEASED FOR PUBLICATION

20

© COPYRIGHT 20 BY -

ALL RIGHTS RESERVED.

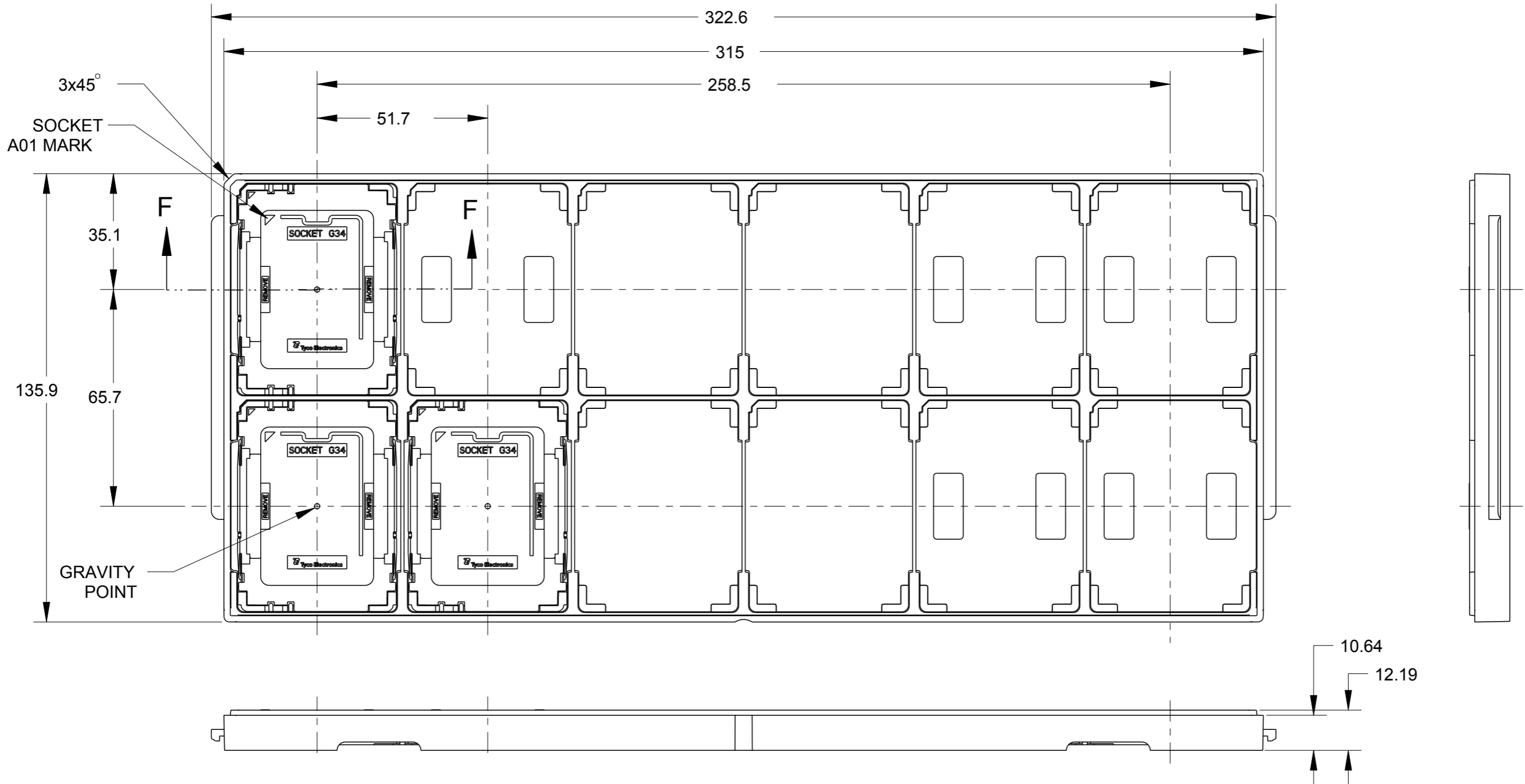
LOC
ES

DIST
-

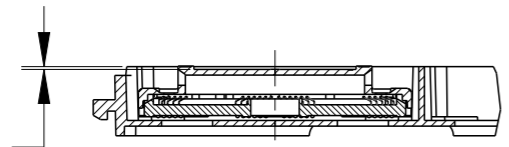
REVISIONS

P	LTR	DESCRIPTION	DATE	DWN	APVD
-	-	SEE SHEET 1	-	-	-


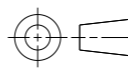
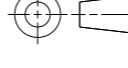

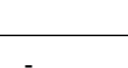
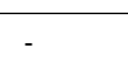
HARD TRAY LAYOUT



0.5REF



SECT F-F

THIS DRAWING IS A CONTROLLED DOCUMENT.		DWN MURRAY LU 10NOV2011	 TE Connectivity		
DIMENSIONS: mm		CHK SIMON LI 10NOV2011			
TOLERANCES UNLESS OTHERWISE SPECIFIED:		APVD COREL WANG 10NOV2011	NAME SOCKET ASSY LGA SOCKET 1944 (G34)		
 0 PLC ±-  1 PLC ±-  2 PLC ±-  3 PLC ±-  4 PLC ±- ANGLES ±- FINISH -		PRODUCT SPEC -	RESTRICTED TO -		
MATERIAL -		APPLICATION SPEC -	SIZE A3	CAGE CODE 00779	DRAWING NO C-2069189
		WEIGHT -	SCALE NONE		
		CUSTOMER DRAWING	SHEET 4 OF 4 REV B		