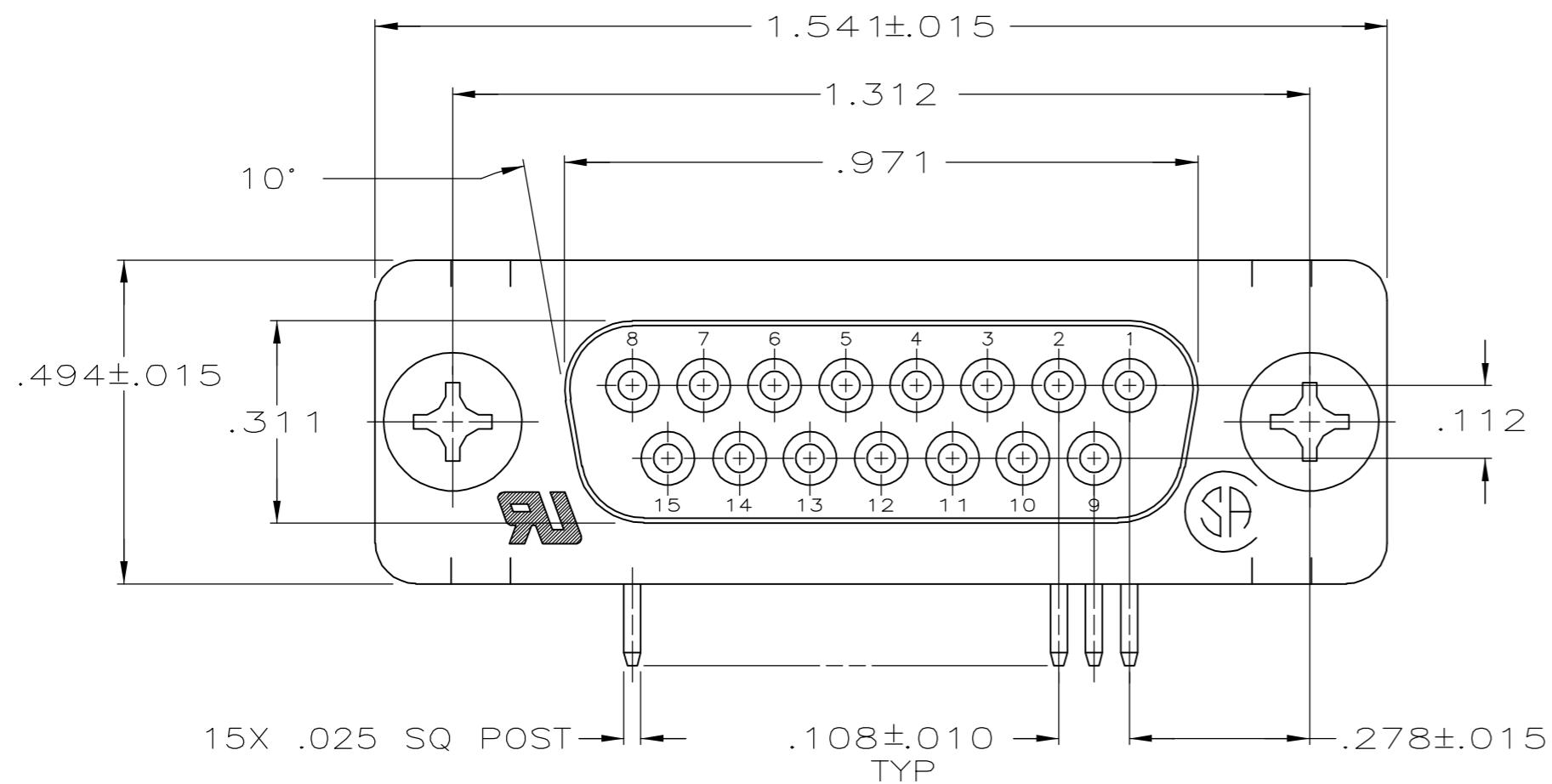
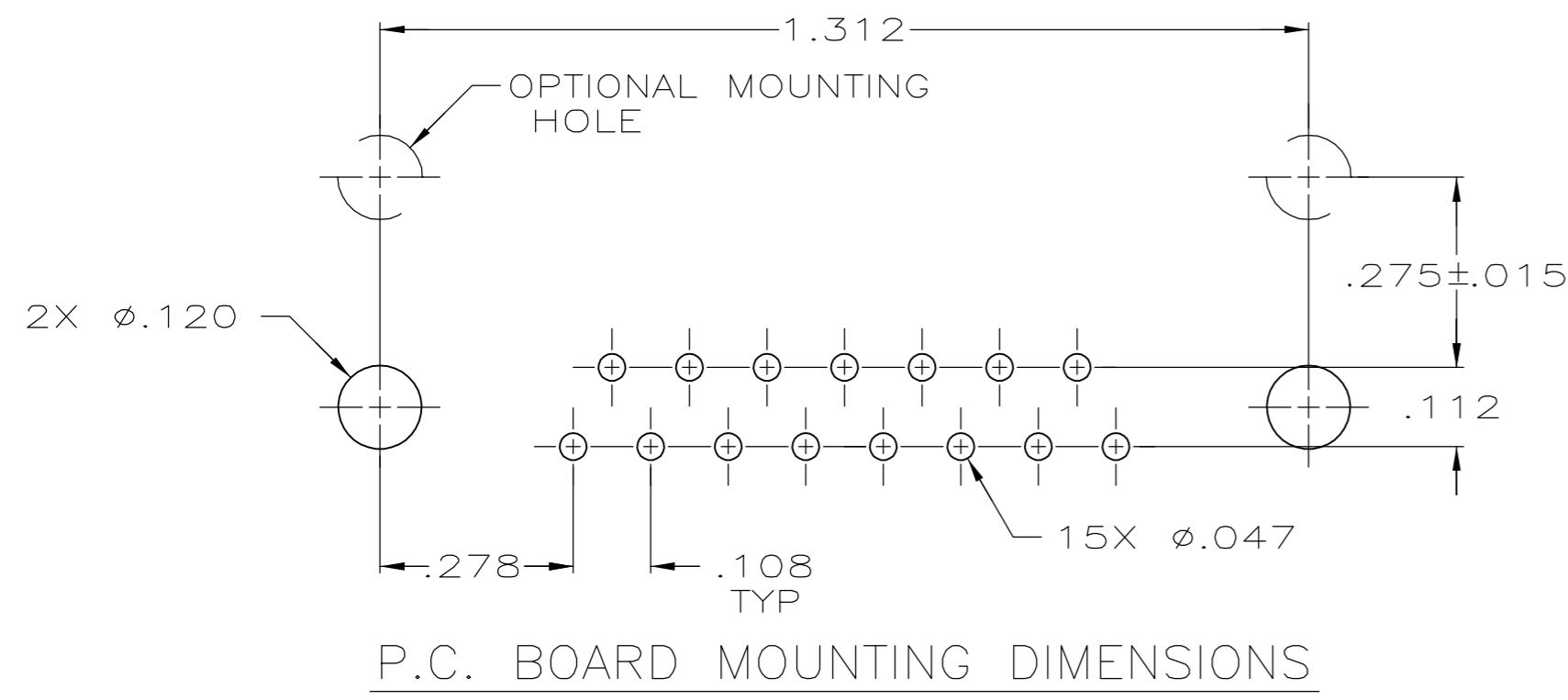
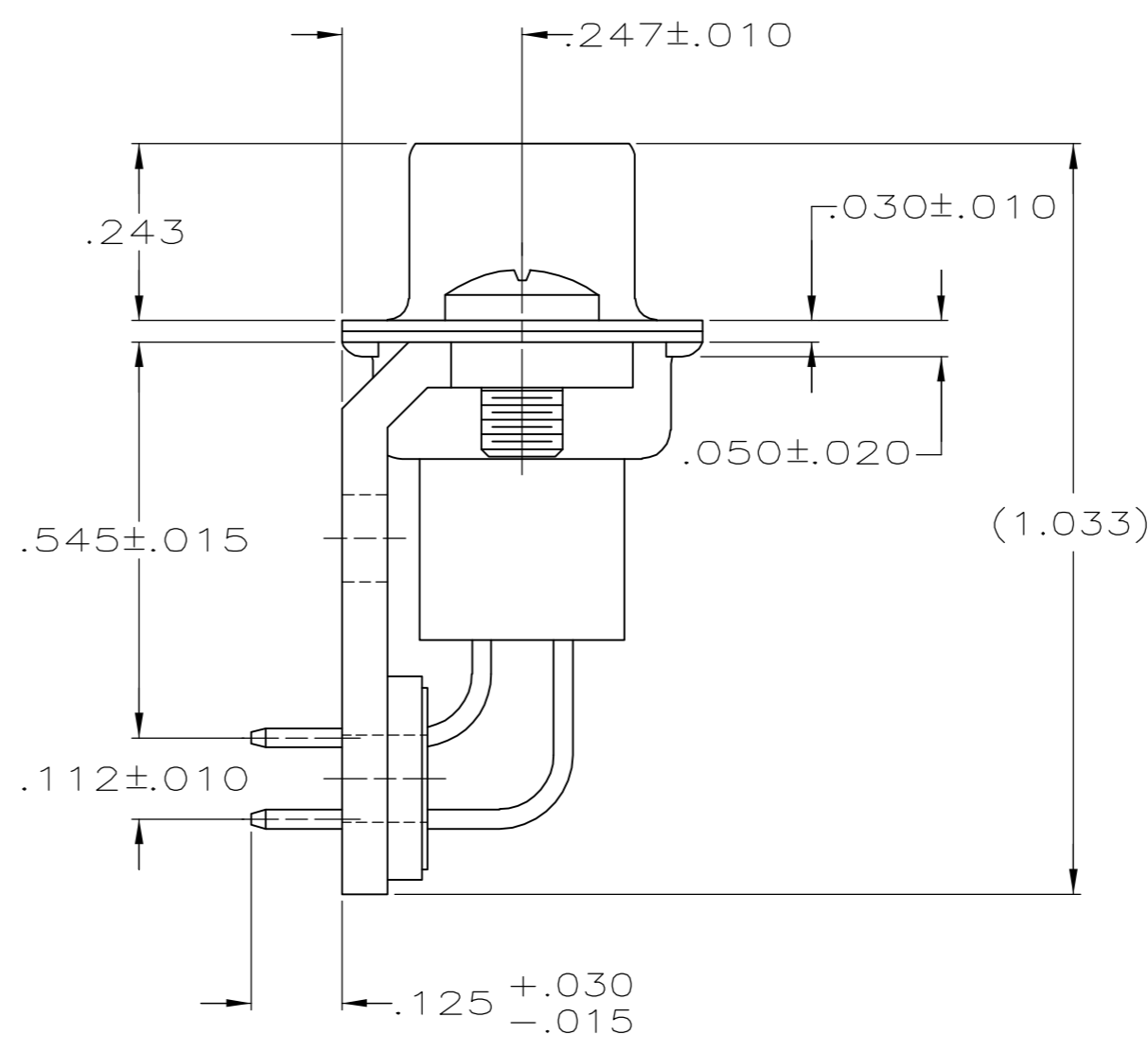
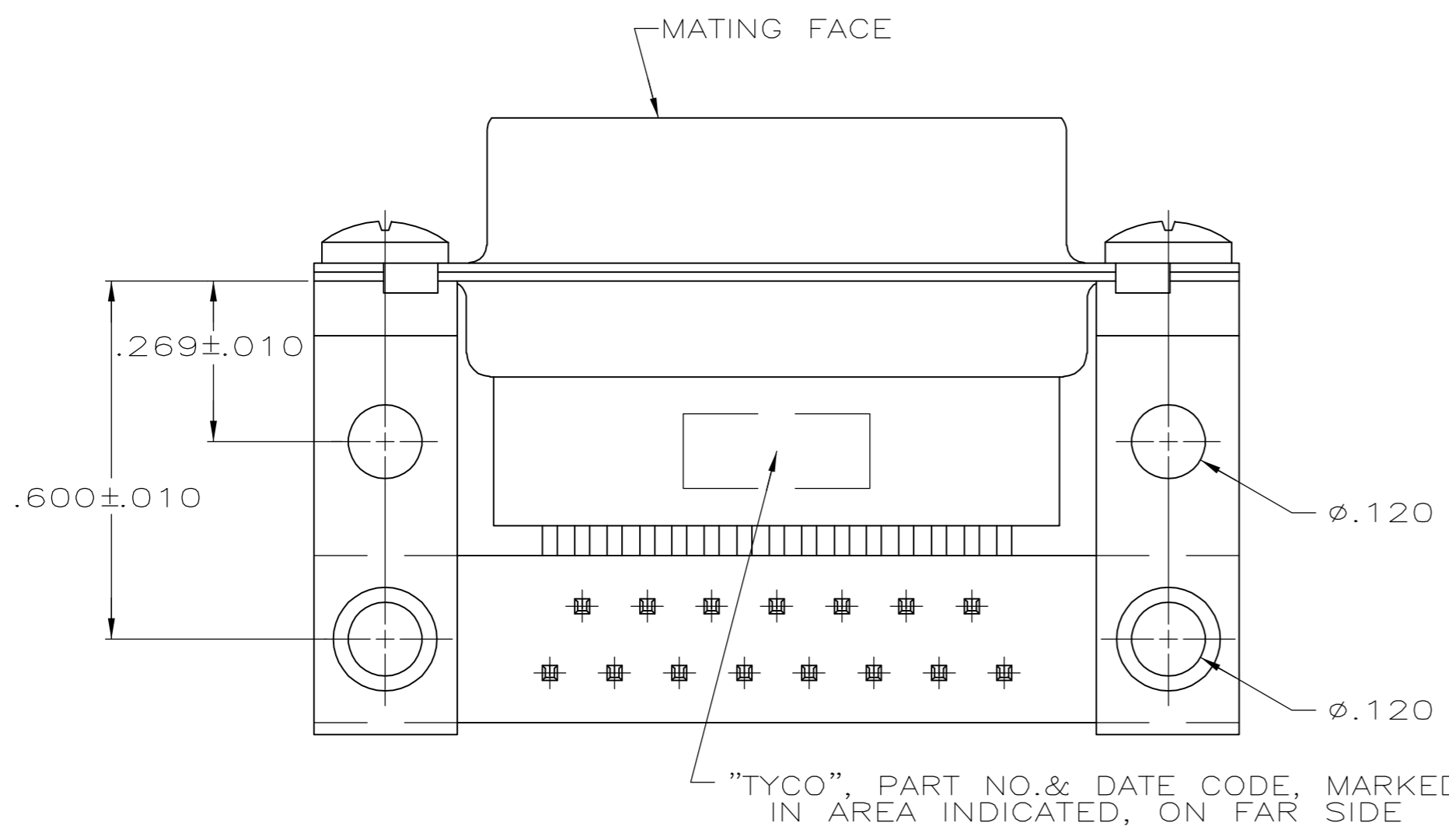


THIS DRAWING IS UNPUBLISHED. RELEASED FOR PUBLICATION
 © COPYRIGHT 2005 BY TYCO ELECTRONICS CORPORATION. ALL RIGHTS RESERVED.

LOC		DIST		REVISIONS			
P	LTR	DESCRIPTION		DATE	DWN	APVD	
GP	00	A	REVISED PER ECO-06-028339	18/DEC/06	ZMR	EDB	



- ⚠ MOLDDED PARTS: GLASS FILLED NYLON, UL94V-0 RATED, COLOR BLACK.
SHELLS & BRACKETS: CARBON STEEL.
CONTACTS: PHOSPHOR BRONZE.
- ⚠ SHELLS: .000200 MIN TIN OVER .000100 MIN COPPER.
BRACKETS: .000200 MIN TIN OVER .000050 MIN COPPER.
CONTACTS: .000030 MIN GOLD FOR A LENGTH OF .100 MIN FROM MATING END, .000100 MIN TIN ON OPPOSITE END, BOTH OVER .000050 MIN NICKEL
-OR-
GOLD FLASH OVER .000030 MIN PALLADIUM NICKEL PLATED FOR LENGTH OF .100 MIN FROM MATING END, .000100 MIN TIN ON OPPOSITE END, BOTH OVER .000050 MIN NICKEL.



5745113-2
 PART NUMBER

THIS DRAWING IS A CONTROLLED DOCUMENT.		DWN D. HENNY 8-21-05	Tyco Electronics Corporation Harrisburg, PA 17105-3608
DIMENSIONS: INCHES		CHK S. BOLASH 8-21-05	
TOLERANCES UNLESS OTHERWISE SPECIFIED:		APVD M. WALMSLEY 8-21-05	
0 PLC ± - 1 PLC ± - 2 PLC ± - 3 PLC ± .005 4 PLC ± - ANGLES ± 2° FINISH		NAME RECEPTACLE ASSY, SIZE 2, 15 POSITION, RIGHT ANGLE, .545 SERIES, AMPLIMITE HDP	
MATERIAL		PRODUCT SPEC 108-40025	SIZE A2
⚠ 1 ⚠ 2		APPLICATION SPEC 114-40013	CAGE CODE 00779
CUSTOMER DRAWING		WEIGHT -	DRAWING NO C=5745113
		SCALE 4:1	RESTRICTED TO -
		SHEET 1 of 1	REV A