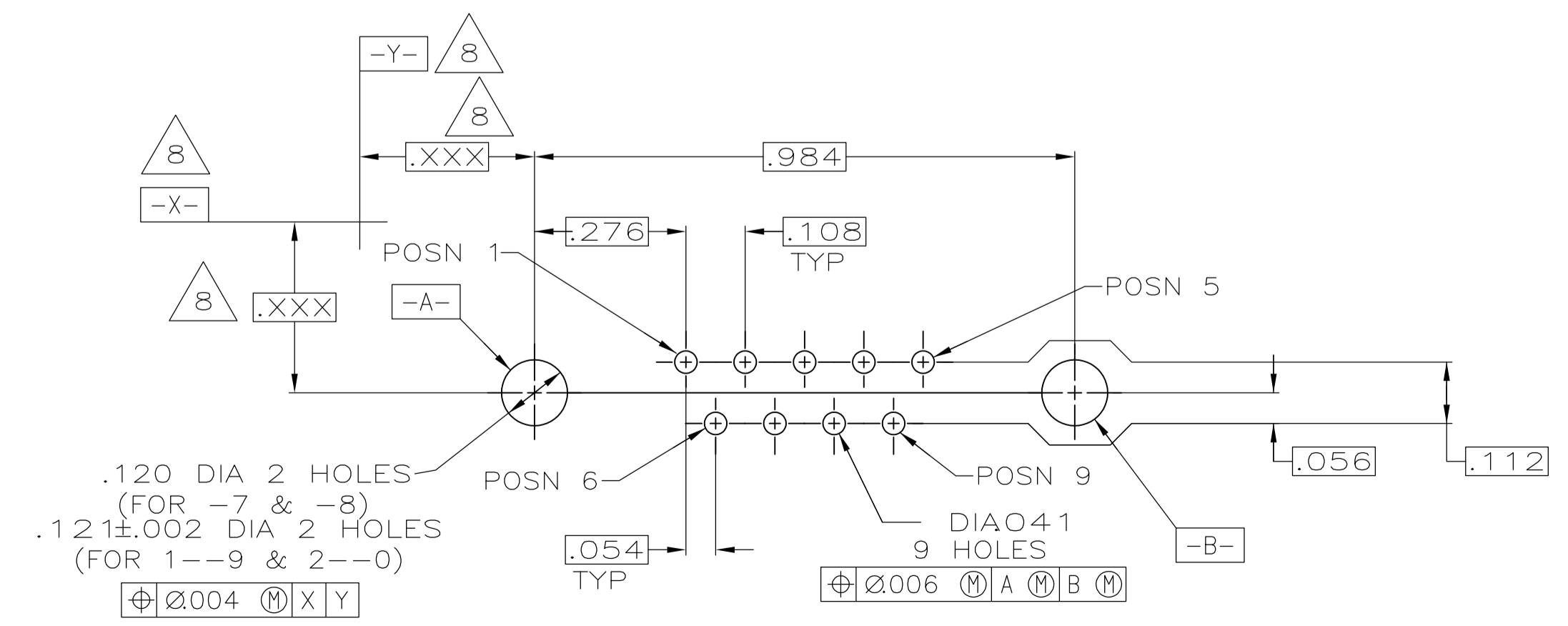


- △ HOUSING: FLAME RETARDANT 94V-0 RATED THERMOPLASTIC, BLACK  
SHELLS: CARBON STEEL  
CONTACTS: BRASS  
INSERTS AND RETENTION INSERTS: BRASS  
SCREWLOCKS: ZINC
- △ SHELLS: .000200 MIN TIN OVER .000100 MIN COPPER.  
INSERTS: UNPLATED.  
RETENTION INSERTS: .00150 MIN TIN-LEAD OVER .000100 MIN COPPER.  
SCREWLOCKS: UNPLATED.  
CONTACTS: SEE TABLE.
- △ GOLD FLASH FOR A LENGTH OF .150 MIN FROM MATING END, .000100-.000200 BRIGHT TIN OR BRIGHT TIN-LEAD ON SOLDER END, ALL OVER .000050 MIN NICKEL ON ENTIRE CONTACT.
- △ GOLD PLATED FOR A LENGTH OF .150 FROM MATING END, .000030 MIN GOLD IN MATED AREA, .000100-.000200 BRIGHT TIN OR BRIGHT TIN-LEAD ON SOLDER END, ALL OVER .000050 MIN NICKEL ON ENTIRE CONTACT.  
-OR-  
GOLD FLASH OVER PALLADIUM NICKEL PLATED FOR LENGTH OF .150 FROM MATING END, .000030 MIN PALLADIUM NICKEL IN MATED AREA, .000100-.000200 BRIGHT TIN OR BRIGHT TIN-LEAD ON SOLDER END, ALL OVER .000050 MIN NICKEL ON ENTIRE CONTACT.
- 5. NOTE DELETED.
- △ VERSION AVAILABLE UPON REQUEST.
- △ OBSOLETE PART NUMBER.
- △ DATUMS AND BASIC DIMENSIONS ESTABLISHED BY CUSTOMERS.
- △ RECOMMENDED SCREWLOCK IS 5747877-3 WITH RETENTION INSERTS.
- △ .110 MAX IN SHELL TAB CLINCH AREAS.



SUSPENDED BY 2-748003-0	WITH RETENTION INSERTS	△ .125	2-748003-0
		△ .125	1-748003-9
	WITH FEMALE SCREWLOCKS	△ .250	△
		△ .250	△
		△ .170	△
		△ .170	△
		△ .125	△
	WITH THREADED INSERTS	△ .250	△
		△ .170	△
		△ .170	△
		△ .125	748003-8
		△ .125	△ 748003-7
WITH .120 DIA. HOLE	△ .250	△	
	△ .250	△	
	△ .170	△	
	△ .170	△	
	△ .125	△	
REMARKS	CONTACT FINISH	DIM A	PART NUMBER

THIS DRAWING IS A CONTROLLED DOCUMENT.		DIN S. WELDON 2-27-85	Tyco Electronics Corporation Harrisburg, PA 17105-3608	
DIMENSIONS: INCHES		CIK: J. GRACE 2-27-85	NAME: R. BRANDT 2-27-85	
TOLERANCES UNLESS OTHERWISE SPECIFIED:		PRODUCT SPEC: 108-40025		
0 PLC ± -		APPLICATION SPEC: 114-40023		
1 PLC ± -		SIZE: A1		
2 PLC ± .005		CAGE CODE: 00779		
3 PLC ± -		DRAWING NO: 748003		
4 PLC ± -		RESTRICTED TO: -		
ANGLES ± °		CUSTOMER DRAWING		
MATERIAL: △		SCALE: NTS		
FINISH: △		SHEET 1 OF 1		
CONTACTS: SEE TABLE		REV: L		