

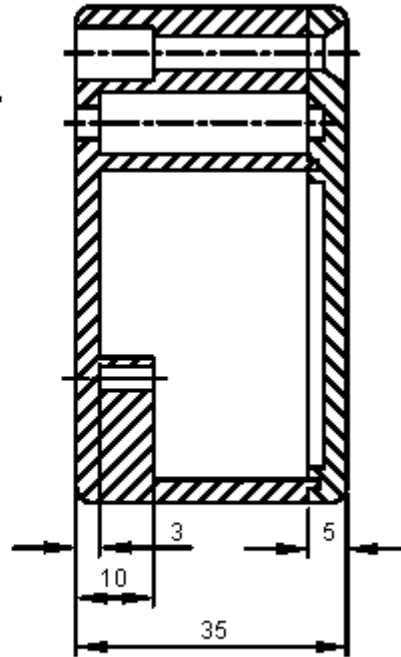
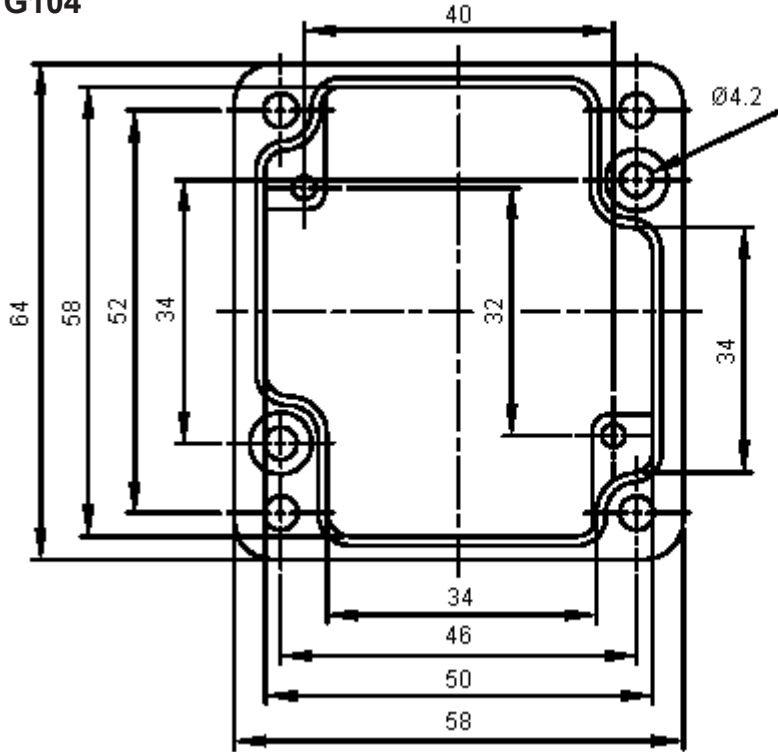
PART NO.

G100 Series

REVISIONS

ECN #	REV	DESCRIPTION	DRAWN	DATE	CHECKD	DATE	APPRVD	DATE
-	A	RELEASED	SID	25/4/12	AMU	25/4/12		09/5/12

G104



Features:

- Designed to meet IP65 and NEMA4 through the use of neoprene gasket with the universal tongue and groove seal system
- Ideal for industrial and automation engineering
- Wall mounting holes and lid fixing screws are outside the sealing area for real sealing protection
- Finish : Natural aluminium colour, coated light grey finish

Dimensions : Millimetres

Important Notice : This data sheet and its contents (the "Information") belong to the members of the Premier Farnell group of companies (the "Group") or are licensed to it. No licence is granted for the use of it other than for information purposes in connection with the products to which it relates. No licence of any intellectual property rights is granted. The Information is subject to change without notice and replaces all data sheets previously supplied. The Information supplied is believed to be accurate but the Group assumes no responsibility for its accuracy or completeness, any error in or omission from it or for any use made of it. Users of this data sheet should check for themselves the information and the suitability of the products for their purpose and not make any assumptions based on information included or omitted. Liability for loss or damage resulting from any reliance on the Information or use of it (including liability resulting from negligence or where the Group was aware of the possibility of such loss or damage arising) is excluded. This will not operate to limit or restrict the Group's liability for death or personal injury resulting from its negligence. Multicomp is the registered trademark of the Group. © Premier Farnell plc 2012.

TOLERANCES:

UNLESS OTHERWISE SPECIFIED, DIMENSIONS ARE FOR REFERENCE PURPOSES ONLY.

DRAWN BY:	DATE:
SID	25/04/12
CHECKED BY:	DATE:
AMU	25/04/12
APPROVED BY:	DATE:
	09/05/12

DRAWING TITLE:

G100 Series - Diecast Aluminium Enclosures

SIZE	DWG NO.	ELECTRONIC FILE	REV
A	M10000248	230599_DWG	A
SCALE: NTS	U.O.M.: mm	SHEET: 1 OF 4	

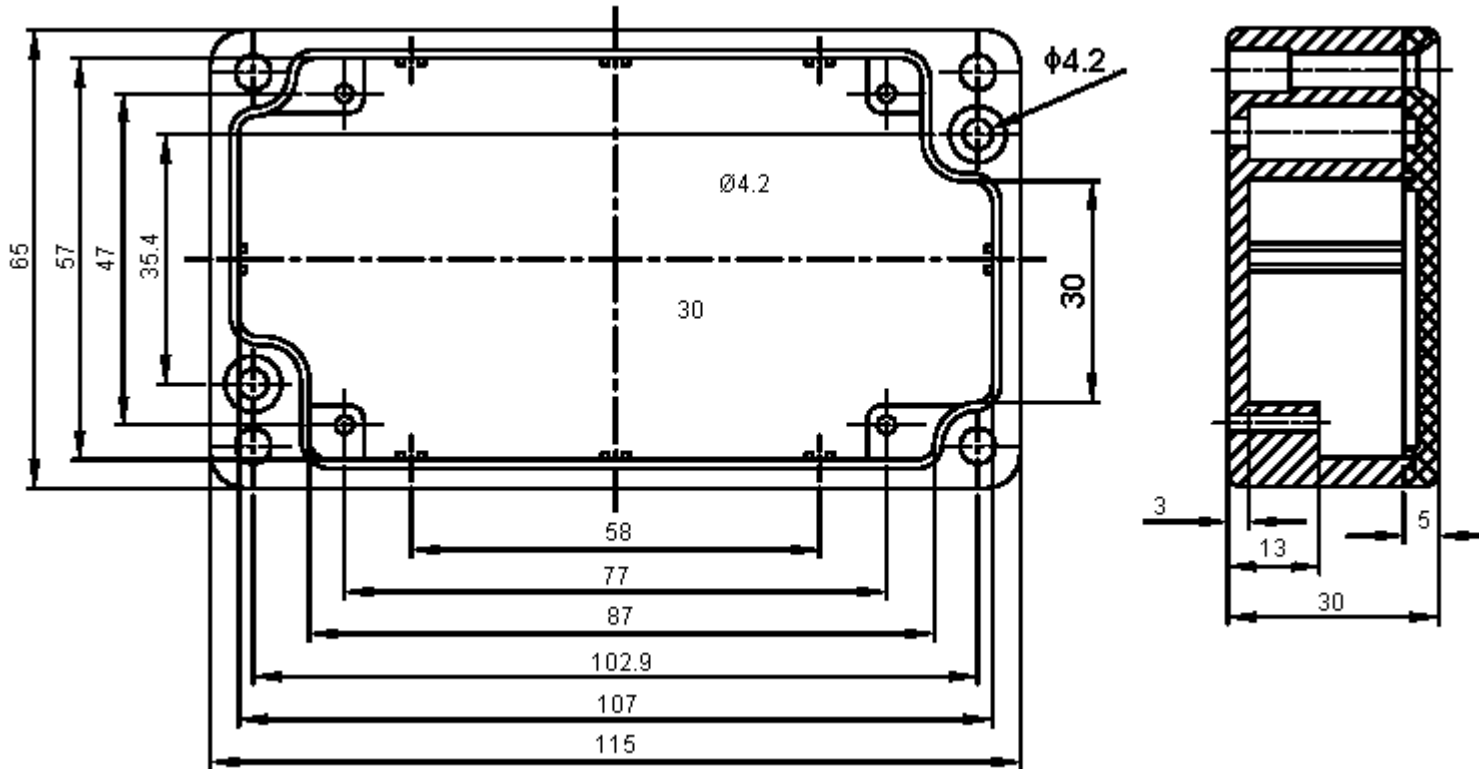
PART NO.

G100 Series

REVISIONS

ECN #	REV	DESCRIPTION	DRAWN	DATE	CHECKD	DATE	APPRVD	DATE
-	A	RELEASED	SID	25/4/12	AMU	25/4/12		09/5/12

G106



Dimensions : Millimetres

Important Notice : This data sheet and its contents (the "Information") belong to the members of the Premier Farnell group of companies (the "Group") or are licensed to it. No licence is granted for the use of it other than for information purposes in connection with the products to which it relates. No licence of any intellectual property rights is granted. The Information is subject to change without notice and replaces all data sheets previously supplied. The Information supplied is believed to be accurate but the Group assumes no responsibility for its accuracy or completeness, any error in or omission from it or for any use made of it. Users of this data sheet should check for themselves the information and the suitability of the products for their purpose and not make any assumptions based on information included or omitted. Liability for loss or damage resulting from any reliance on the Information or use of it (including liability resulting from negligence or where the Group was aware of the possibility of such loss or damage arising) is excluded. This will not operate to limit or restrict the Group's liability for death or personal injury resulting from its negligence. Multicomp is the registered trademark of the Group. © Premier Farnell plc 2012.

TOLERANCES:

UNLESS OTHERWISE SPECIFIED, DIMENSIONS ARE FOR REFERENCE PURPOSES ONLY.

DRAWN BY:	DATE:
SID	25/04/12
CHECKED BY:	DATE:
AMU	25/04/12
APPROVED BY:	DATE:
	09/05/12

DRAWING TITLE:

G100 Series - Diecast Aluminium Enclosures

SIZE	DWG NO.	ELECTRONIC FILE	REV
A	M10000248	230599_DWG	A
SCALE: NTS		U.O.M.: mm	SHEET: 2 OF 4

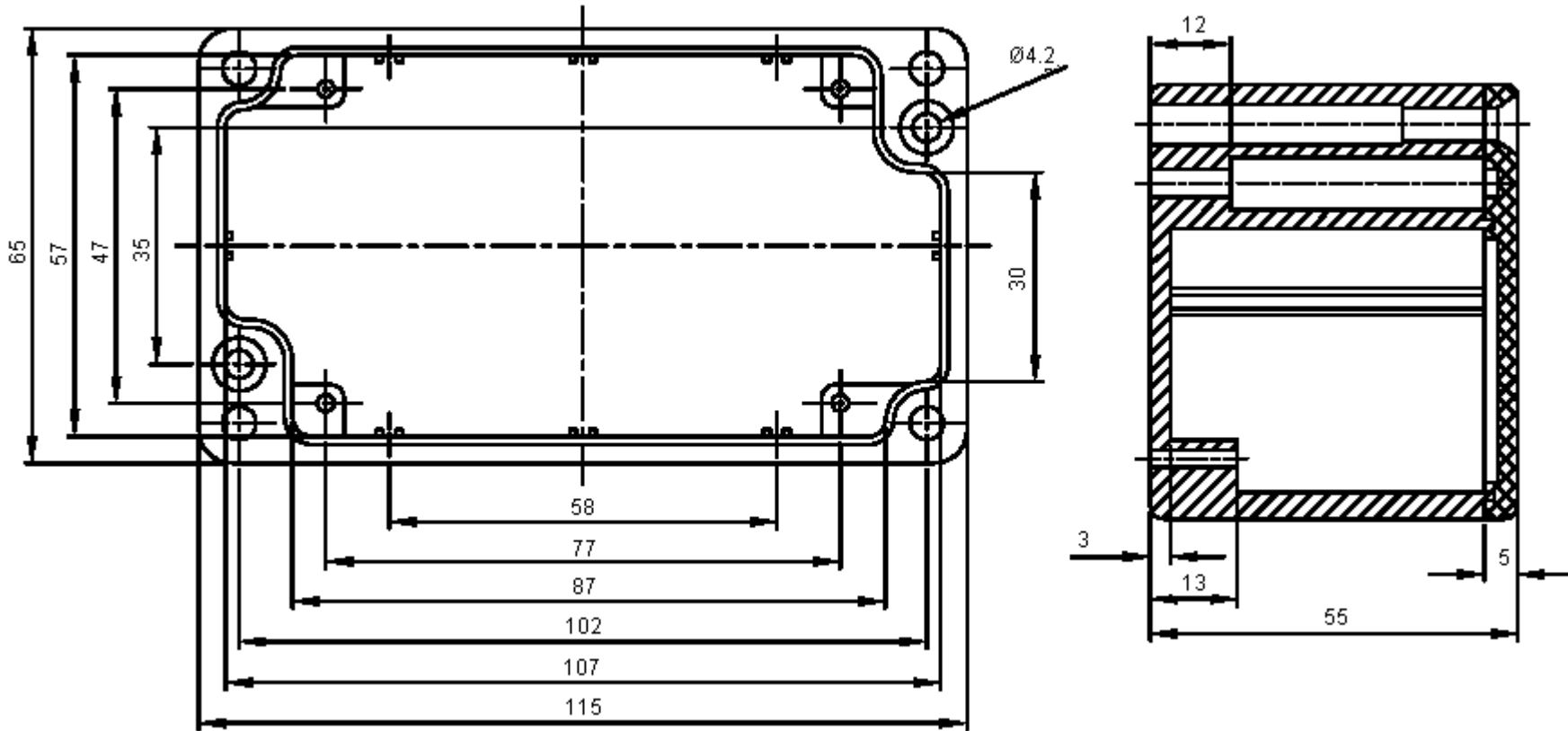
PART NO.

G100 Series

REVISIONS

ECN #	REV	DESCRIPTION	DRAWN	DATE	CHECKD	DATE	APPRVD	DATE
-	A	RELEASED	SID	25/4/12	AMU	25/4/12		09/5/12

G111



Dimensions : Millimetres

Important Notice : This data sheet and its contents (the "Information") belong to the members of the Premier Farnell group of companies (the "Group") or are licensed to it. No licence is granted for the use of it other than for information purposes in connection with the products to which it relates. No licence of any intellectual property rights is granted. The Information is subject to change without notice and replaces all data sheets previously supplied. The Information supplied is believed to be accurate but the Group assumes no responsibility for its accuracy or completeness, any error in or omission from it or for any use made of it. Users of this data sheet should check for themselves the information and the suitability of the products for their purpose and not make any assumptions based on information included or omitted. Liability for loss or damage resulting from any reliance on the Information or use of it (including liability resulting from negligence or where the Group was aware of the possibility of such loss or damage arising) is excluded. This will not operate to limit or restrict the Group's liability for death or personal injury resulting from its negligence. Multicomp is the registered trademark of the Group. © Premier Farnell plc 2012.

TOLERANCES:

UNLESS OTHERWISE SPECIFIED, DIMENSIONS ARE FOR REFERENCE PURPOSES ONLY.

DRAWN BY:	DATE:
SID	25/04/12
CHECKED BY:	DATE:
AMU	25/04/12
APPROVED BY:	DATE:
	09/05/12

DRAWING TITLE:

G100 Series - Diecast Aluminium Enclosures

SIZE	DWG NO.	ELECTRONIC FILE	REV
A	M10000248	230599_DWG	A
SCALE: NTS		U.O.M.: mm	SHEET: 3 OF 4

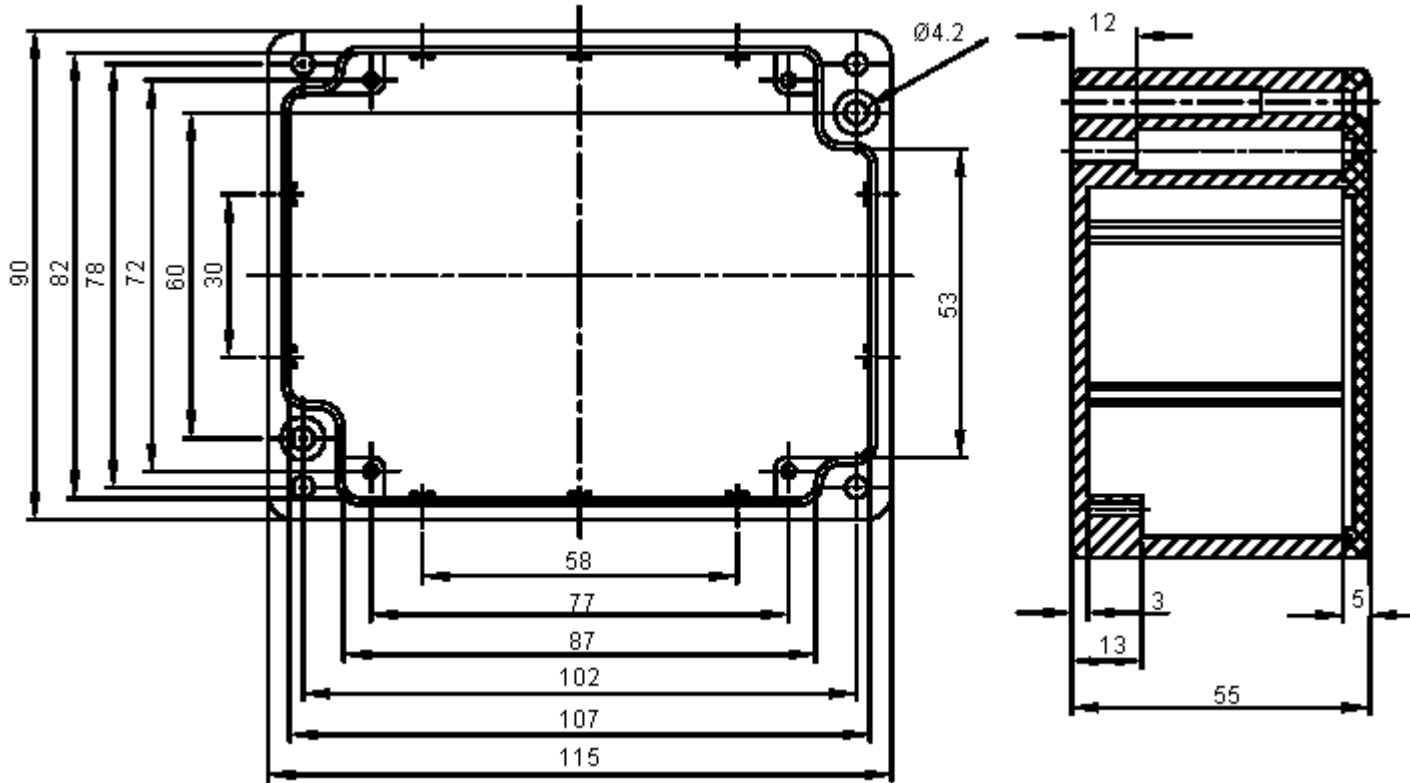
PART NO.

G100 Series

REVISIONS

ECN #	REV	DESCRIPTION	DRAWN	DATE	CHECKD	DATE	APPRVD	DATE
-	A	RELEASED	SID	25/4/12	AMU	25/4/12		09/5/12

G113



Dimensions : Millimetres

Specification Table

Material	Part Number
Aluminium Alloy ADC-12 to Japan (JIS)	G104
	G106
	G111
	G113

www.element14.com
www.farnell.com
www.newark.com

Important Notice : This data sheet and its contents (the "Information") belong to the members of the Premier Farnell group of companies (the "Group") or are licensed to it. No licence is granted for the use of it other than for information purposes in connection with the products to which it relates. No licence of any intellectual property rights is granted. The Information is subject to change without notice and replaces all data sheets previously supplied. The Information supplied is believed to be accurate but the Group assumes no responsibility for its accuracy or completeness, any error in or omission from it or for any use made of it. Users of this data sheet should check for themselves the information and the suitability of the products for their purpose and not make any assumptions based on information included or omitted. Liability for loss or damage resulting from any reliance on the Information or use of it (including liability resulting from negligence or where the Group was aware of the possibility of such loss or damage arising) is excluded. This will not operate to limit or restrict the Group's liability for death or personal injury resulting from its negligence. Multicomp is the registered trademark of the Group. © Premier Farnell plc 2012.

TOLERANCES:
UNLESS OTHERWISE SPECIFIED, DIMENSIONS ARE FOR REFERENCE PURPOSES ONLY.

DRAWN BY:	DATE:
SID	25/04/12
CHECKED BY:	DATE:
AMU	25/04/12
APPROVED BY:	DATE:
	09/05/12

DRAWING TITLE:			
G100 Series - Diecast Aluminium Enclosures			
SIZE	DWG NO.	ELECTRONIC FILE	REV
A	M10000248	230599_DWG	A
SCALE: NTS		U.O.M.: mm	SHEET: 4 OF 4