



PART NO.

MC335 - Series

REVISIONS

ECN #	REV	DESCRIPTION	DRAWN	DATE	CHECKD	DATE	APPRVD	DATE
-	A	RELEASED	SAN	12/6/12	ASH	13/6/12		27/6/12

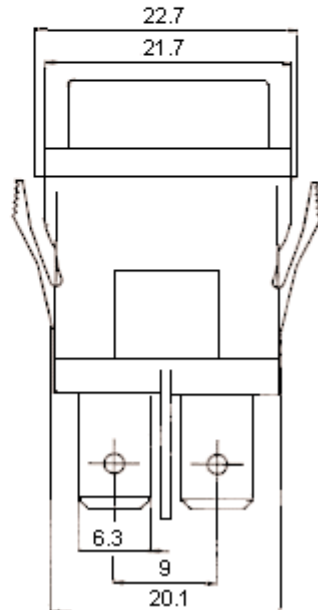
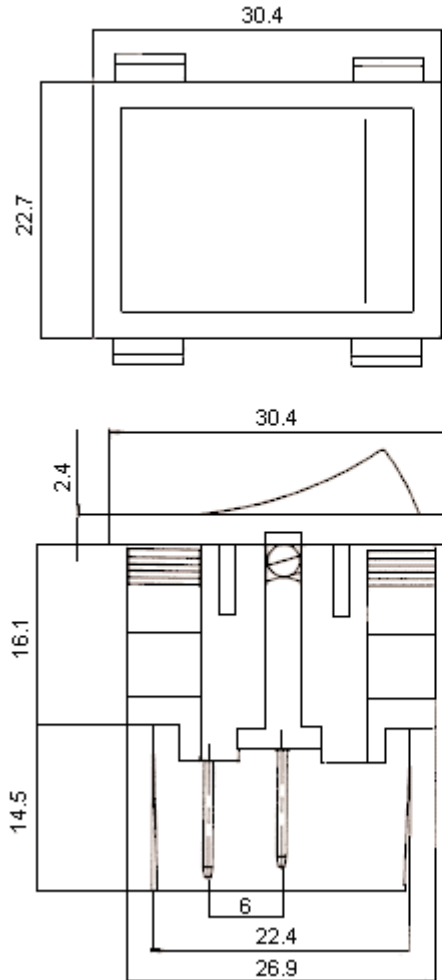
50 Series Double pole
MC33523-001-91

Feature:

- Standard double pole double throw rocker switch

Specifications:

Recommended Panel Cut-Out	: Thickness (mm)	Cut-out size (mm)
	1 (minimum)	27.2 × 22.1
	3 (maximum)	27.2 × 22.3
Contact Resistance	: 20 mΩ	
Insulation Resistance	: >50 MΩ	
Dielectric Strength	: Up to 3.5 kV ac	
Mechanical Endurance	: >1,00,000 cycles	
Terminal	: 6.35 mm quick connect solder tail	
Operating Temperature	: 0°C to +85°C	
Rating	: CSA	: 15 A, 125 V ac 8 A, 250 V ac 0.5 HP, 125 V ac
Circuit	: DPST	



Dimensions : Millimetres

www.element14.com
www.farnell.com
www.newark.com

Important Notice : This data sheet and its contents (the "Information") belong to the members of the Premier Farnell group of companies (the "Group") or are licensed to it. No licence is granted for the use of it other than for information purposes in connection with the products to which it relates. No licence of any intellectual property rights is granted. The Information is subject to change without notice and replaces all data sheets previously supplied. The Information supplied is believed to be accurate but the Group assumes no responsibility for its accuracy or completeness, any error in or omission from it or for any use made of it. Users of this data sheet should check for themselves the information and the suitability of the products for their purpose and not make any assumptions based on information included or omitted. Liability for loss or damage resulting from any reliance on the Information or use of it (including liability resulting from negligence or where the Group was aware of the possibility of such loss or damage arising) is excluded. This will not operate to limit or restrict the Group's liability for death or personal injury resulting from its negligence. Multicomp is the registered trademark of the Group. © Premier Farnell plc 2012.

TOLERANCES: UNLESS OTHERWISE SPECIFIED, DIMENSIONS ARE FOR REFERENCE PURPOSES ONLY.	DRAWN BY:	DATE:	DRAWING TITLE:			
	SAN	12/06/12	Rocker Switches			
	CHECKED BY:	DATE:				
	ASH	13/06/12	SIZE	DWG NO.	ELECTRONIC FILE	REV
	APPROVED BY:	DATE:	A	M10000232	22572_DWG	A
	27/06/12	SCALE: NTS		U.O.M.: mm	SHEET: 1 OF 1	



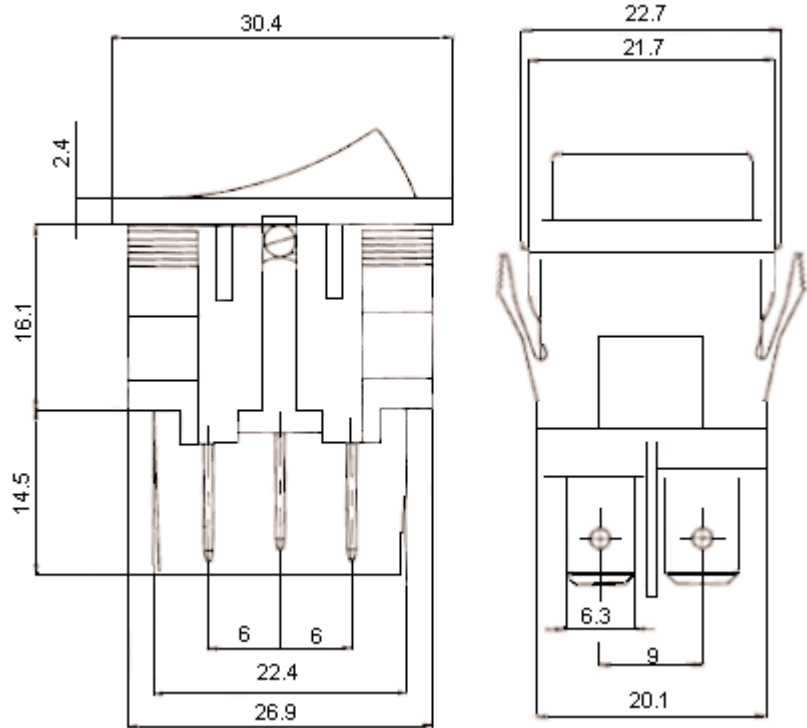
PART NO.

MC335 - Series

REVISIONS

ECN #	REV	DESCRIPTION	DRAWN	DATE	CHECKD	DATE	APPRVD	DATE
-	A	RELEASED	SAN	12/6/12	ASH	13/6/12		27/6/12

MC33523-011-91



Dimensions : Millimetres

Specifications:

- Recommended Panel Cut-Out : Thickness (mm) Cut-out size (mm)
 1 (minimum) 27.2 × 22.1
 3 (maximum) 27.2 × 22.3
- Contact Resistance : 20 mΩ
- Insulation Resistance : >50 MΩ
- Dielectric Strength : Up to 3.5 kV ac
- Mechanical Endurance : >1,00,000 cycles
- Terminal : 6.35 mm quick connect solder tail
- Operating Temperature : 0°C to +85°C
- Rating : CSA : 15 A, 125 V ac
 8 A, 250 V ac
 0.5 HP, 125 V ac
- Circuit : DPDT

Important Notice : This data sheet and its contents (the "Information") belong to the members of the Premier Farnell group of companies (the "Group") or are licensed to it. No licence is granted for the use of it other than for information purposes in connection with the products to which it relates. No licence of any intellectual property rights is granted. The Information is subject to change without notice and replaces all data sheets previously supplied. The Information supplied is believed to be accurate but the Group assumes no responsibility for its accuracy or completeness, any error in or omission from it or for any use made of it. Users of this data sheet should check for themselves the Information and the suitability of the products for their purpose and not make any assumptions based on information included or omitted. Liability for loss or damage resulting from any reliance on the Information or use of it (including liability resulting from negligence or where the Group was aware of the possibility of such loss or damage arising) is excluded. This will not operate to limit or restrict the Group's liability for death or personal injury resulting from its negligence. Multicomp is the registered trademark of the Group. © Premier Farnell plc 2012.

TOLERANCES: UNLESS OTHERWISE SPECIFIED, DIMENSIONS ARE FOR REFERENCE PURPOSES ONLY.	DRAWN BY:	DATE:	DRAWING TITLE: Rocker Switches			
	SAN	12/06/12				
	CHECKED BY:	DATE:	SIZE A	DWG NO. M10000232	ELECTRONIC FILE 22572_DWG	REV A
	ASH	13/06/12				
	APPROVED BY:	DATE:	SCALE: NTS		U.O.M.: mm	
	27/06/12					



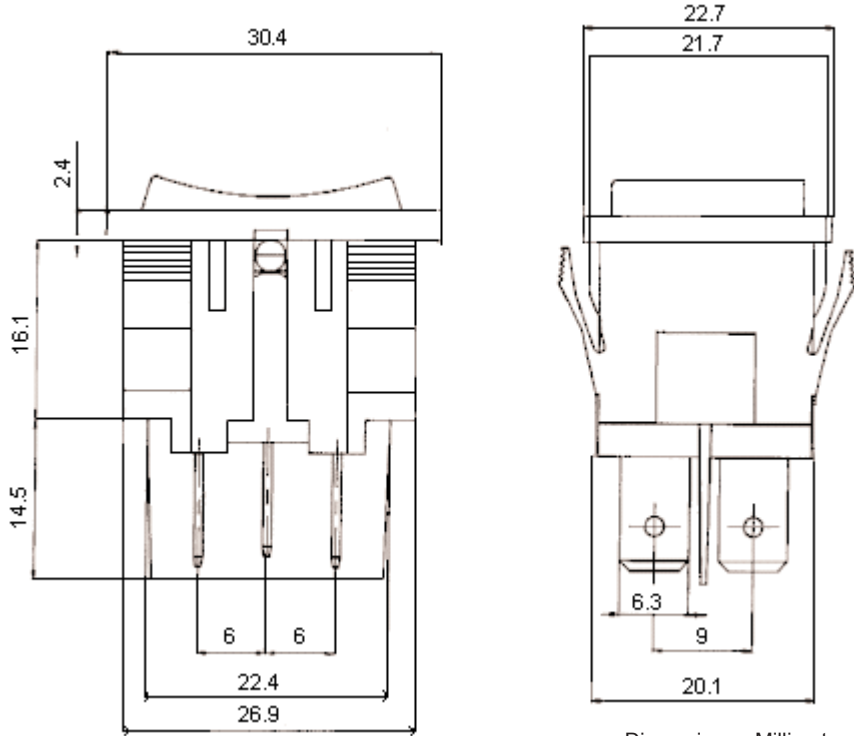
PART NO.

MC335 - Series

REVISIONS

ECN #	REV	DESCRIPTION	DRAWN	DATE	CHECKD	DATE	APPRVD	DATE
-	A	RELEASED	SAN	12/6/12	ASH	13/6/12		27/6/12

MC3350-041-91



Specifications:

Recommended Panel Cut-Out	: Thickness (mm)	Cut-out size (mm)
	1 (minimum)	27.2 × 22.1
	3 (maximum)	27.2 × 22.3
Contact Resistance	: 20 mΩ	
Insulation Resistance	: >50 MΩ	
Dielectric Strength	: Up to 3.5 kV ac	
Mechanical Endurance	: >1,00,000 cycles	
Terminal	: 6.35 mm quick connect solder tail	
Operating Temperature	: 0°C to +85°C	
Rating	: CSA : 12 A, 125 V ac	
	: 6 A, 250 V dc	
Circuit	: ON-OFF-ON	

Specification Table

Type	Bezel	Depth	Tabs	Part Number
DPST	21 × 15	22.7	6.3	MC33523-001-91
DPDT				MC33523-011-91
DPDT Centre off				MC3350-041-91

Dimensions : Millimetres

Important Notice : This data sheet and its contents (the "Information") belong to the members of the Premier Farnell group of companies (the "Group") or are licensed to it. No licence is granted for the use of it other than for information purposes in connection with the products to which it relates. No licence of any intellectual property rights is granted. The Information is subject to change without notice and replaces all data sheets previously supplied. The Information supplied is believed to be accurate but the Group assumes no responsibility for its accuracy or completeness, any error in or omission from it or for any use made of it. Users of this data sheet should check for themselves the Information and the suitability of the products for their purpose and not make any assumptions based on information included or omitted. Liability for loss or damage resulting from any reliance on the Information or use of it (including liability resulting from negligence or where the Group was aware of the possibility of such loss or damage arising) is excluded. This will not operate to limit or restrict the Group's liability for death or personal injury resulting from its negligence. Multicomp is the registered trademark of the Group. © Premier Farnell plc 2012.

TOLERANCES: UNLESS OTHERWISE SPECIFIED, DIMENSIONS ARE FOR REFERENCE PURPOSES ONLY.	DRAWN BY:	DATE:	DRAWING TITLE:			
	SAN	12/06/12				Rocker Switches
	CHECKED BY:	DATE:	SIZE	DWG NO.	ELECTRONIC FILE	
	ASH	13/06/12	A	M10000232	22572_DWG	A
	APPROVED BY:	DATE:	SCALE: NTS		U.O.M.: mm	SHEET: 3 OF 3
	27/06/12					