



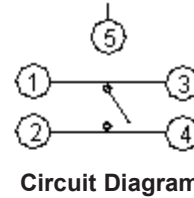
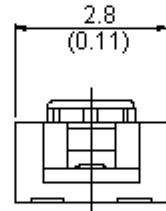
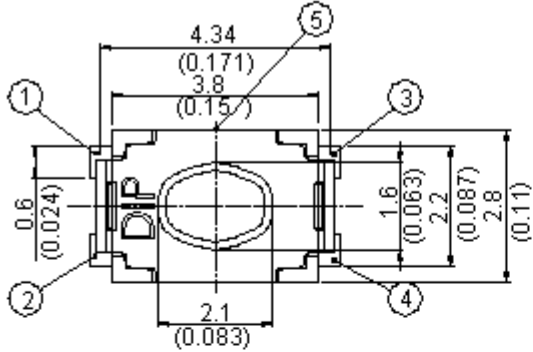
PART NO.

MCIPTG - Series

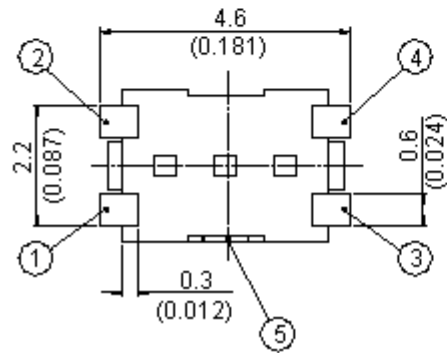
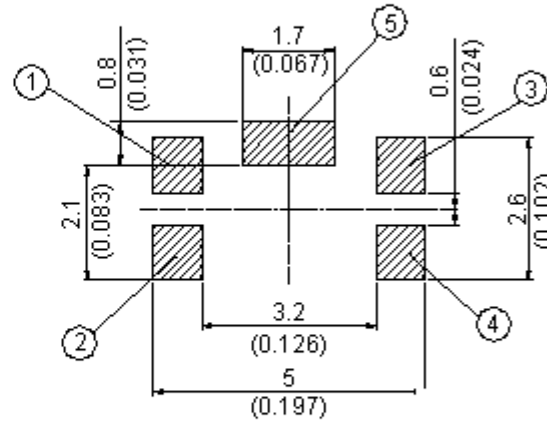
REVISIONS

ECN #	REV	DESCRIPTION	DRAWN	DATE	CHECKD	DATE	APPRVD	DATE
-	A	RELEASED	SAN	13/6/12	SID	13/6/12		27/6/12

MCIPTG



PCB Layout



Dimensions : Millimetres (Inches)

Important Notice : This data sheet and its contents (the "Information") belong to the members of the Premier Farnell group of companies (the "Group") or are licensed to it. No licence is granted for the use of it other than for information purposes in connection with the products to which it relates. No licence of any intellectual property rights is granted. The Information is subject to change without notice and replaces all data sheets previously supplied. The Information supplied is believed to be accurate but the Group assumes no responsibility for its accuracy or completeness, any error in or omission from it or for any use made of it. Users of this data sheet should check for themselves the information and the suitability of the products for their purpose and not make any assumptions based on information included or omitted. Liability for loss or damage resulting from any reliance on the Information or use of it (including liability resulting from negligence or where the Group was aware of the possibility of such loss or damage arising) is excluded. This will not operate to limit or restrict the Group's liability for death or personal injury resulting from its negligence. Multicomp is the registered trademark of the Group. © Premier Farnell plc 2012.

TOLERANCES:

UNLESS OTHERWISE SPECIFIED, DIMENSIONS ARE FOR REFERENCE PURPOSES ONLY.

DRAWN BY:	DATE:
SAN	13/06/12
CHECKED BY:	DATE:
SID	13/06/12
APPROVED BY:	DATE:
	27/06/12

DRAWING TITLE:

Detector Switch - Cards

SIZE	DWG NO.	ELECTRONIC FILE	REV
A	M10001231	IPTG Switch_DWG	A
SCALE: NTS	U.O.M.: mm	SHEET: 1 OF 3	



PART NO.

MCIPTG - Series

REVISIONS

ECN #	REV	DESCRIPTION	DRAWN	DATE	CHECKD	DATE	APPRVD	DATE
-	A	RELEASED	SAN	13/6/12	SID	13/6/12		27/6/12

Specifications:

Mechanical

Operating Force : 160 ±50 gf vertical push
 220 +80 / -70 gf side push
 Stroke : 0.25 +0.2 / -0.1 mm
 Operating Temperature : -30°C to 80°C
 Storage Temperature : -40°C to 80°C

Electrical

Electrical Life : 100,000 cycles
 Rating : 50 mA, 12 V dc
 Maximum Contact Resistance : 100 mΩ
 Minimum Insulation Resistance : 100 MΩ at 100 V dc
 Dielectric Strength : 100 V ac / 1 minute

Material

Cover : Stainless steel with silver plating
 Spacing Cover : Stainless steel
 Stem : LCP High-temperature thermoplastic
 Colour : Black
 Tape : Teflon
 Contact : Stainless steel with silver plating
 Base : LCP High-temperature thermoplastic
 Colour : Black
 Terminal : Brass, with silver plating
 Brass, gold plated

Soldering Process

Hand Soldering : Use a soldering iron of 30 W, controlled at 350°C approximately maximum 5 seconds while applying
 Reflow Soldering : When applying reflow soldering, the peak temperature or the reflow oven should be set to 260°C maximum

Important Notice : This data sheet and its contents (the "Information") belong to the members of the Premier Farnell group of companies (the "Group") or are licensed to it. No licence is granted for the use of it other than for information purposes in connection with the products to which it relates. No licence of any intellectual property rights is granted. The Information is subject to change without notice and replaces all data sheets previously supplied. The Information supplied is believed to be accurate but the Group assumes no responsibility for its accuracy or completeness, any error in or omission from it or for any use made of it. Users of this data sheet should check for themselves the information and the suitability of the products for their purpose and not make any assumptions based on information included or omitted. Liability for loss or damage resulting from any reliance on the Information or use of it (including liability resulting from negligence or where the Group was aware of the possibility of such loss or damage arising) is excluded. This will not operate to limit or restrict the Group's liability for death or personal injury resulting from its negligence. Multicomp is the registered trademark of the Group. © Premier Farnell plc 2012.

TOLERANCES:

UNLESS OTHERWISE SPECIFIED, DIMENSIONS ARE FOR REFERENCE PURPOSES ONLY.

DRAWN BY:	DATE:
SAN	13/06/12
CHECKED BY:	DATE:
SID	13/06/12
APPROVED BY:	DATE:
	27/06/12

DRAWING TITLE:			
Detector Switch - Cards			
SIZE	DWG NO.	ELECTRONIC FILE	REV
A	M10001231	IPTG Switch_DWG	A
SCALE: NTS		U.O.M.: mm	SHEET: 2 OF 3



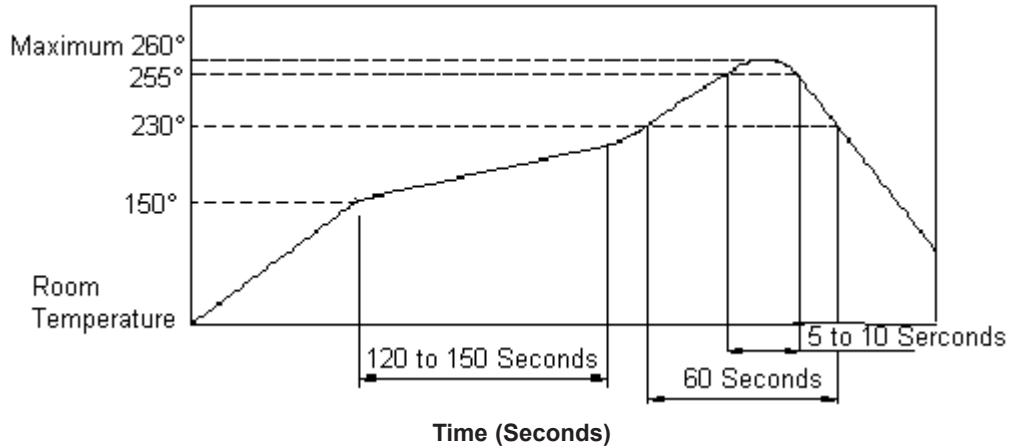
PART NO.

MCIPTG - Series

REVISIONS

ECN #	REV	DESCRIPTION	DRAWN	DATE	CHECKD	DATE	APPRVD	DATE
-	A	RELEASED	SAN	13/6/12	SID	13/6/12		27/6/12

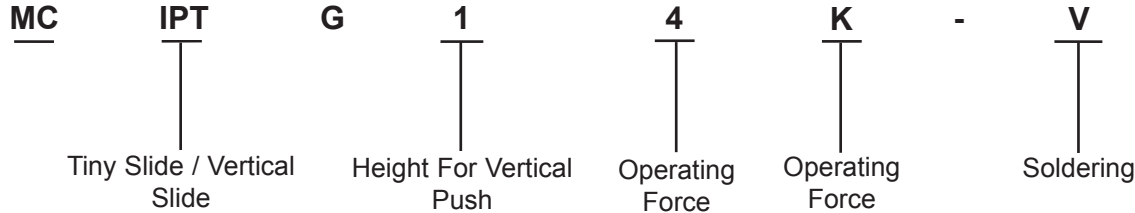
Reflow Temperature Profile



Part Number Table

Description	Part Number
Switch, 2.8 × 3.8 mm Vertical Push	MCIPTG23K-V
Switch, 2.8 × 3.8 mm Vertical Push	MCIPTG33K-V

Part Number Explanation:



Height for Vertical Push : 1 = Side Push, 2 = Vertical Push H : 1.9 mm and 3 = Vertical Push H : 2.5 mm (to be available)
Operating Force : 3 = 160gf (only for vertical push) and 4 = 200 gf (only for side push)

www.element14.com
www.farnell.com
www.newark.com

Important Notice : This data sheet and its contents (the "Information") belong to the members of the Premier Farnell group of companies (the "Group") or are licensed to it. No licence is granted for the use of it other than for information purposes in connection with the products to which it relates. No licence of any intellectual property rights is granted. The Information is subject to change without notice and replaces all data sheets previously supplied. The Information supplied is believed to be accurate but the Group assumes no responsibility for its accuracy or completeness, any error in or omission from it or for any use made of it. Users of this data sheet should check for themselves the information and the suitability of the products for their purpose and not make any assumptions based on information included or omitted. Liability for loss or damage resulting from any reliance on the Information or use of it (including liability resulting from negligence or where the Group was aware of the possibility of such loss or damage arising) is excluded. This will not operate to limit or restrict the Group's liability for death or personal injury resulting from its negligence. Multicomp is the registered trademark of the Group. © Premier Farnell plc 2012.

TOLERANCES: UNLESS OTHERWISE SPECIFIED, DIMENSIONS ARE FOR REFERENCE PURPOSES ONLY.	DRAWN BY: SAN	DATE: 13/06/12	DRAWING TITLE: <h3>Detector Switch - Cards</h3>			
	CHECKED BY: SID	DATE: 13/06/12	SIZE A	DWG NO. M10001231	ELECTRONIC FILE IPTG Switch_DWG	REV A
	APPROVED BY:	DATE: 27/06/12	SCALE: NTS	U.O.M.: mm	SHEET: 3 OF 3	