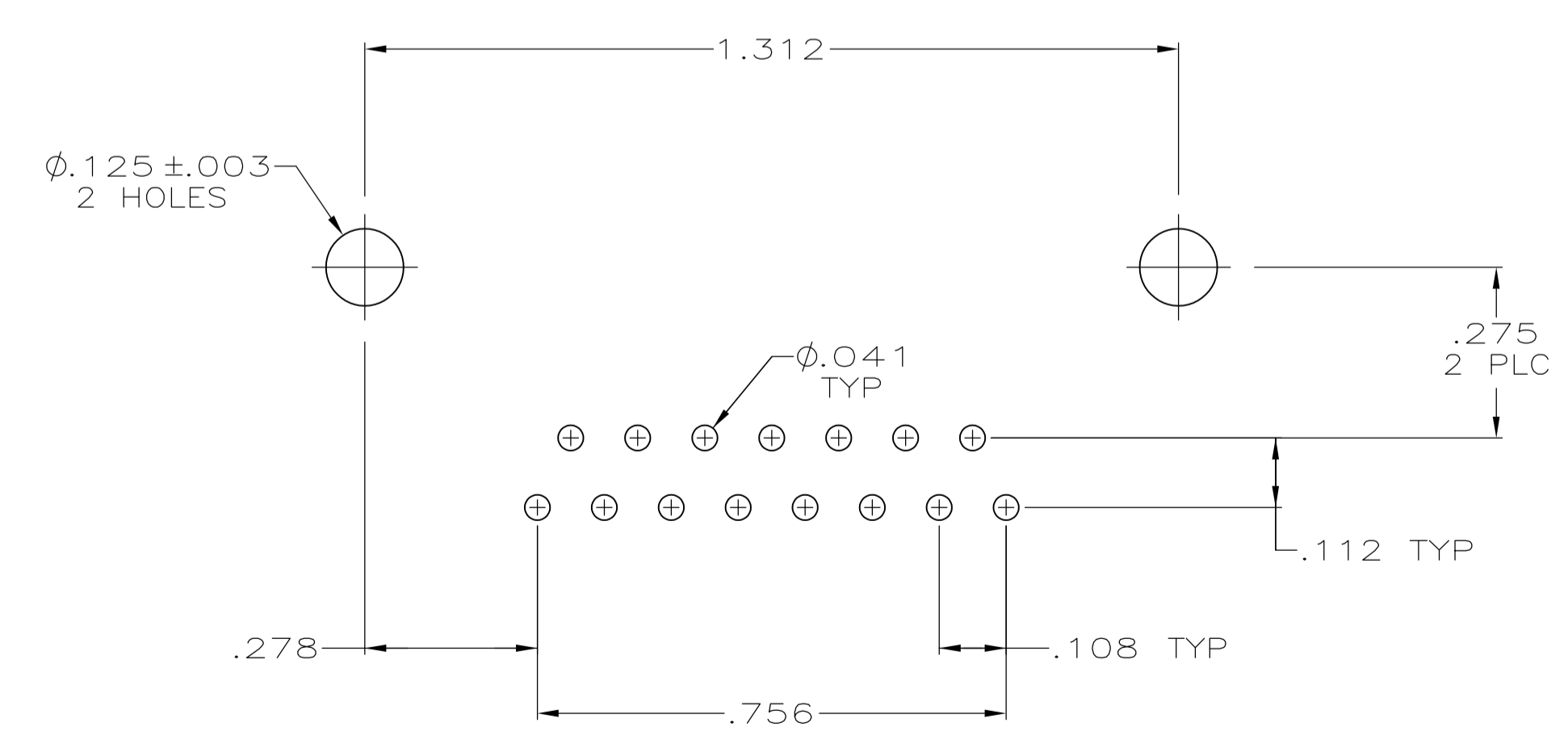
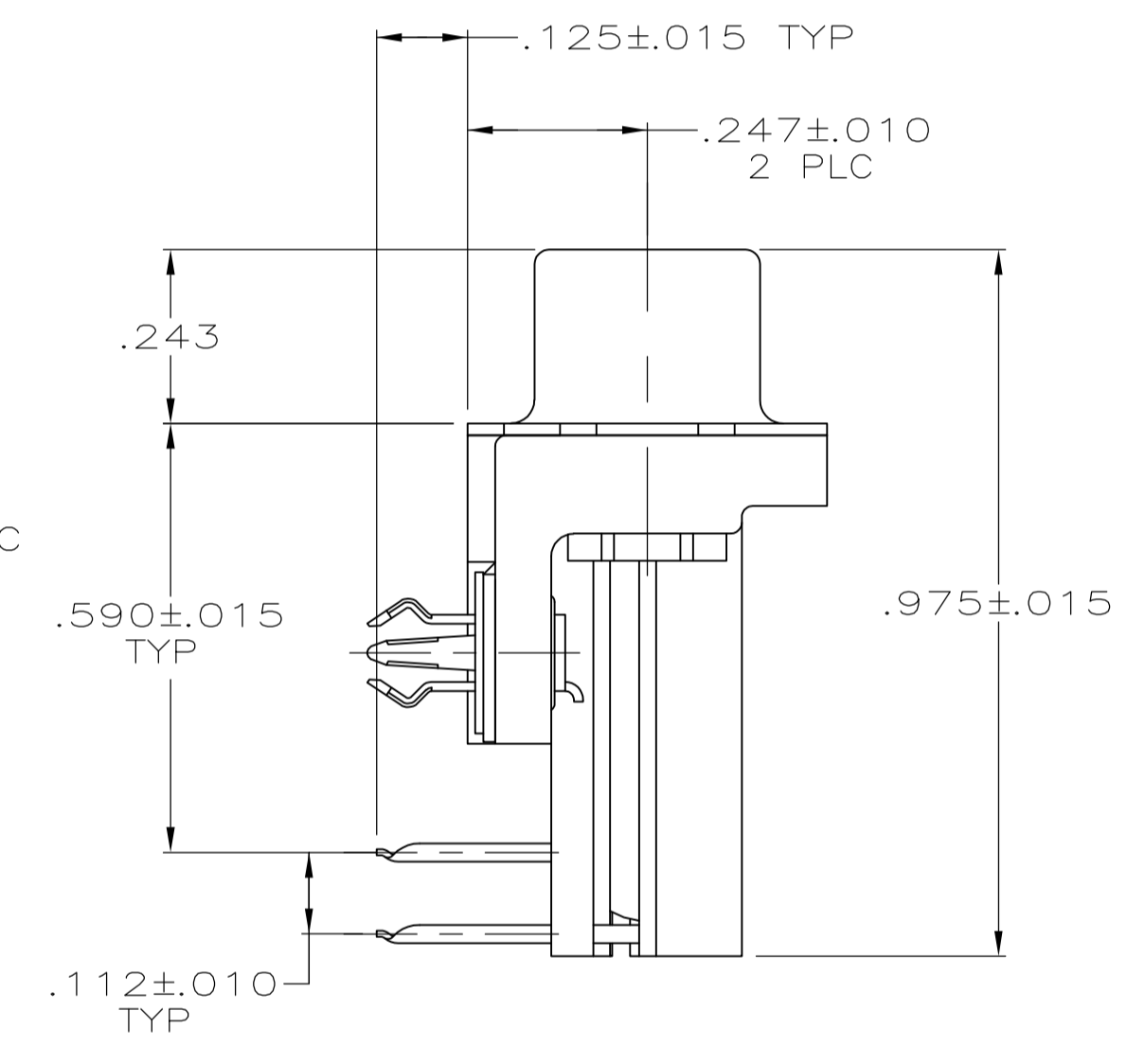
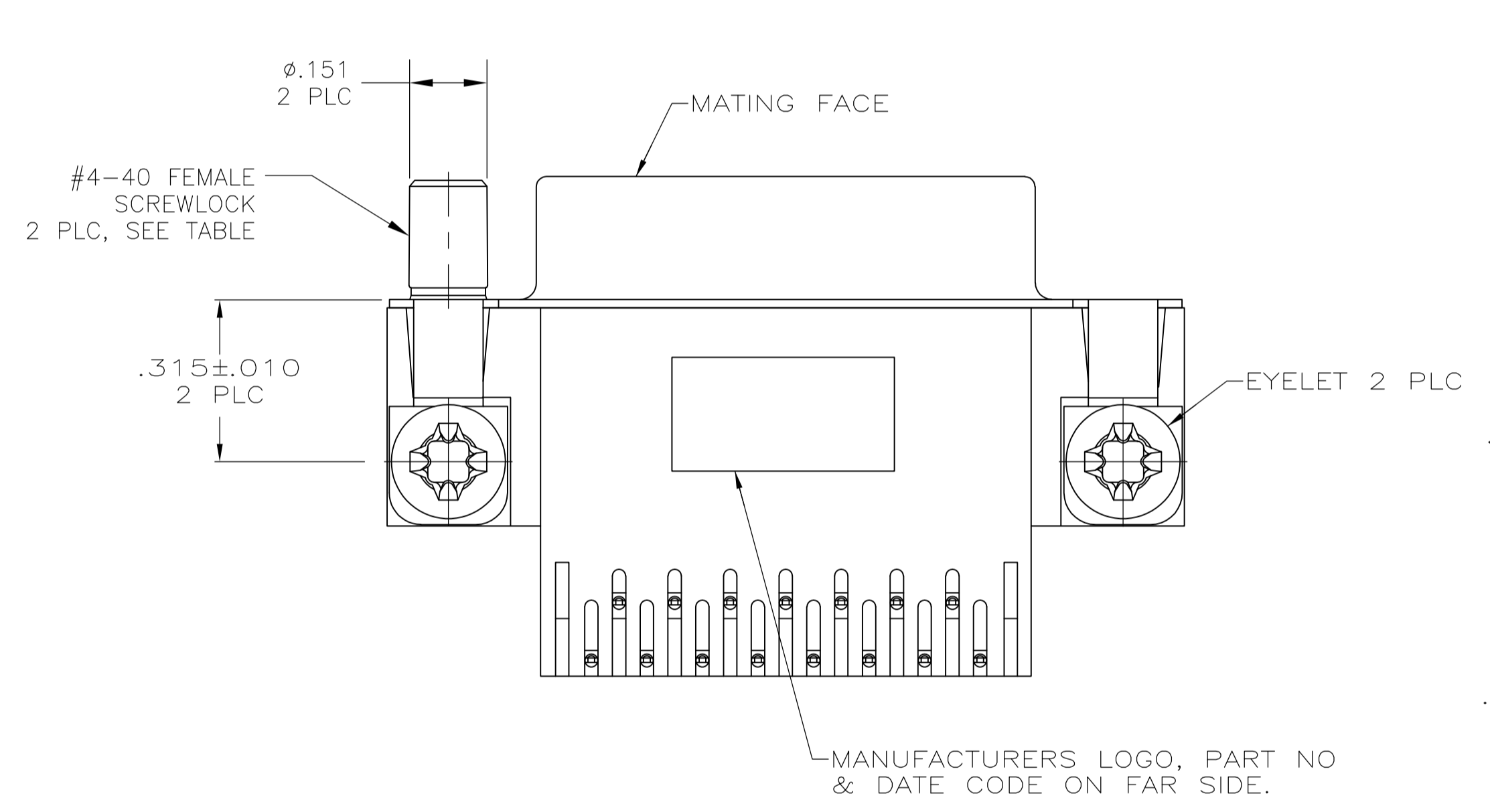
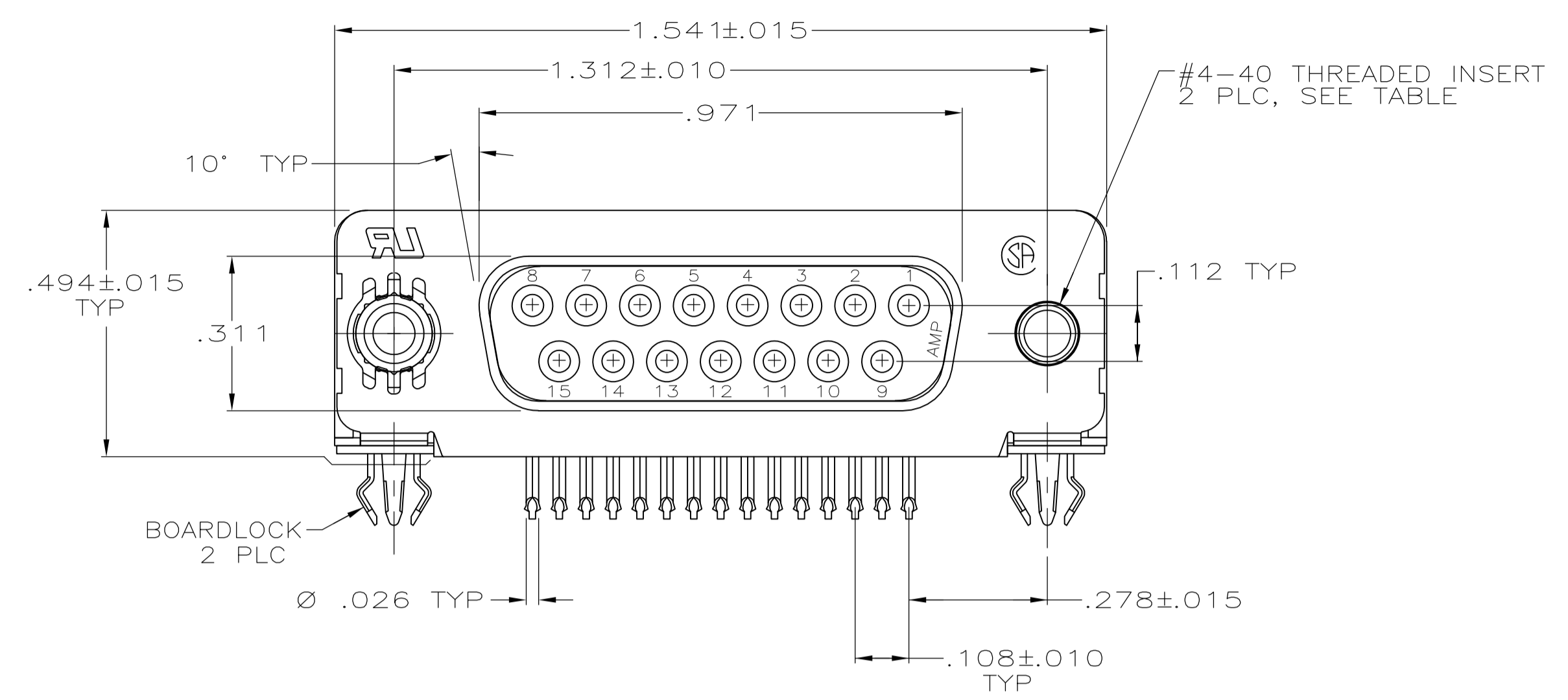


| LOC | | DIST | | REVISIONS | | | |
|-----|-----|---------------------------|-----------|-----------|------|--|--|
| P | LTR | DESCRIPTION | DATE | DN | APVD | | |
| A | | REVISED PER ECO-12-003035 | 09MAR2012 | CJV | SLB | | |



PC BOARD MOUNTING DIMENSIONS

- 1 HOUSING: FLAME RETARDANT, 94V-0 RATED, THERMOPLASTIC, BLACK.
SHELL: CARBON STEEL.
CONTACTS: PHOSPHOR BRONZE.
EYELETS: BRASS.
INSERTS & SCREWLOCKS: ZINC.
BOARDLOCKS: COPPER ALLOY.
- 2 SHELL: .000100 MIN TIN OVER .000050 MIN COPPER.
CONTACTS: .000030 MIN GOLD FOR A DISTANCE OF .100 MIN FROM MATING END, .000100 MIN TIN ON TERMINATION END, ALL OVER .000050 MIN. NICKEL ON ENTIRE CONTACT.
EYELETS: .000100 MIN TIN OVER COPPER FLASH.
BOARDLOCKS: .000150 MIN TIN OVER .000050 MIN NICKEL.
INSERTS & SCREWLOCKS: CLEAR CHROMATE.

**COPYRIGHT 2005
TYCO ELECTRONICS CORP
ALL RIGHTS RESERVED**

| | |
|-------------------|-------------|
| FEMALE SCREWLOCKS | 5747837-6 |
| THREADED INSERT | 5747837-4 |
| MOUNTING HARDWARE | PART NUMBER |

| | | | | | | | | | | | | | | | | | | | | | | | | | | | | | | | | | |
|---|---|--|--------|------------------------------|--------|-------|--------|-------|--------|-------|--------|--------|-------|---|--|------|-----------|--------|---|---|--|------|---|--------------|-----------|------------------|-----------|------|----|-----------|-------|------------|---------|
| THIS DRAWING IS A CONTROLLED DOCUMENT. DIMENSIONING AND TOLERANCING PER ASME Y14.5M-2009 | | DIN G. ATTADIA - DOCKS 04-11-05 | | CIVIL S. BOLASH 04-11-05 | | | | | | | | | | | | | | | | | | | | | | | | | | | | | |
| DIMENSIONS: INCHES | | TOLERANCES UNLESS OTHERWISE SPECIFIED: | | APVD M. WALMSLEY 04-11-05 | | | | | | | | | | | | | | | | | | | | | | | | | | | | | |
| <table border="1"> <tr><td>0 PLC</td><td>± .005</td></tr> <tr><td>1 PLC</td><td>± .005</td></tr> <tr><td>2 PLC</td><td>± .005</td></tr> <tr><td>3 PLC</td><td>± .005</td></tr> <tr><td>4 PLC</td><td>± .005</td></tr> <tr><td>ANGLES</td><td>± .2°</td></tr> </table> | | 0 PLC | ± .005 | 1 PLC | ± .005 | 2 PLC | ± .005 | 3 PLC | ± .005 | 4 PLC | ± .005 | ANGLES | ± .2° | <table border="1"> <tr><td>SIZE</td><td>114-40010</td></tr> <tr><td>WEIGHT</td><td>-</td></tr> </table> | | SIZE | 114-40010 | WEIGHT | - | <table border="1"> <tr><td>NAME</td><td>RECEPTACLE ASSEMBLY, SIZE 2, RIGHT ANGLE, .590 SERIES, FRONT METAL SHELL, .026 DIA POSTS, BOARDLOCKS, AMPLIMITE HD-20</td></tr> <tr><td>PRODUCT SPEC</td><td>108-40025</td></tr> <tr><td>APPLICATION SPEC</td><td>114-40010</td></tr> <tr><td>SIZE</td><td>A1</td></tr> <tr><td>CAGE CODE</td><td>00779</td></tr> <tr><td>DRAWING NO</td><td>5747837</td></tr> </table> | | NAME | RECEPTACLE ASSEMBLY, SIZE 2, RIGHT ANGLE, .590 SERIES, FRONT METAL SHELL, .026 DIA POSTS, BOARDLOCKS, AMPLIMITE HD-20 | PRODUCT SPEC | 108-40025 | APPLICATION SPEC | 114-40010 | SIZE | A1 | CAGE CODE | 00779 | DRAWING NO | 5747837 |
| 0 PLC | ± .005 | | | | | | | | | | | | | | | | | | | | | | | | | | | | | | | | |
| 1 PLC | ± .005 | | | | | | | | | | | | | | | | | | | | | | | | | | | | | | | | |
| 2 PLC | ± .005 | | | | | | | | | | | | | | | | | | | | | | | | | | | | | | | | |
| 3 PLC | ± .005 | | | | | | | | | | | | | | | | | | | | | | | | | | | | | | | | |
| 4 PLC | ± .005 | | | | | | | | | | | | | | | | | | | | | | | | | | | | | | | | |
| ANGLES | ± .2° | | | | | | | | | | | | | | | | | | | | | | | | | | | | | | | | |
| SIZE | 114-40010 | | | | | | | | | | | | | | | | | | | | | | | | | | | | | | | | |
| WEIGHT | - | | | | | | | | | | | | | | | | | | | | | | | | | | | | | | | | |
| NAME | RECEPTACLE ASSEMBLY, SIZE 2, RIGHT ANGLE, .590 SERIES, FRONT METAL SHELL, .026 DIA POSTS, BOARDLOCKS, AMPLIMITE HD-20 | | | | | | | | | | | | | | | | | | | | | | | | | | | | | | | | |
| PRODUCT SPEC | 108-40025 | | | | | | | | | | | | | | | | | | | | | | | | | | | | | | | | |
| APPLICATION SPEC | 114-40010 | | | | | | | | | | | | | | | | | | | | | | | | | | | | | | | | |
| SIZE | A1 | | | | | | | | | | | | | | | | | | | | | | | | | | | | | | | | |
| CAGE CODE | 00779 | | | | | | | | | | | | | | | | | | | | | | | | | | | | | | | | |
| DRAWING NO | 5747837 | | | | | | | | | | | | | | | | | | | | | | | | | | | | | | | | |
| MATERIAL | | FINISH | | CUSTOMER DRAWING | | | | | | | | | | | | | | | | | | | | | | | | | | | | | |
| 1 | | 2 | | SCALE 4:1 SHEET 1 OF 1 REV A | | | | | | | | | | | | | | | | | | | | | | | | | | | | | |