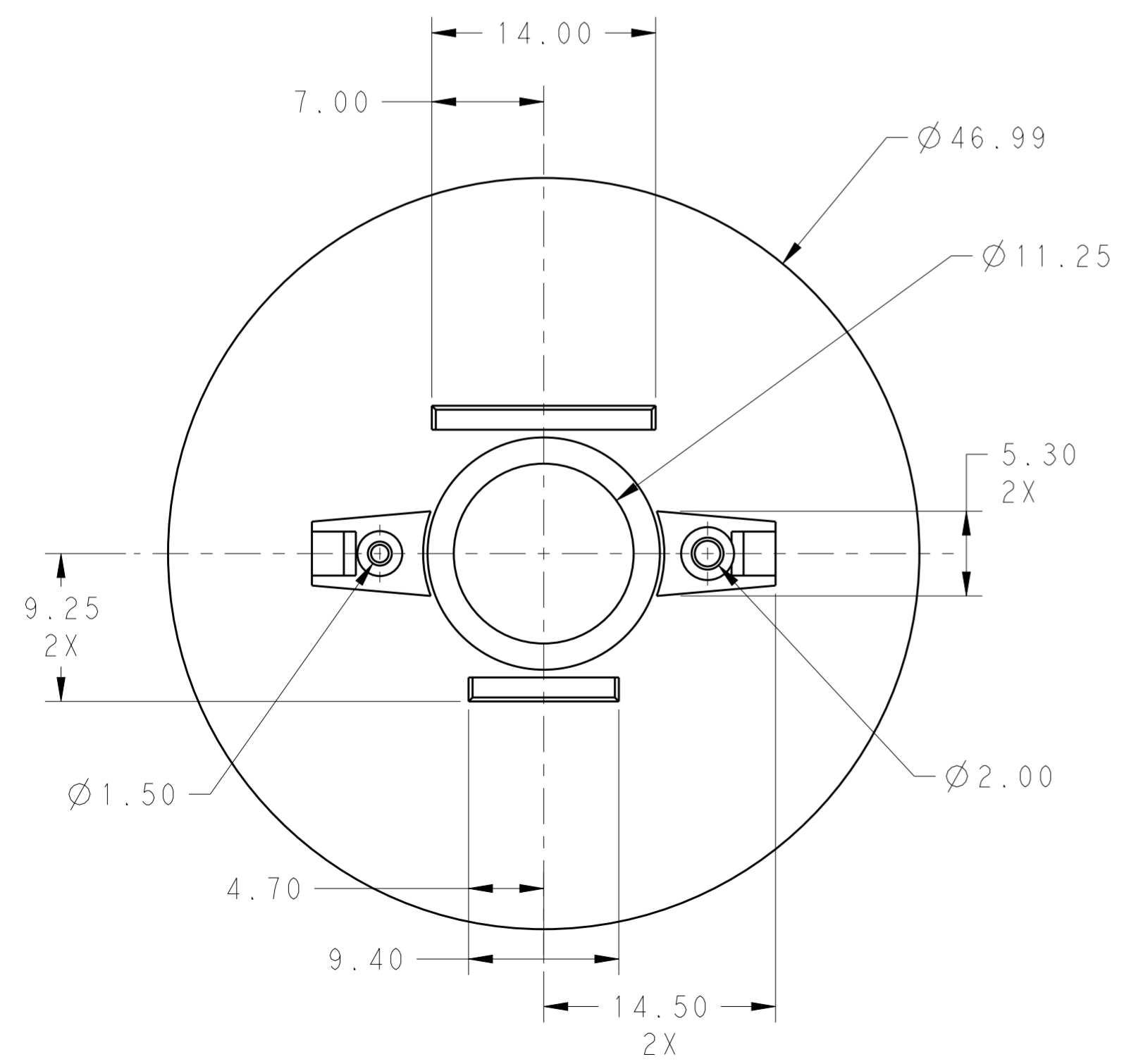
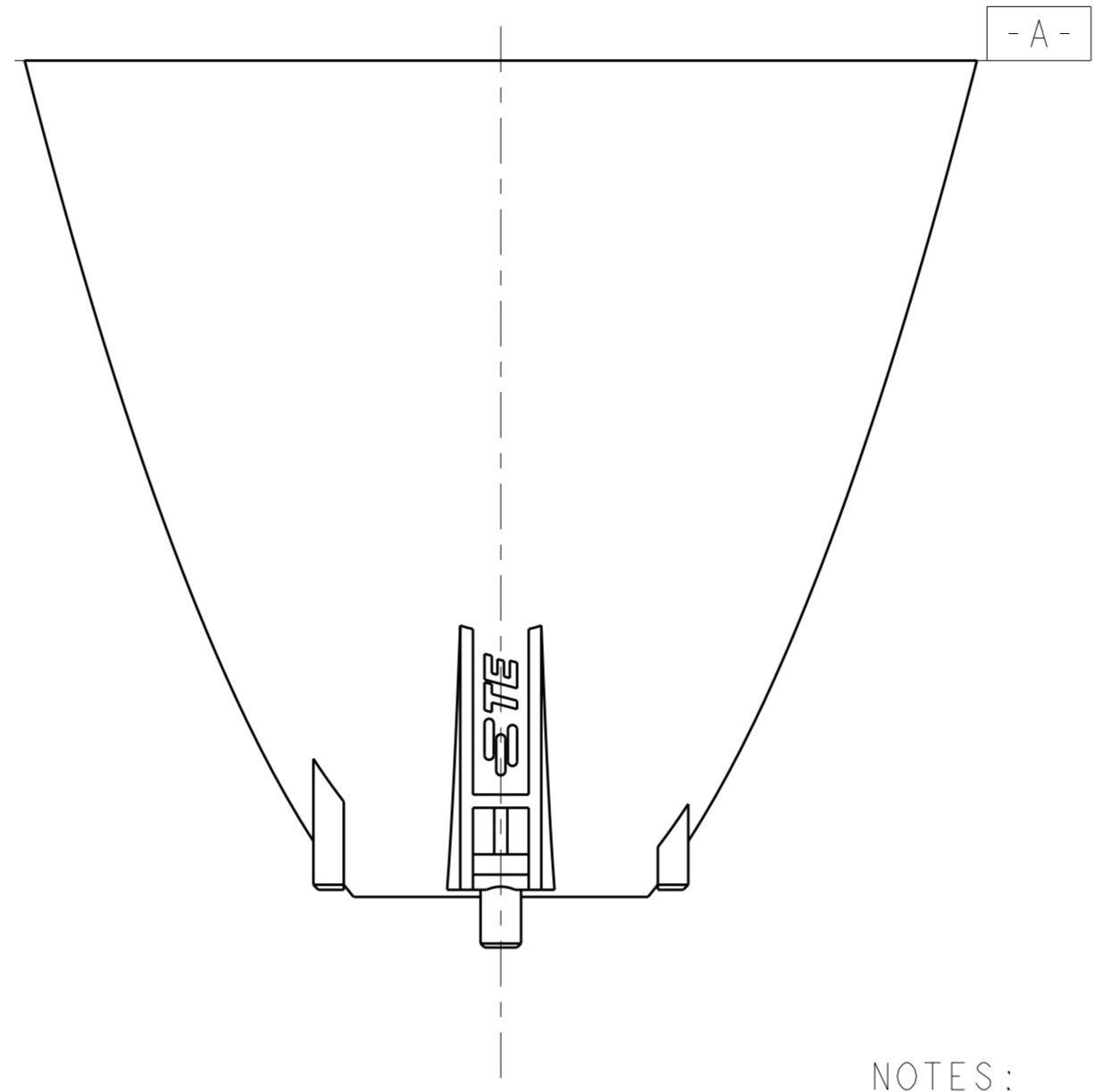
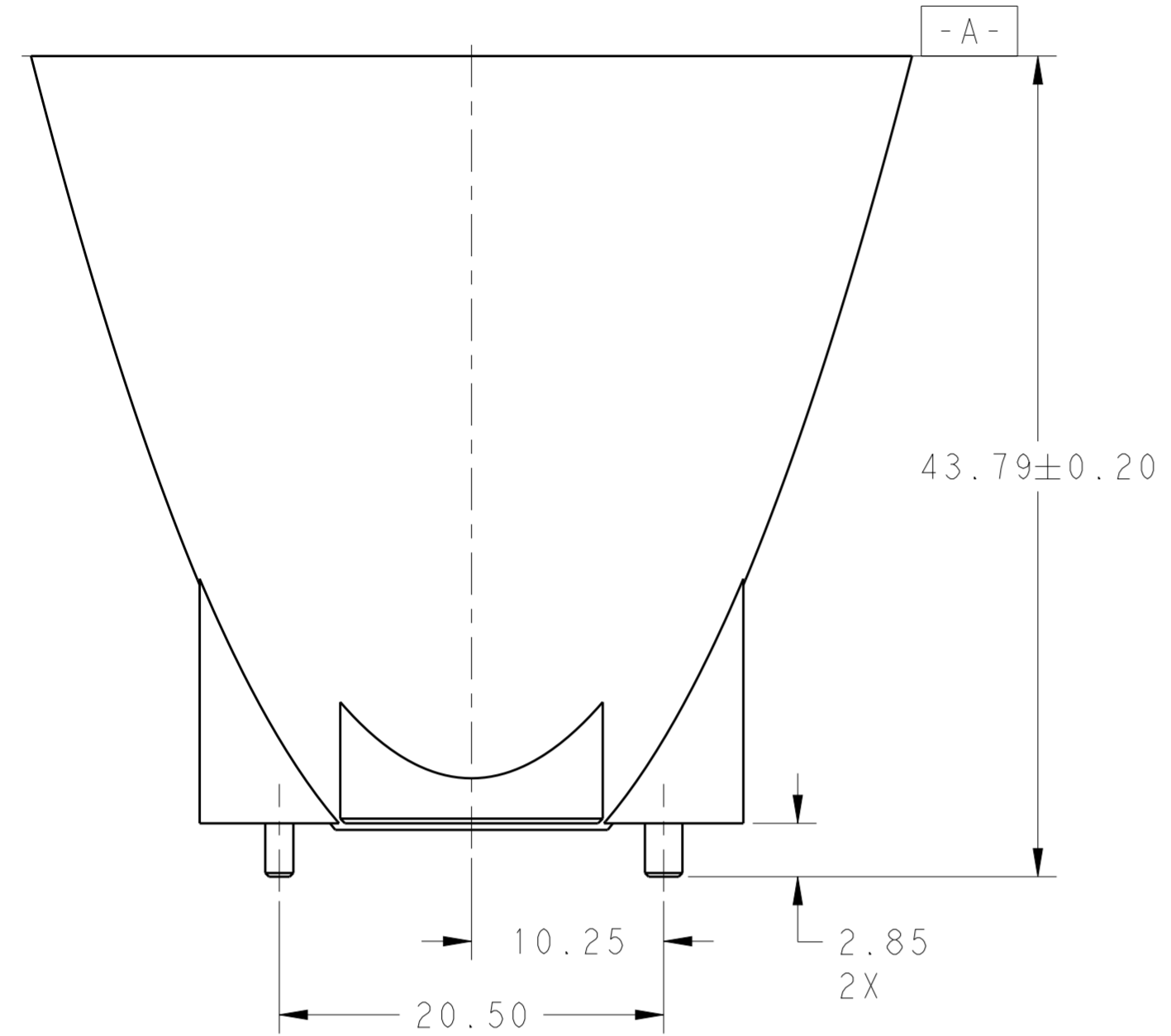


THIS DRAWING IS UNPUBLISHED. RELEASED FOR PUBLICATION 20
 © COPYRIGHT 20 BY - ALL RIGHTS RESERVED.

REVISIONS							
LOC	DIST	P	LTR	DESCRIPTION	DATE	DWN	APVD
-	-	A		REVISED PER ECR-12-002666	08AUG2012	RS	MM



NOTES:

- ① MATERIAL: PC
- ② COATING: ALUMINUM COATING WITH CLEAR LACQUER
- 3. MUST COMPLY WITH DIRECTIVE 2002/95/EC (ROHS)
- 4. FOR USE WITH P/N 2154235-2
- 5. PERFORMANCE:
 EFFICIENCY: 85% TYPICAL
 OPERATING TEMPERATURE: -40 TO 105°C
 SEE SHEET 2 FOR ADDITIONAL INFORMATION
- ③ ILLUMINACE VALUE BASED ON 17200 cd @ 991 lm OUTPUT

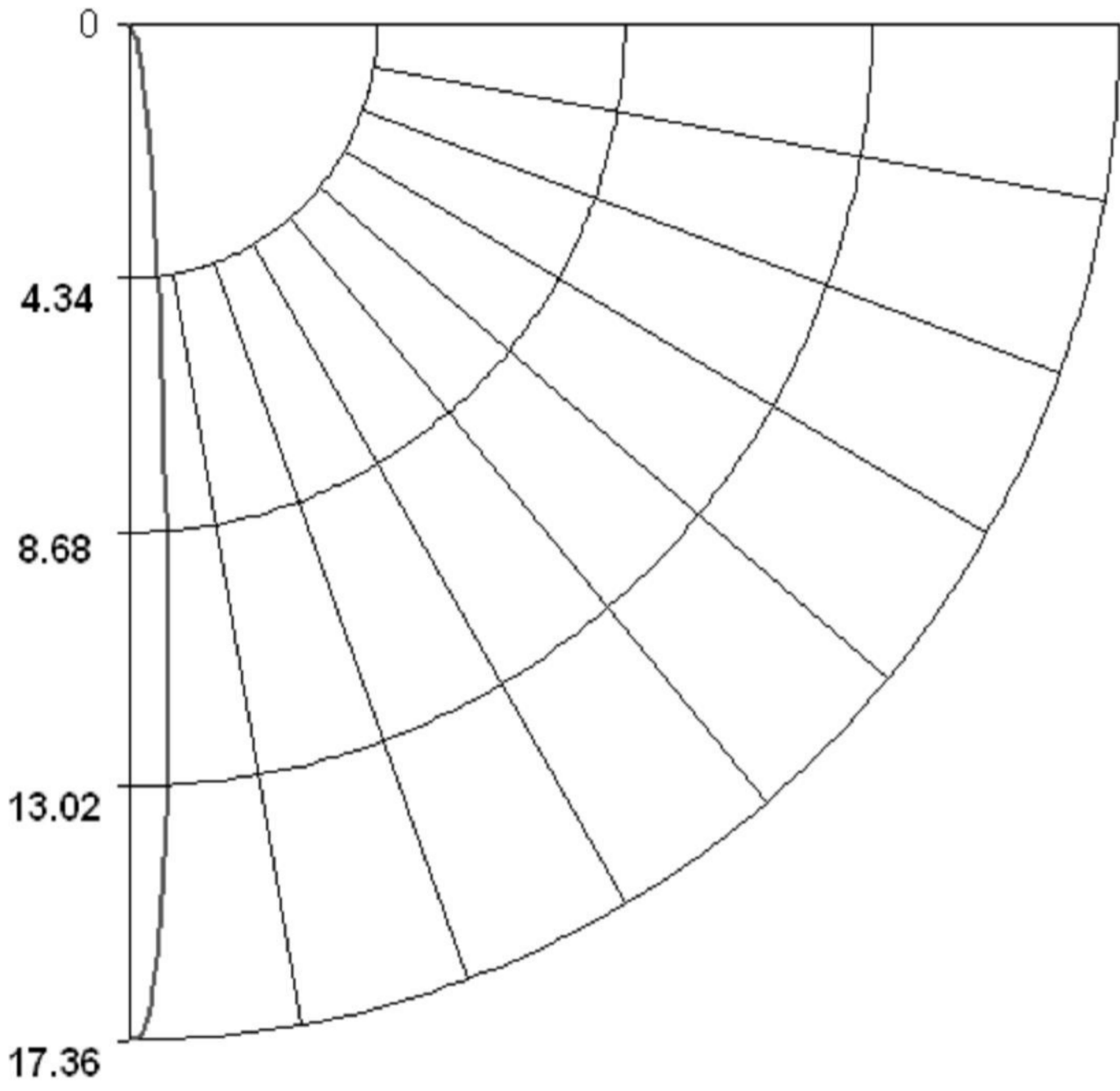
10°	1-2154430-1
BEAM ANGLE FWHM	PART NUMBER

THIS DRAWING IS A CONTROLLED DOCUMENT.		DWN R BROWN 04MAY2011	TE Connectivity	
		CHK R NARANG 04MAY2011		
DIMENSIONS: mm		APVD -	NAME OPTIC, SOLDERLESS LED SOCKET TYPE LS	
TOLERANCES UNLESS OTHERWISE SPECIFIED:		PRODUCT SPEC 108-2455	SIZE A2	
0 PLC ±		APPLICATION SPEC 114-13294	CAGE CODE 200779	DRAWING NO C-2154430
1 PLC ±0.2		WEIGHT -	RESTRICTED TO -	
2 PLC ±0.13		SCALE 3:1 SHEET 1 OF 2 REV A		
3 PLC ±		Customer Drawing		
4 PLC ±				
ANGLES ±2°				
FINISH				

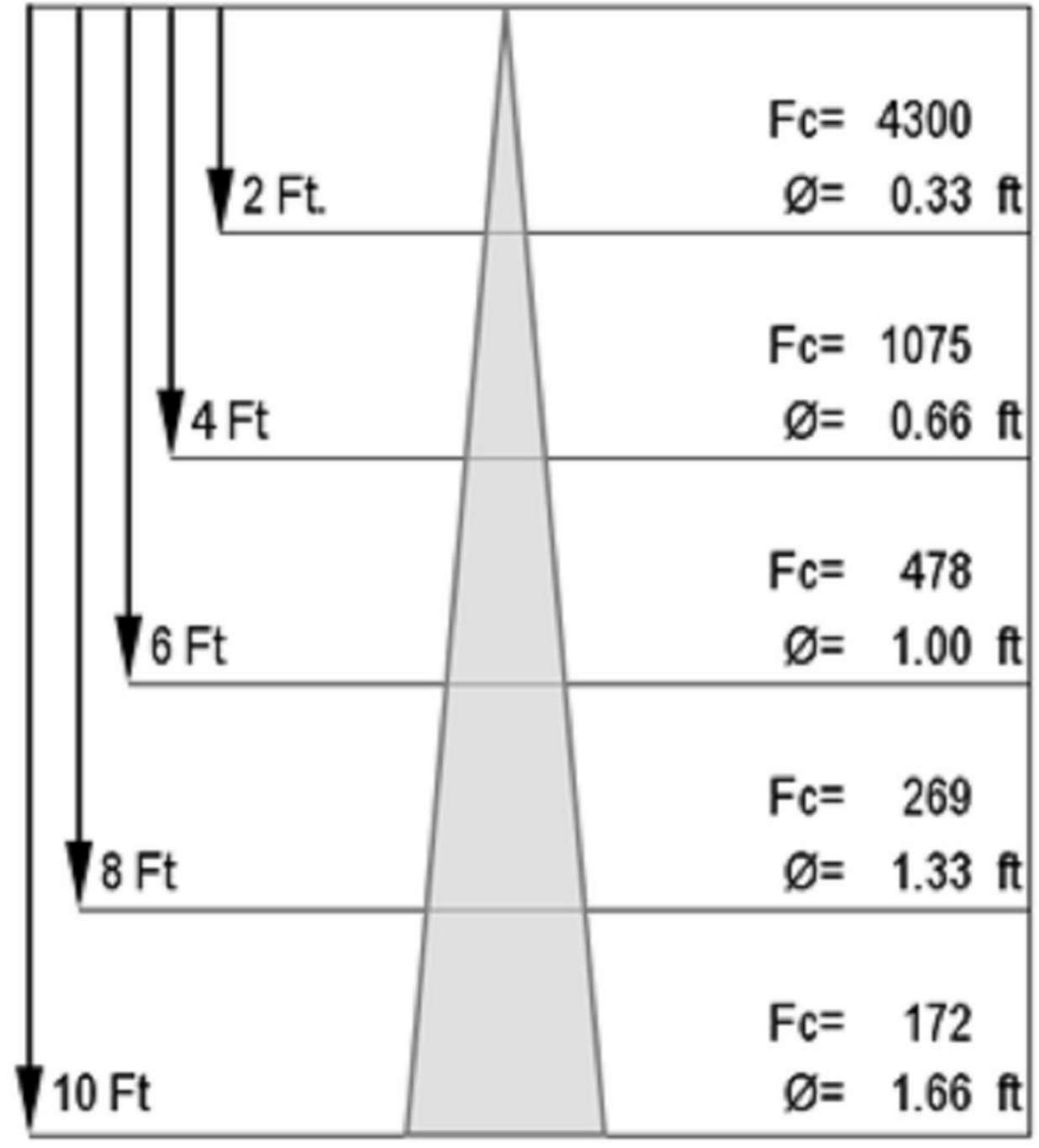
LOC	DIST	REVISIONS			
P	LTR	DESCRIPTION	DATE	DWN	APVD
-	-	SEE SHEET 1	-	-	-

PHOTOMETRIC INFORMATION:

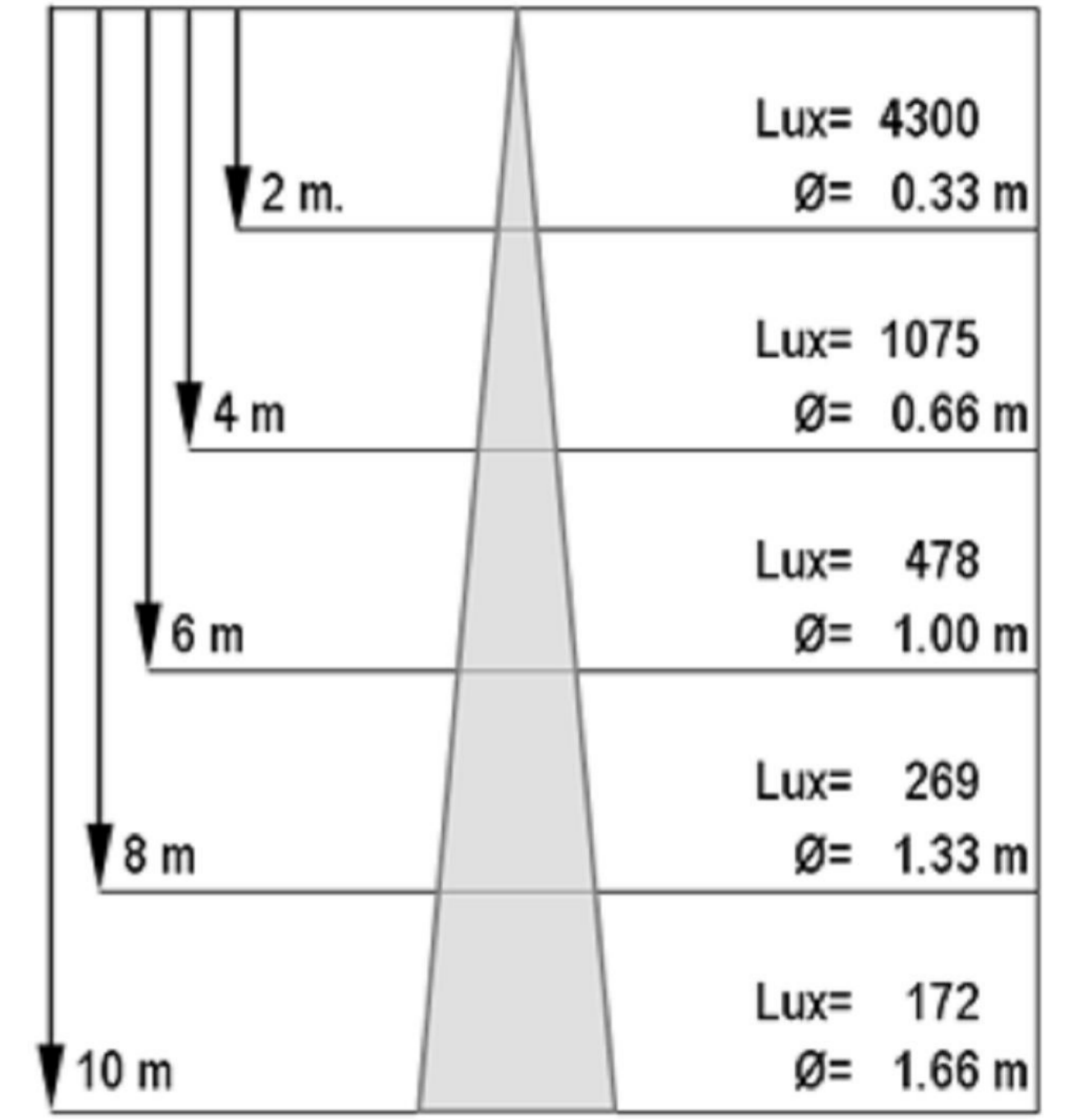
Candela Polar Plot
(Unit: cd/lm)



10 ° NARROW SPOT
3000K



10 ° NARROW SPOT
3000K



THIS DRAWING IS A CONTROLLED DOCUMENT.		DWN R BROWN 04MAY2011	TE Connectivity
		CHK R NARANG 04MAY2011	
DIMENSIONS: mm	TOLERANCES UNLESS OTHERWISE SPECIFIED:	APVD -	NAME OPTIC, SOLDERLESS LED SOCKET TYPE LS
	0 PLC ± 1 PLC ±0.2 2 PLC ±0.13 3 PLC ± 4 PLC ±	PRODUCT SPEC 108-2455	SIZE A200779
MATERIAL	ANGLES ±2° FINISH	APPLICATION SPEC 114-13294	DRAWING NO C-2154430
		WEIGHT -	RESTRICTED TO -
		Customer Drawing	SCALE 3:1 SHEET 2 OF 2 REV A