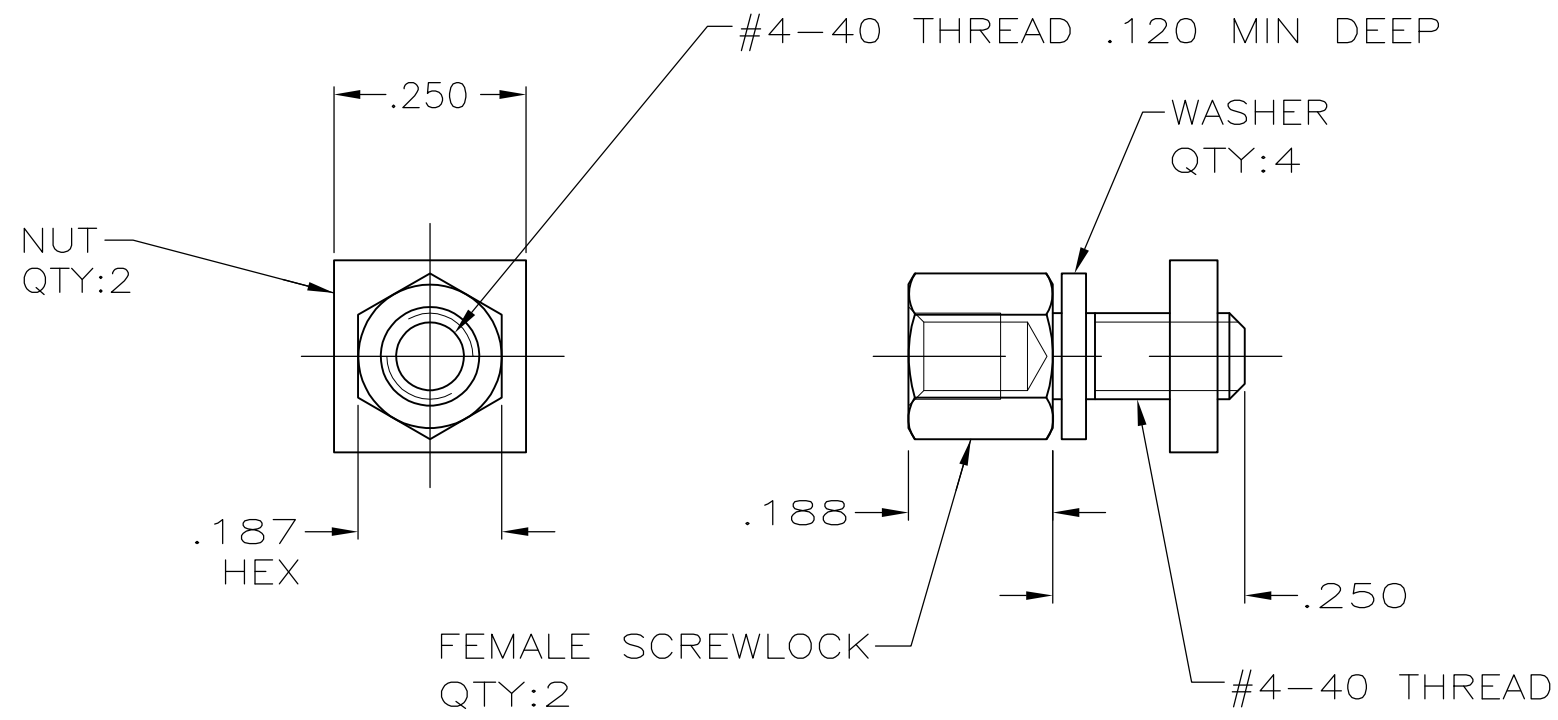



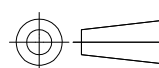
THIS DRAWING IS UNPUBLISHED. RELEASED FOR PUBLICATION
 © COPYRIGHT - By - ALL RIGHTS RESERVED.

LOC	DIST	REVISIONS					
GP	00	P	LTR	DESCRIPTION	DATE	DWN	APVD
		P		REVISED PER ECO-11-004835	11MAR11	RK	HMR



- 1 ZINC PLATED .000200-.000400 THICK, YELLOW CHROMATE COATING.
- 2 ZINC PLATED .000200-.000400 THICK, CLEAR CHROMATE COATING.
- 3. PARTS PACKAGED UNASSEMBLED.
- 4. PARTS PACKAGED AS A UNIT KIT.

2	5207952-3
1	5207952-1
FINISH	PART NUMBER

THIS DRAWING IS A CONTROLLED DOCUMENT.		DWN	S.WAITMAN	28JUN05	 TE Connectivity			
DIMENSIONS: INCHES		CHK	C.ROHDE	28JUN05				
		APVD	M.WALMSLEY	28JUN05				
TOLERANCES UNLESS OTHERWISE SPECIFIED:		NAME						
0 PLC ± - 1 PLC ± - 2 PLC ± - 3 PLC ± .005 4 PLC ± - ANGLES ± -		PRODUCT SPEC			SCREWLOCK KIT, FEMALE, SHORT, AMPLIMITE			
MATERIAL: STEEL		FINISH: SEE TABLE			APPLICATION SPEC			
		WEIGHT: -			SIZE	CAGE CODE	DRAWING NO	RESTRICTED TO
		CUSTOMER DRAWING			A3	00779	C-5207952	-
					SCALE	SHEET	REV	
					4:1	1 OF 1	P	