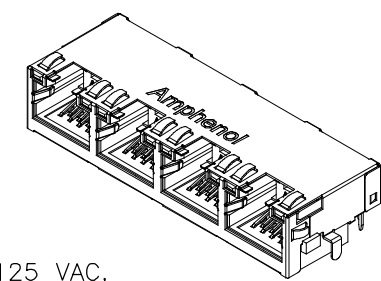


REVISIONS			
REV	ECN, ERN NO.	DATE	APPRD.
A	PROPOSAL DRAWING	FEB. 22,2012	L.CHAN
B	PROPOSAL DRAWING	MAR. 08,2012	L.CHAN



NOTES:
ELECTRICAL:

- VOLTAGE RATING : 125 VAC.
- CURRENT RATING : 1.25 AMP.
- INSULATING RESISTANCE : 500 MEGOHMS MINIMUM.
- DIELECTRIC STRENGTH : 1000 VAC 60Hz, 1MIN.
- CATEGORY 5E CHARACTERISTIC:
Frequency Near-End Crosstalk Return Loss Attenuation

MHz	dB, MIN.	dB, MIN.	dB, MAX.
1.0	65	30	0.1
4.0	65	30	0.1
8.0	64.9	30	0.1
10.0	63	30	0.1
16.0	58.9	30	0.2
20.0	57	30	0.2
25.0	55	30	0.2
31.25	53.1	30	0.2
62.5	47.1	24.1	0.3
100.0	43	20	0.4

MECHANICAL:

- SHIELD : STAINLESS STEEL, WITH TIN-DIP ON SOLDER TABS.
- HOUSING : HIGH TEMP THERMOPLASTIC. UL 94V-0.
- INSERT : HIGH TEMP THERMOPLASTIC UL 94V-0.
- PCB : FR-4.
- CONTACT : PHOSPHOR BRONZE.
SELECTIVE GOLD PLATING FOR MATING SURFACE, SEE AMPHENOL PART NUMBER FOR DETAIL.
50u" NICKEL UNDERPLATE
100u" MATTE TIN PLATING ON CONTACT SOLDER TAIL.

ENVIRONMENTAL:

- STORAGE : -40° TO +85°.
 - OPERATION : -40° TO +85°.
- MATES WITH MODULAR PLUG CONFORMING TO FCC PART 68, SUBPART F.
RECOMMENDED SOLDER PROCESS: WAVE SOLDER, PEAK TEMPERATURE 260° FOR 10 SECOND.

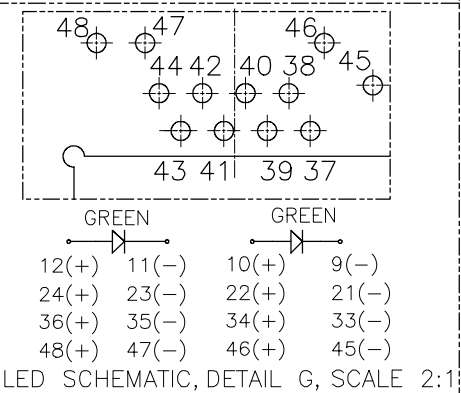
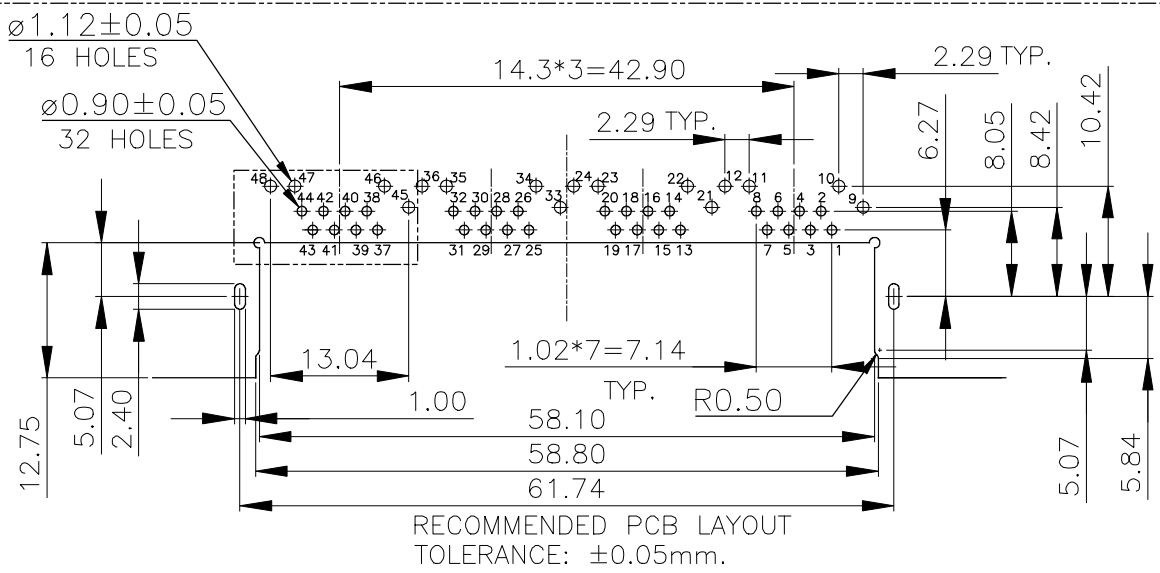
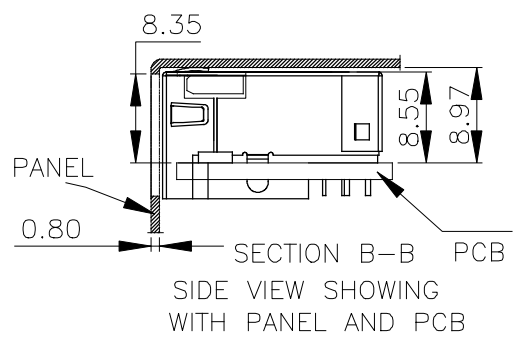
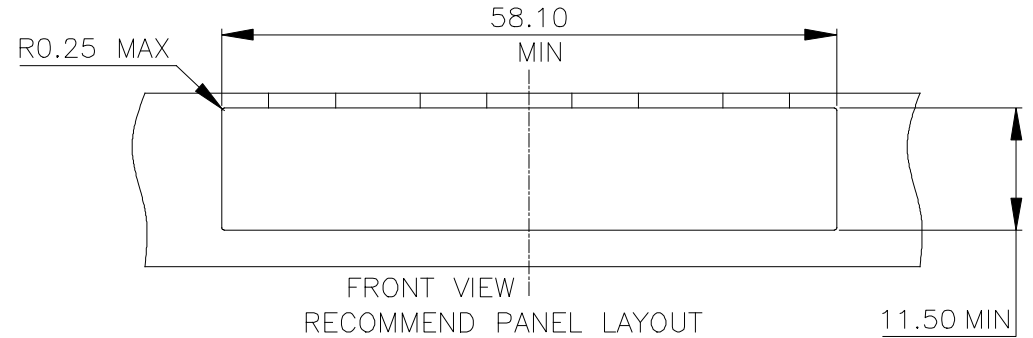
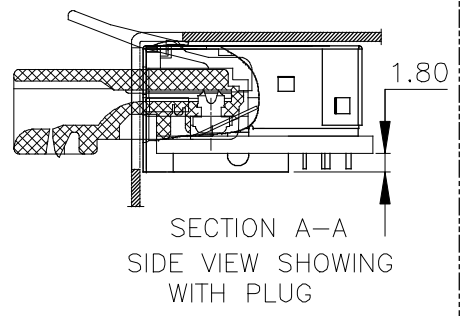
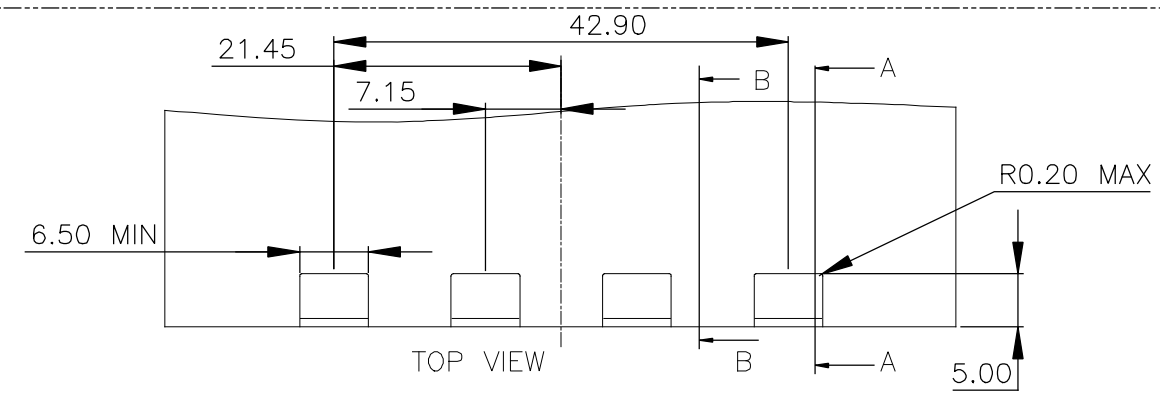
AMPHENOL PART NUMBER: RJE72-488-1XXX

GOLD PLATING OPTION _____ REFER TO LED OPTIONS (SEE BELOW TABLE 1) FOR ORDERING CODES

1=6u" GOLD PLATING
2=15u" GOLD PLATING
3=30u" GOLD PLATING
4=50u" GOLD PLATING

TABLE 1

RJE724881XX1	3.18	2.36
RJE724881XX2	2.27	1.57
RJE724881XX3	2.16	1.57
AMPHENOL P/N:	DIM A	RECOMMEND PCB THICKNESS



UNLESS OTHERWISE SOECIFIED DIMENSION ARE IN mm TOLERANCE ARE : FRACTION DECIMALS ANGLES

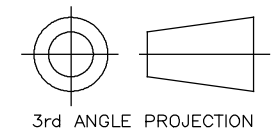
.X	±0.50	.X°	±3.0°
.XX	±0.30	.X'	±2.0°
.XXX	±0.10	.XX'	±1.0°

DRAWN	HUGH WANG	DATE	FEB 22,2012
DESIGNED	HUGH WANG		FEB 22,2012
CHECKED	L.CHAN		FEB 22,2012
I. E. APPRD.			
Q. A. APPRD.			
DWG. APPRD.	ADRIAN.G		FEB 22,2012
ENG. REL. NO.			
REF.			
DIMENSIONS ARE IN	CODE ID. NO.		
mm	03554		

Amphenol Canada Corp.

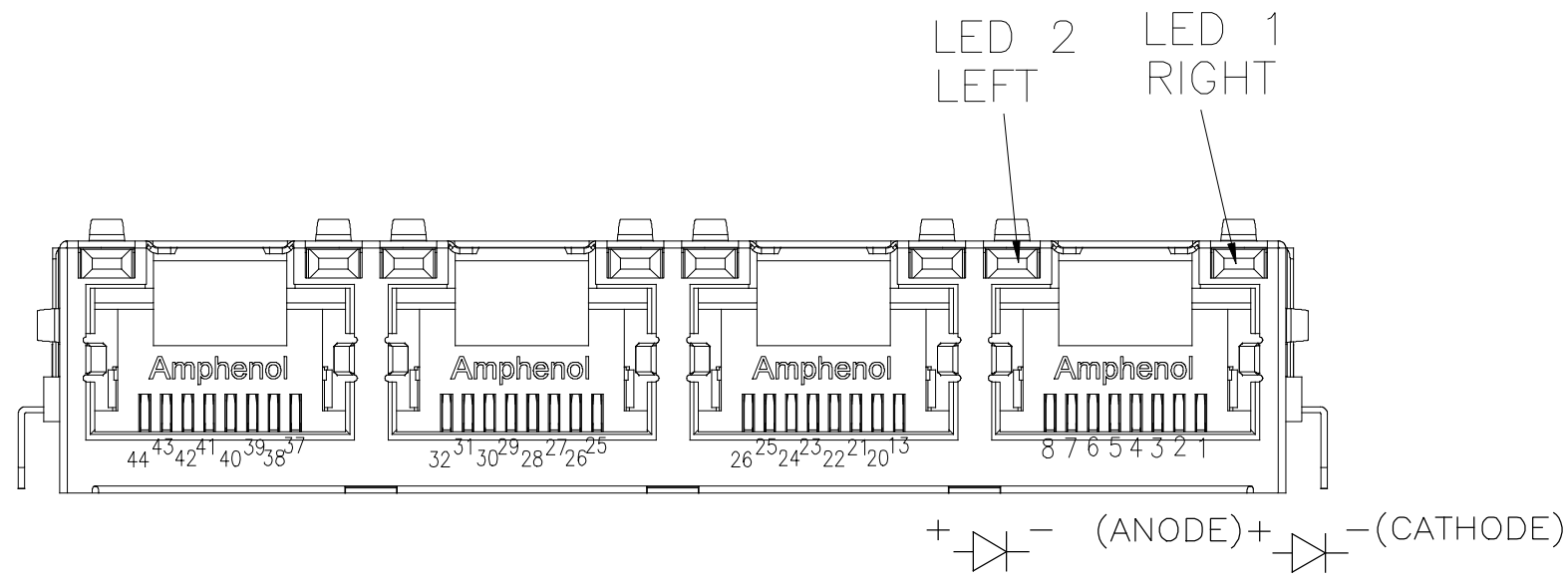
TITLE
MODULAR JACK, 1X4 PORTS, 8 POSITIONS, 8 CONTACTS, SHIELDED WITH TOP & SIDE TABS, WITH LED, SINK PCB TYPE, TAB UP, CAT5E

THIS DOCUMENT CONTAINS PROPRIETARY INFORMATION AND SUCH INFORMATION MAY NOT BE DISCLOSED TO OTHERS FOR ANY PURPOSE OR USED FOR MANUFACTURING PURPOSES WITHOUT WRITTEN PERMISSION FROM AMPHENOL CANADA CORP.



DWG	DRAWING NO.	REV.
C	P-RJE72-488-1XXX	B
SCALE	4/1	WT. ----- SURF. ----- SHEET 1 OF 1

REVISIONS			
REV	ECN, ERN NO.	DATE	APPRD.
A	PROPOSAL DRAWING	FEB. 22,2012	L.CHAN



TYPICAL FOR SINGLE & MULTI-PORT

EXAMPLE:

PART NUMBER RJE72-488-1XXX



LED SPECIFICATIONS:
 FORWARD VOLTAGE: 2.1 VOLTS TYP.
 REVERSE VOLTAGE: 5.0 VOLTS MIN.
 LUMINOUS INTENSITY: 0.5 mCd MIN.
 (AT If=2mA)
 STORAGE TEMPERATURE: -40° TO 85° C
 LEAD SOLDERING TEMPERATURE: 260° C
 (5 SEC, 1/16" FROM CASE)
 PLATING ON TAILS: TIN OR TIN/COPPER ALLOY OVER SILVER

PRIMARY COLOR FOR BI-COLOR LEDS IN STANDARD ANODE/CATHODE CONFIGURATION IS:
 RED-GREEN= RED
 RED-YELLOW= RED
 GREEN-YELLOW= GREEN
 GREEN-ORANGE= GREEN

CODE	LED 2 (LEFT)	LED 1 (RIGHT)	CODE	LED 2 (LEFT)	LED 1 (RIGHT)	CODE	LED 2 (LEFT)	LED 1 (RIGHT)
0	BLOCKED	BLOCKED	9	GREEN	BLOCKED	J	BiC RD/GR	YELLOW
1	YELLOW	GREEN	A	BiC GR/YE	BiC GR/YE	K	YELLOW	BiC GR/OR
2	BLOCKED	GREEN	B	BiC RD/GR	BiC RD/GR	L	BiC GR/YE	RED
3	YELLOW	BLOCKED	C	BiC RD/GR	BiC GR/YE	M	RED	YELLOW
4	GREEN	YELLOW	D	GREEN	BiC GR/YE	P	GREEN	BiC RD/GR
5	GREEN	GREEN	E	YELLOW	BiC GR/YE	R	BiC GR/OR	GREEN
6	YELLOW	YELLOW	F	BiC GR/YE	YELLOW	T	RED	RED
7	RED	GREEN	G	BiC GR/OR	BiC GR/OR	V	BiC RD/GR	GREEN
8	GREEN	RED	H	BiC GR/YE	GREEN			

LEGEND

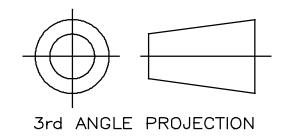
BiC=BI-COLOR LED
 LOWC=LOW CURRENT LED
 YE=YELLOW
 GR=GREEN
 RD=RED
 OR=ORANGE

NOTE:

THE TWO DIGITS PRECEDING THE ADDITIONAL LED CODE MUST BE USED IN THE PART NUMBER, WHEN ORDERING ANY OF THE ADDITIONAL LED OPTIONS.

THIS DOCUMENT CONTAINS PROPRIETARY INFORMATION AND SUCH INFORMATION MAY NOT BE DISCLOSED TO OTHERS FOR ANY PURPOSE OR USED FOR MANUFACTURING PURPOSES WITHOUT WRITTEN PERMISSION FROM AMPHENOL CANADA CORP.

UNLESS OTHERWISE SOECIFIED DIMENSION ARE IN mm TOLERANCE ARE : FRACTION DECIMALS ANGLES .X ±0.50 X' ±3.0° .XX ±0.30 .X' ±2.0° .XXX ±0.10 .XX' ±1.0°	DRAWN HUGH WANG	DATE FEB 22,2012
	DESIGNED HUGH WANG	FEB 22,2012
	CHECKED L.CHAN	FEB 22,2012
	I. E. APPRD.	
	Q. A. APPRD.	
	DWG. APPRD. ADRIAN.G	FEB 22,2012
	ENG. REL. NO.	
	REF.	
	DIMENSIONS ARE IN mm	CODE ID. NO. 03554



Amphenol Canada Corp.			
TITLE LED OPTIONS FOR RJE72, SINGLE OR MULTI-PORT CONNECTORS			
DWG C	DRAWING NO. P-RJE72-LEDs	REV. A	
SCALE 4/1	WT. -----	SURF. -----	SHEET 1 OF 1