

RECOMMENDED P.C.B LAYOUT  
(COMPONENT SIDE OF BOARD  
TOLERANCES: +/- 0.05[.002],  
BASED ON PRODUCT WITH  
SHIELD)

LOCATE HOLES  
⊕ ⌀.13[0.005]  
POSITION DIMENSIONS  
ARE BASIC

1. MATERIALS:  
PLASTIC HOUSING: THERMOPLASTIC PER MATERIAL OPTION IN PART NO.  
FLAMMABILITY RATING UL 94V-0  
COLOUR: BLACK

CONTACTS: PHOSPHOR BRONZE  
PLATING: REFER TO PART NO. FOR GOLD THICKNESS  
ON MATING SURFACES.  
50 μ" [1.27 MICRONS]  
MIN. NICKEL UNDERPLATE  
100 μ" [2.54 MICRONS]  
MIN. MATTE TIN ON CONTACT TAILS.

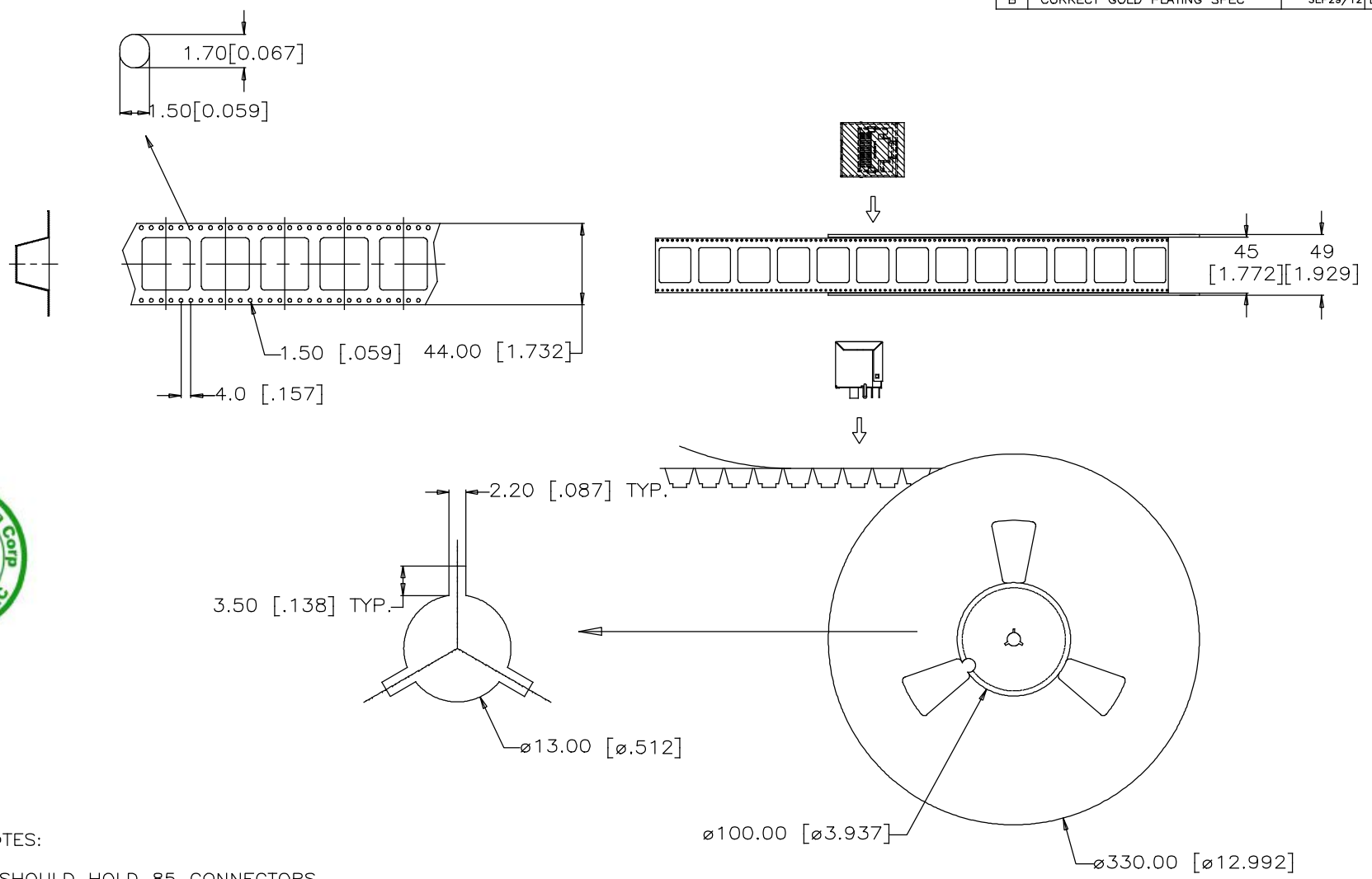
SHIELD: STAINLESS STEEL WITH TIN DIPPED PCB TAILS.  
2. THE DRAWING VIEWS ARE BASED ON PRODUCT WITH SHIELD.

AMPHENOL PART NUMBER: RJE74-1XX-XX11-X

NUMBER OF POSITION	1 = 6u"	3 = 30u"
8 = 8 POSITION	2 = 15u"	4 = 50u"
A = 10 POSITION		
NUMBER OF CONTACT	BLANK = PBT, TRAY PACKAGING, W/O MYLAR	
4 = 4 CONTACT	A = HIGH TEMP. MATERIAL, TRAY PACKAGING, W/O MYLAR	
6 = 6 CONTACT	H = HIGH TEMP. MATERIAL TAPE/REEL PACKAGING, WITH MYLAR	
8 = 8 CONTACT		
A = 10 CONTACT		
SHIELD OPTION	GOLD PLATING	
0 = NO SHIELD	1 = 6u"	3 = 30u"
1 = FULL SHIELD	2 = 15u"	4 = 50u"

UNLESS SPECIFIED OTHERWISE	DRAWN B.COPPING	JUN15/12	Amphenol Canada Corp. www.amphenolcanada.com	
PRIMARY UNITS MILLIMETERS	CHECKED		MODULAR JACK, POSITION & CONTACT OPTION, WITH SHIELD OPTION, KAPTON TAPE OPTION, WITH KEYING FEATURE-RoHS COMPLIANT	
SECONDARY INCHES	M.E. APP'D			
REFERENCE IN PARENTHESES	Q.A. APP'D		DWG NO. P-RJE74-1XX-XX11-X	
	DWG APP'D A.GREEN	JUN15/12	REF. REF.	
	ENG. REL. NO.		THIRD ANGLE PROJECTION	
	DO NOT SCALE DRAWING		CODE ID NO. 03554 DWG SIZE SCALE SHEET 1 OF 2	

REVISIONS			
REV	DESCRIPTION, ECN, EAR NO.	DATE	APP'D
A	PROPOSAL	JUN15/12	A.G
B	CORRECT GOLD PLATING SPEC	SEP29/12	L.CHAN



PACKAGING NOTES:

1. ONE REEL SHOULD HOLD 85 CONNECTORS.
2. 10 EMPTY CAVITIES FOR BOTH TOP AND BOTTOM OF THE CARRIER.
3. A FULLY LOADED CARTON SHOULD CONTAIN 5 REELS (425 PCS ) OF CONNECTOR.

UNLESS SPECIFIED OTHERWISE	DRAWN B.COPPING	JUN15/12	Amphenol Canada Corp. www.amphenolcanada.com	
PRIMARY UNITS MILLIMETERS	CHECKED		MODULAR JACK, POSITION & CONTACT OPTION, WITH SHIELD OPTION, KAPTON TAPE OPTION, WITH KEYING FEATURE--ROHS COMPLIANT	
SECONDARY INCHES	M.E. APP'D			
REFERENCE IN PARENTHESES	Q.A. APP'D			
	DWG APP'D A.GREEN	JUN15/12		
	ENG. REL. NO.		DWG NO.	P-RJE74-1XX-XX11-X
	REF.			REV B
	THIRD ANGLE PROJECTION		DO NOT SCALE DRAWING	
			CODE ID NO. 03554	DWG SIZE
			SCALE	SHEET 2 OF 2