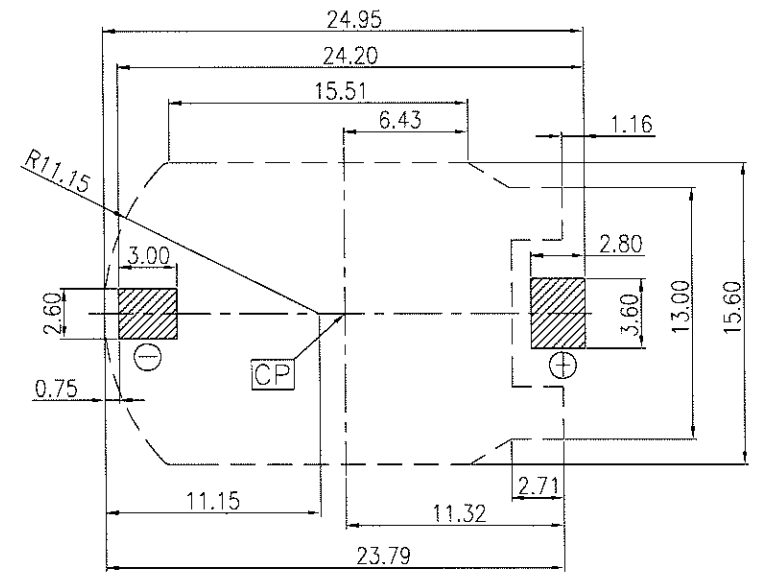
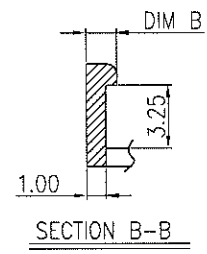
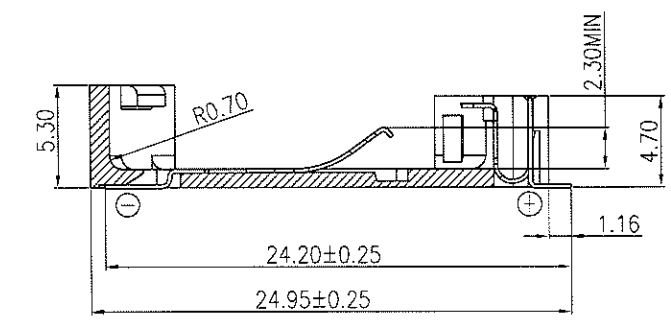
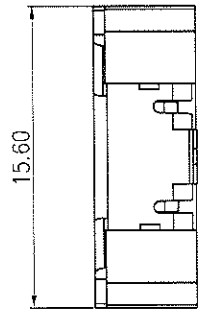
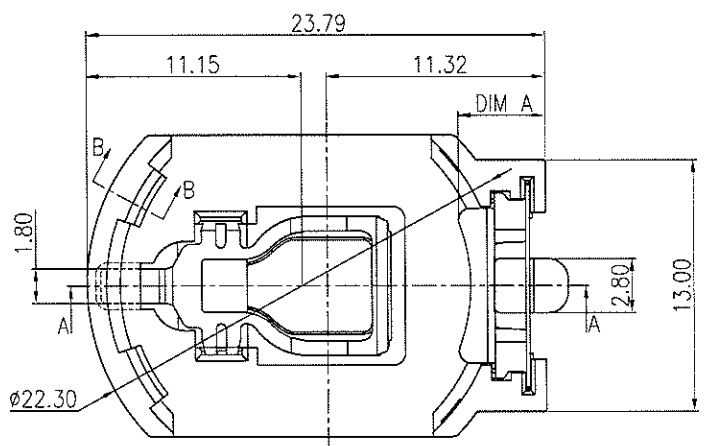


REV.	ECN NO./DESCRIPTION	DATE
7	N100290	06/16'11
8	N110337	07/07'11
8A	R110779	01/10'12



RECOMMENDED PCB LAYOUT (TOP VIEW)
(PCB THICKNESS:T=1.60mm)(TOLERANCE:±0.05)

- NOTES:
 1.DIMENSIONS ARE IN MILLIMETER
 2.MATERIAL SPECIFICATION
 1-1.HOUSING:SEE TABLE;UL94V-0.
 1-2.CONTACT:PHOSPHOR BRONZE(C5191).
 3.FINISH:AU1u" PLATED;NI50u" MIN. UNDERPLATING.
 4.ELECTRICAL PERFORMANCE
 LLCR:30mΩ MAX.
 INSULATION RESISTANCE:1000MΩ MIN.
 DIELECTRIC WITHSTANDING:1000V AC FOR 1MINUTE.
 5.IR REFLOW:THE PEAK TERMPERURE ON THE BOARD SHALL BE MAINTAINED 10SECONDS AT 260±5'C.
 6.RoHS OR HALOGEN FREE COMPLIANT.

2	CH7410-2032LF/TR	PPS+40%G.F; COFFEE(4975C)	4.16	1.60	TAPE&REEL	
1	CH7410-2032LF	RoHS	4.16	1.60	TRAY	
NO.	PART NO.	MATERIAL	DIM A	DIM B	PACKAGING SPEC.	
GENERAL TOLERANCES UNLESS SPECIFIED		PART NO.	COMFORTABLE			
X± 0.35	X°± 3°	SEE TABLE				
XX± 0.25	X°± 2°	APPROVED BY	TITLE			
XXX± 0.15	XX°± 1°	Jack_Fan	BATTERY HOLDER FOR CR2032			
CUSTOMER DRAWING		CHECKED BY	DWG NO.			
		Yusheng_Zhang	GAP-AAA-BAT-032			
SIZE	UNITS	DRAWN BY		SHEET	SCALE	REV
A4	MM[INCH]	TANGHUI		1 / 1	2:1	8A