

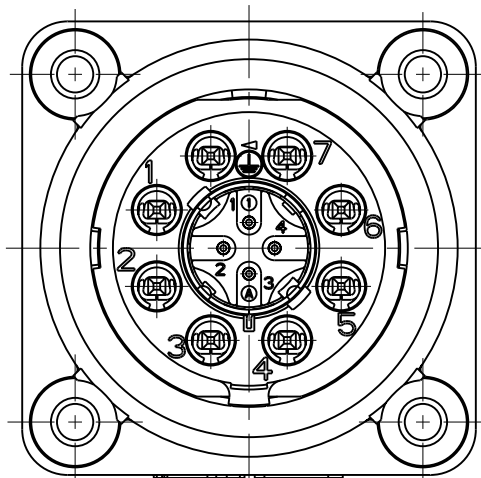
THIS DRAWING IS UNPUBLISHED.  
 VERTRAULICHE UNVERÖFFENTLICHTE ZEICHNUNG  
 © COPYRIGHT 2006 TYCO ELECTRONICS HTS

RELEASED FOR PUBLICATION  
 FREI FÜR VERÖFFENTLICHUNG  
 08.MAR. 2010  
 ALL RIGHTS RESERVED.  
 ALLE INTERNATIONALEN RECHTE VORBEHALTEN.

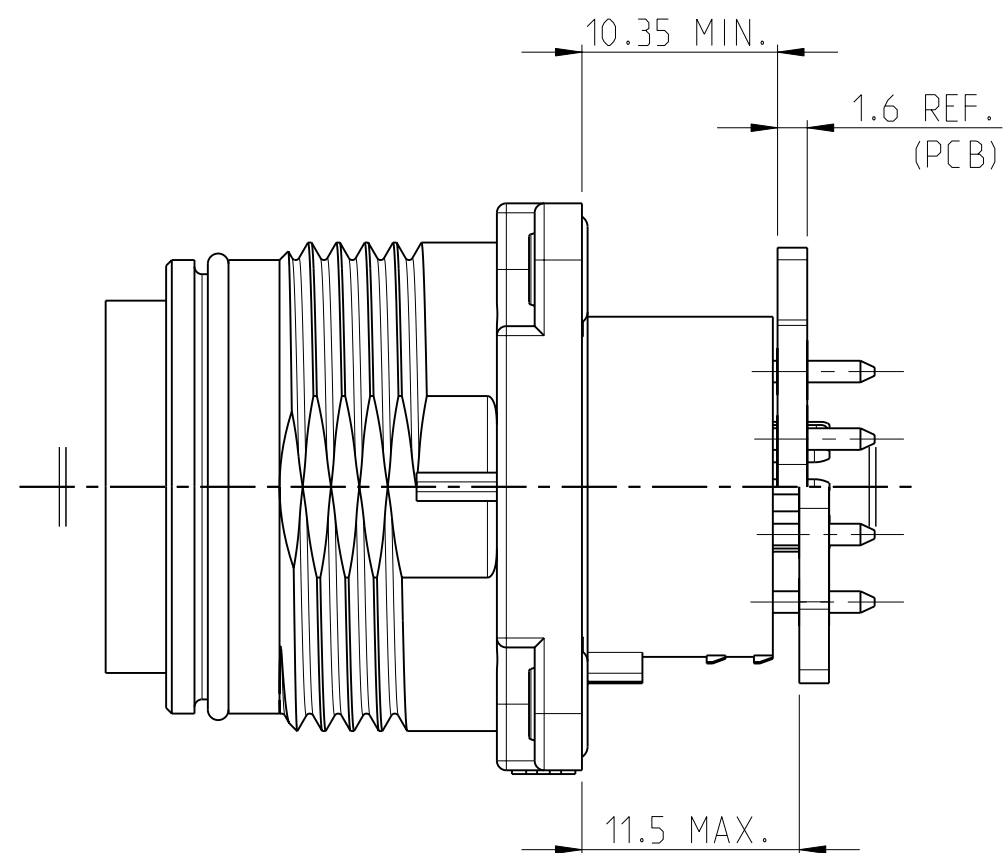
MATED WITH:  
 PASSEND ZU:

LOC	DIST	REVISIONS				
A1 -		ÄNDERUNGEN	DESCRIPTION	DATE	DWN	APVD
PROJEKT NR.:		P	LTR			
		A6	ECR-11-014745	20JUL2011	KHH	HEIN
		A7	ECR-11-017650	31AUG2011	SHE	HEIN
		A8	ECR-11-019448	21SEP2011	GW	OH

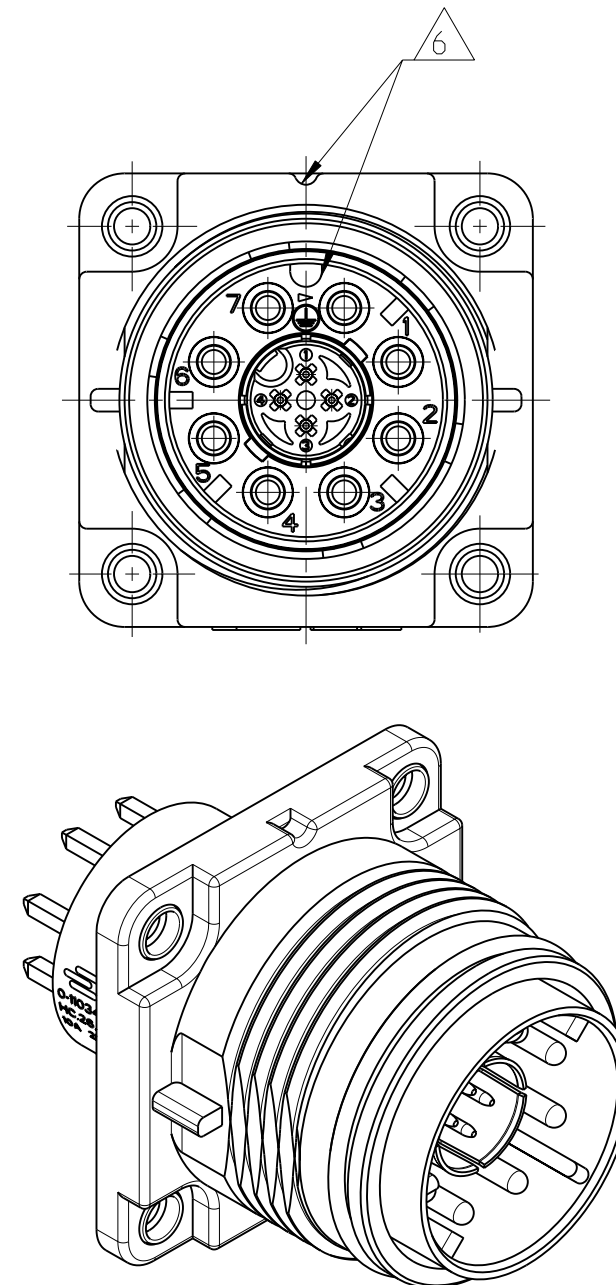
VIEW FROM BOTTOM



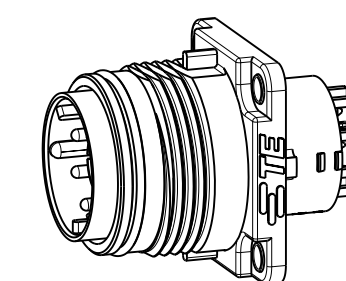
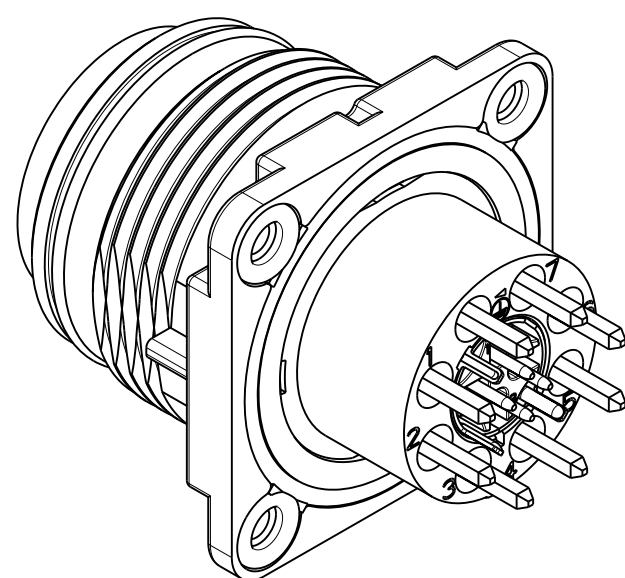
DISTANCE FROM PANEL TO PCB



VIEW FROM TOP

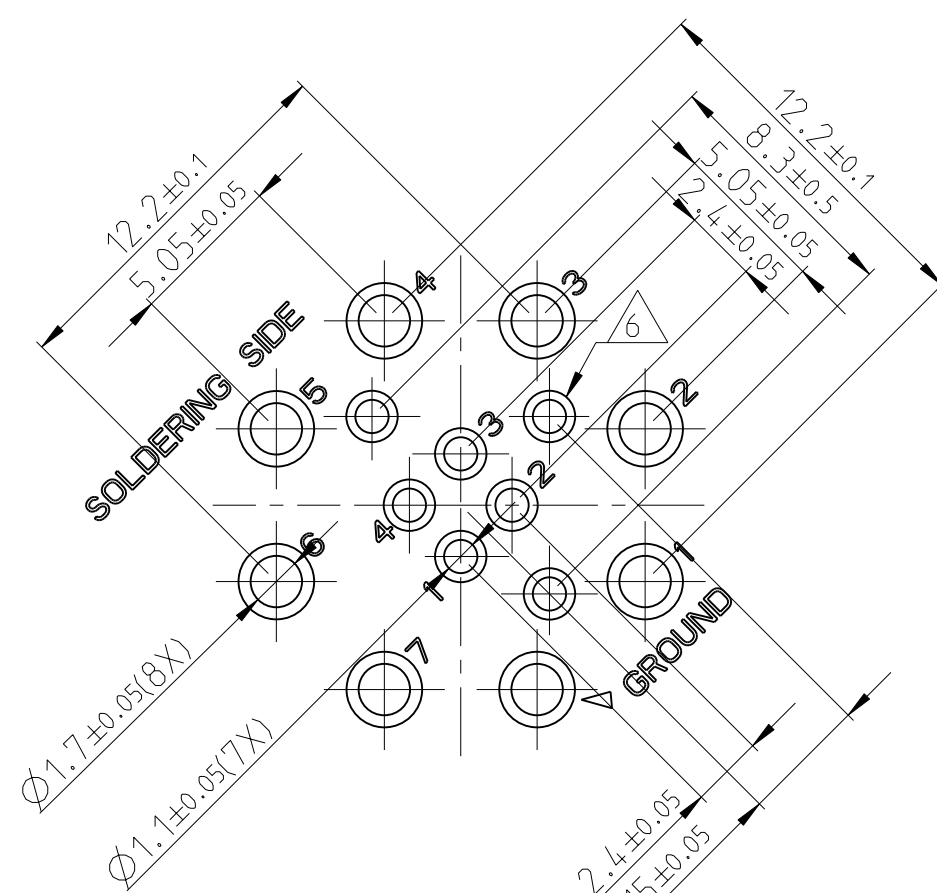


- Notes
- SIGNAL:  
SUITABLE CRIMP CONTACTS: SERIES 22 DF  
CUSTOMER DRAWING: 1658686
  - POWER:  
SUITABLE CRIMP CONTACTS: SERIES TYPE III+  
CUSTOMER DRAWING: 163087
  - SUITABLE HYBRID CABLE: SERIES HC26  
CUSTOMER DRAWING: 1103536
  - SUITABLE HOUSINGS: SERIES HC26  
CUSTOMER DRAWING: 1103437, 1103440
  - STANDARDS:  
DIN EN 61984, DIN EN 60664-1
  - ORIENTATION CONTOURS
  - AUTHORISATION; PENDING
  - PACKAGING:  
40 SETS IN A KIT, PRE-MOUNTED (ITEM 1 TO 3 ASSEMBLED AS ONE UNIT AND STICKED INTO ITEM 4 WITHOUT FIXING FUNCTION)

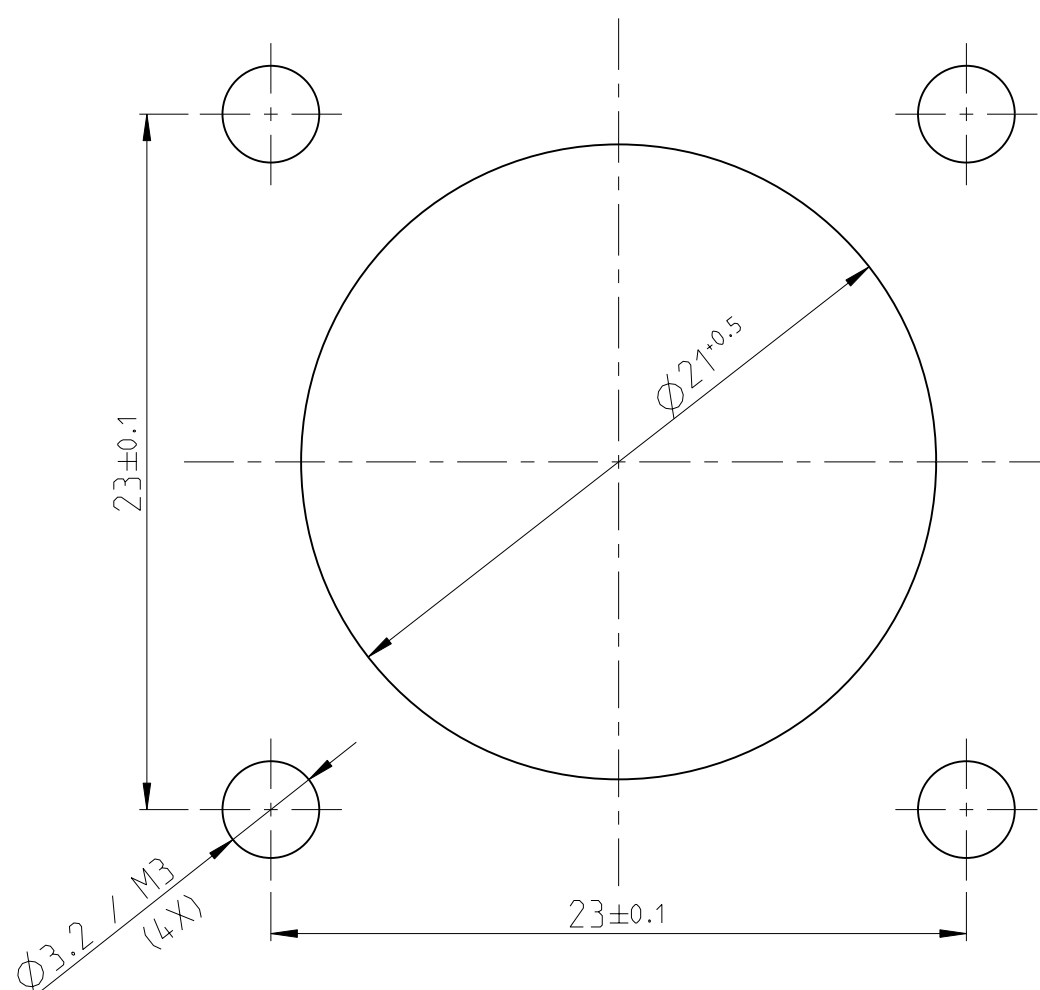


8 AS-DELIVERED CONDITION

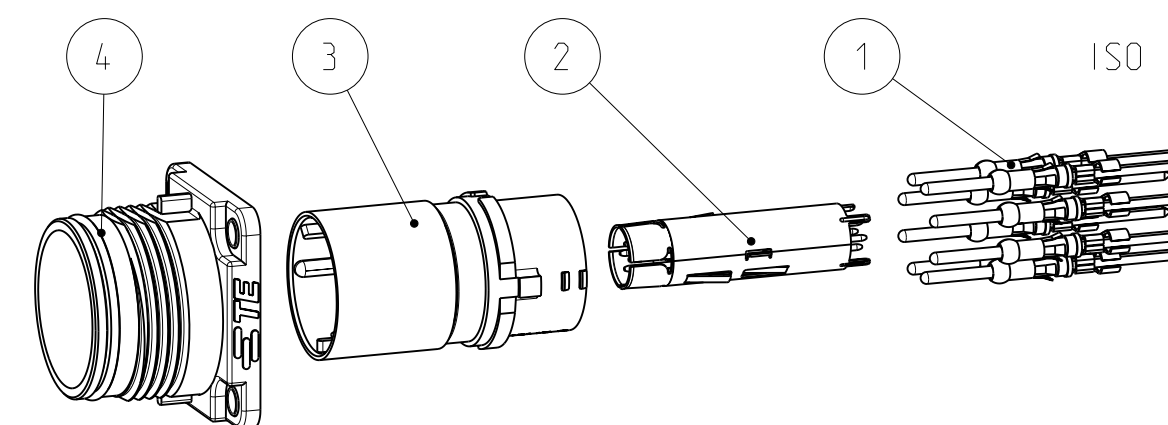
PCB LAYOUT



PANEL CUTOUT



PN 0-1 AS SHOWN



PN/QTY	PART-NO	DESCRIPTION	NOTE	ITEM
1	0-1103436-2	BULKHEAD HOUSING ASS'Y	SERIES HC26, DESIGN METAL	4
1	0-1103428-3	MALE INSERT ASS'Y	SERIES HC26, 8-POS., TYPE III+, PCB	3
1	0-1103430-3	MALE INSERT ASS'Y	SERIES HC26, 4-POS., PCB	2
8	1-66471-8	PIN CONTACT ASS'Y	CRIMPED, .062 DIA, .045x.045 POST	1

PARTS LIST (PER ONE UNIT)

TOLERANCING ISO 8015  
TOLERIERUNG ISO 8015

THIS DRAWING IS A CONTROLLED DOCUMENT.  
 DIESES ZEICHNUNGSDOKUMENT WIRD DURCH AMP INCORPORATED KONTROLLIERT.  
 ÄNDERUNGEN, DIE DEM TECHNISCHEN FORTSCHRITT DIENEN, SIND VORBEHALTEN.  
 DEN JEWELIGEN LETZTGÜLTIGEN ÄNDERUNGSSTAND ERFAHREN SIE AUF ANFRAGE.

DIMENSIONS: MASSE IN HEIßEN: (MM)

TOLERANCES UNLESS OTHERWISE SPECIFIED: ALLGEMEINTOLERANZEN

0 PLC ±  
 1 PLC ±  
 2 PLC ±  
 3 PLC ±  
 4 PLC ±

ANGLES/WINKEL °±0  
 FINISH/OBERFLÄCHE/FARBE

MATERIAL

DWN: O. HOLZMANN 08MAR2010  
 CHK: H. BRAUN 09MAR2010  
 APVD: T. SCHNURPFEL 09MAR2010

NAME: BULKHEAD HOUSING WITH SOLDER UNIT  
 SERIES HC26, 8+4-POS., DESIGN METAL  
 POWER 4 NET

SIZE: A2  
 CAGE CODE: 00779  
 DRAWING NO. ZEICHNUNGS-NR.: C=1108846

RESTRICTED TO NUR FÜR: -

CUSTOMER DRAWING / KUNDENZEICHNUNG  
 SCALE MASSSTAB: 2:1  
 SHEET BLATT: 1 OF VON 1  
 REV: A8