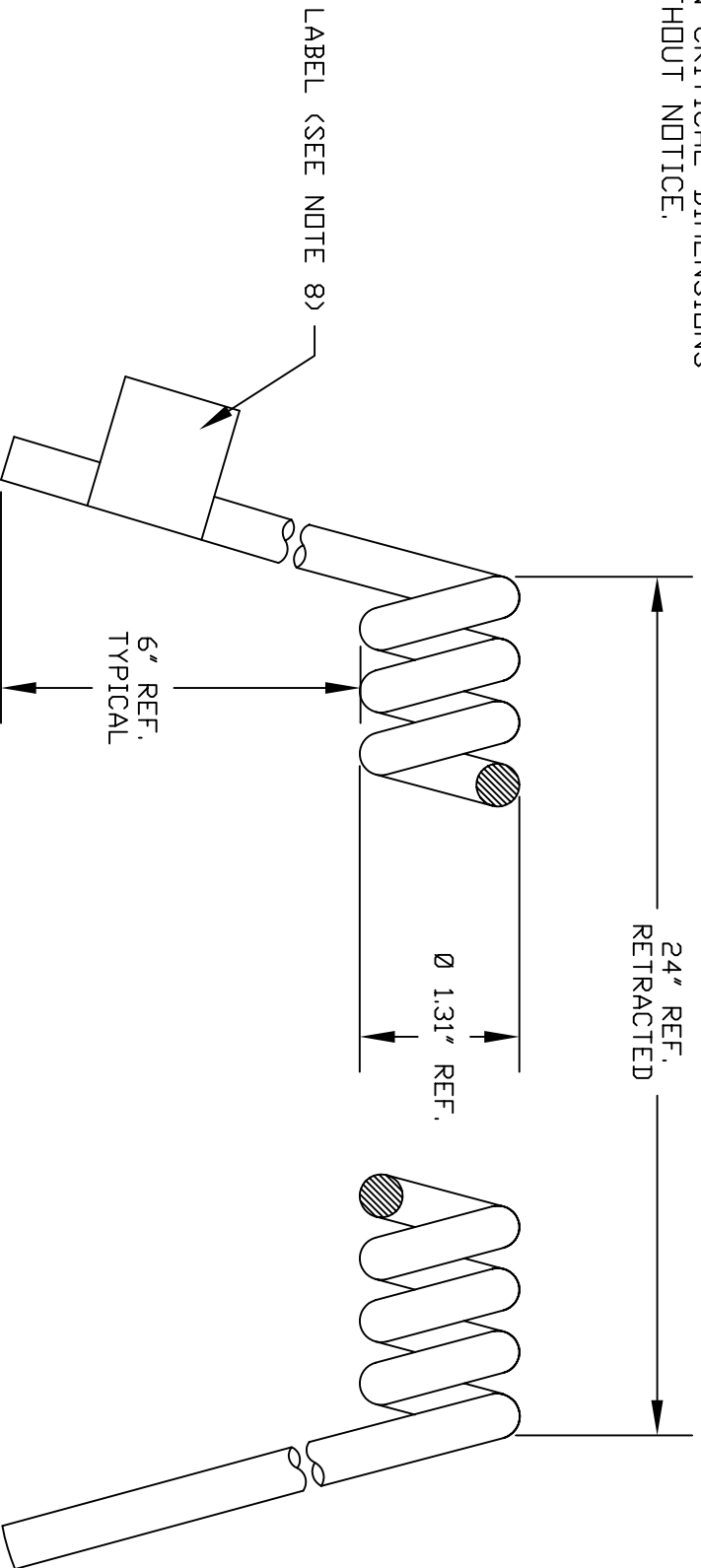



VOLEX RESERVES THE RIGHT TO ALTER NON-CRITICAL DIMENSIONS WITHOUT NOTICE.



NOTES

- 1) CORDAGE: 16/3 SJOW, 90°C, BLACK OUTER JACKET WHITE, AND GREEN.
- 2) INSULATED CONDUCTOR INSULATION COLORS WILL BE BLACK, WHITE, AND GREEN.
- 3) APPROVALS: CUL/CSA
- 4) FLAME RATING: FT2
- 5) CORDAGE O.D. : .385" REF.
- 6) 25 PCS/CARTON
- 7) ALL DIMENSIONS IN INCHES UNLESS OTHERWISE NOTED.
- 8) CORD SET LABEL WILL HAVE VOLEX LOGO AND PART NUMBER.

REV	DESCRIPTION	DATE
1	C.U.D - FIRST ISSUE	8/9/07
2	ADDED CORD LABEL	8/16/07
3	CHANGE CARTON QTY (WAS 30)	9/6/07
4	UPDATED CABLE DD	9/19/07

 FORM IN71-07 REV.A	<input checked="" type="checkbox"/> Indianapolis, IN <input type="checkbox"/> Conover, N.C. <input type="checkbox"/> Freemont, CA <input type="checkbox"/> Aguascalientes, MX <input type="checkbox"/> Tijuana, Mexico <input type="checkbox"/> Hermosillo, MX <input type="checkbox"/> Clinton, AR <input type="checkbox"/> Kanata, Canada		Proprietary Notice: This document is the property of Volex Incorporated. The information contained herein is not to be disclosed to anyone without the express written consent of Volex Inc.			
	MATERIAL: JACKET: RUBBER COLOR: BLACK	FINISH: JACKET: SMOOTH	SCALE: NDT TD SCALE ECD: N/A TOLERANCE UNLESS OTHERWISE SPECIFIED .XXX ± .005 .XX ± .02 .X ± .03 FRACT. ± 1/32° ANGULAR ± 1/2°	ITEM DESCRIPTION CORDSET - NORTH AMERICAN RETRACTILE (2')	APPROVED STC	DRAWN BY STC
PART NO. 6484						