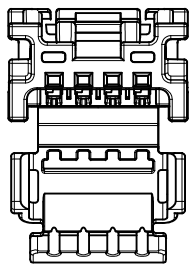
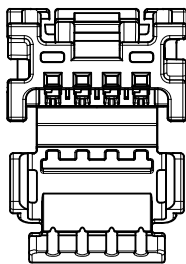


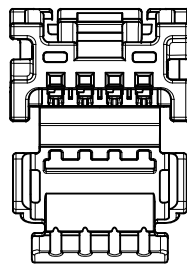
4 CIRCUIT RECEPTACLE
POLARIZATION OPTION A



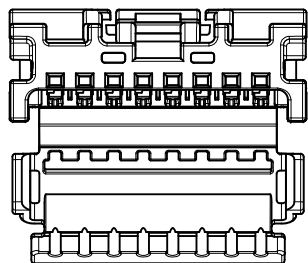
4 CIRCUIT RECEPTACLE
POLARIZATION OPTION B



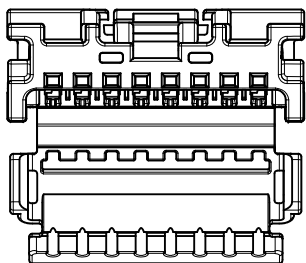
4 CIRCUIT RECEPTACLE
POLARIZATION OPTION C



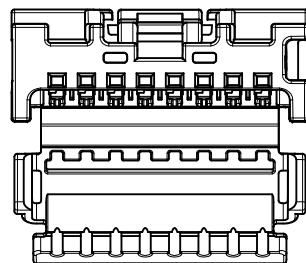
4 CIRCUIT RECEPTACLE
POLARIZATION OPTION D



8 CIRCUIT RECEPTACLE
POLARIZATION OPTION A



8 CIRCUIT RECEPTACLE
POLARIZATION OPTION B



8 CIRCUIT RECEPTACLE
POLARIZATION OPTION C

NOTES: VALID UNLESS OTHERWISE SPECIFIED

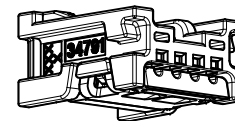
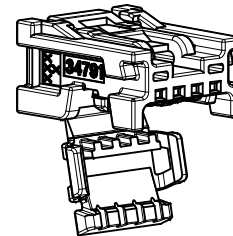
1. GENERAL:
 - a. APPLICATION SPECIFICATION SEE: AS-34791-020
 - b. PRODUCT SPECIFICATION SEE: PS-34971-020
 - c. PACKAGING SPECIFICATION PER MOLEX DRAWING: PK-31301-538
 - d. PARTS MUST BE IN COMPLIANCE TO MOLEX CHEMICAL SUBSTANCES FOR PRODUCTS AND PACKAGING SPECIFICATION: PS-40000-5015
 - e. DATA MUST BE SUBMITTED UNDER THE MOLEX PART NUMBER TO IMDS (COMPANY ID#13255)
 - f. FLAMMABILITY REQUIREMENT: PER ISO3795 OR GM3191
 1. BURN RATE 100 mm/MIN MAXIMUM
 2. MATERIAL MUST BE SELF EXTINGUISHING
 - g. VISUAL DEFECTS SHALL MEET COSMETIC STANDARD PS-45499-002 (Class B)
 - h. FOR TERMINAL USAGE, REFER TO MOLEX SALES DRAWING SD-560023-002.
2. DESIGN - MATERIALS:
 - a. MATERIAL: UNFILLED PBT
3. DESIGN - GEOMETRY:
 - a. THIS IS A 100% CAD GENERATED PART. THE CAD MATHEMATICAL DATA IS THE MASTER FOR THIS PART. FOR DIMENSIONAL OR ANY INFORMATION NOT SHOWN ON THIS DRAWING, ANALYZE THE CAD MODEL.
 - b. GEOMETRIC DIMENSIONS AND TOLERANCES PER ASME Y14.5M - 1994
 - c. GENERAL TOLERANCES:
 - LINEAR: PER DIN 16901 CODE B FOR PRECISION ENGINEERING
 - ANGULAR: ±3°
 - d. EDGES AND UNDIMENSIONED DETAILS PER ISO13715
 - e. CORNERS SHOWN AS SHARP TO BE R 0.2 MAX
 - f. LETTERING SHALL BE 0.1 MAX RAISED IN 0.15 MAX RECESS PAD AND NOT PROTRUDE THE SURFACE. THIS INCLUDES RECYCLING CODE, PLANT AND CAVITY ID, VENDOR ID, CIRCUIT ID, AND PART SERIES NUMBER.

HINGE OPEN

HINGE CLOSED

4 CIRCUIT RECEPTACLE SHOWN
(AS SHIPPED)

4 CIRCUIT RECEPTACLE SHOWN
(AS ASSEMBLED)



MINI50 RECEPTACLE ASSEMBLIES

TOOLED	MATERIAL NUMBER BULK PACKAGING PK-31301-538	CIRCUIT	POL	COLOR	MATING HEADER			
					VERTICAL	TOOLED	RIGHT ANGLE	TOOLED
YES	34791-0040	4	A	BLACK	34792-0040	YES	34793-0040	YES
YES	34791-0041	4	B	GRAY	34792-0041	YES	34793-0041	YES
YES	34791-0042	4	C	BROWN	34792-0042	YES	34793-0042	YES
YES	34791-0043	4	D	GREEN	34792-0043	YES	34793-0043	YES
YES	34791-0080	8	A	BLACK	34792-0080	YES	34793-0080	YES
YES	34791-0081	8	B	GRAY	34792-0081	YES	34793-0081	YES
NOT TOOLED	34791-0082	8	C	BROWN	34792-0082	NOT TOOLED	34793-0082	NOT TOOLED

LAST BALLOON ON DRAWING:

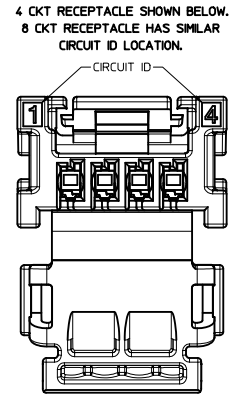
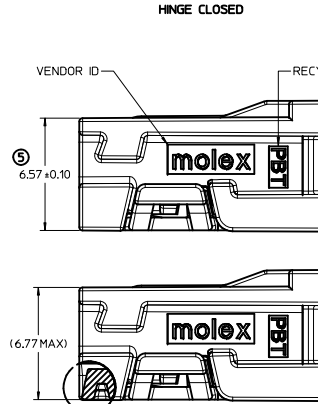
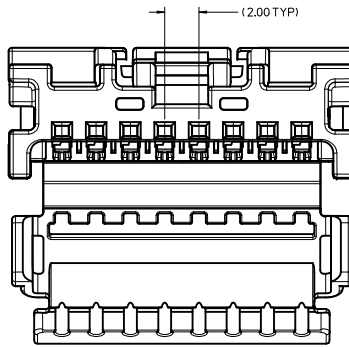
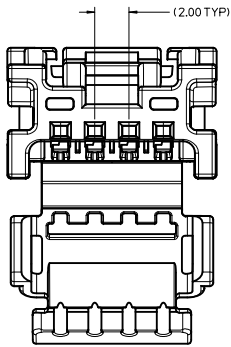
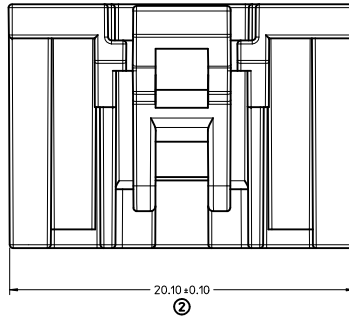
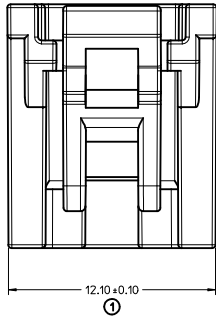
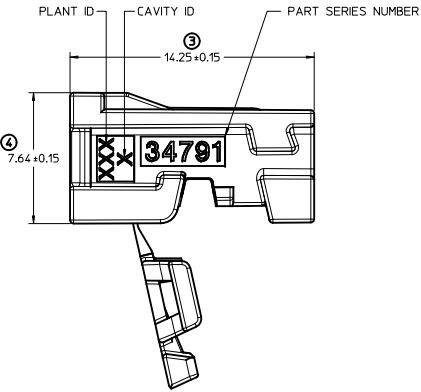


DELETED BALLOONS:

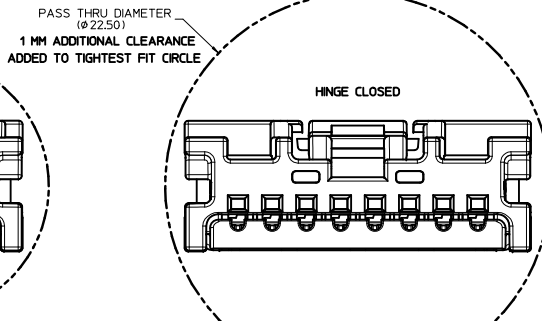
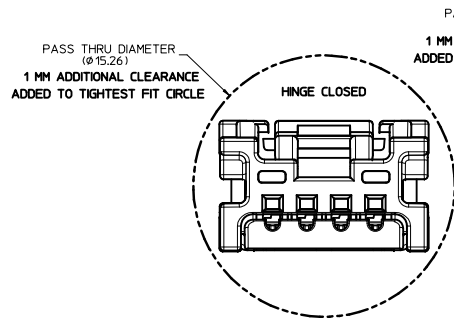
CTX50 UNSEALED RECEPTACLE TERMINALS

PART NUMBER		MATERIAL	WIRE GAGE (mm ²)	GRIP
D-WIND (LEFT PAYOFF)	B-WIND (RIGHT PAYOFF)			
560023-0421	560023-0423	COPPER ALLOY	0.22 - 0.35	MEDIUM
560023-0422	560023-0424	COPPER ALLOY	0.08 - 0.13	SMALL

REVISED POLS IEC NO. UAU2012-0550 DRAWN: TMACHUGA 2010/10/27 CHYK: APPR: SMARCEAU 2011/11/21 DESCRIPTION	QUALITY SYMBOLS	GENERAL TOLERANCES (UNLESS SPECIFIED)	DIMENSION STYLE	SCALE	DESIGN UNITS	THIRD ANGLE PROJECTION	
	▽=0	mm INCH	MM ONLY	6:1	METRIC	☉	
	▽=0	4 PLACES +--- +---					
	▽=0	3 PLACES +--- +---					
		ANGULAR ±----					
		DRAFT WHERE APPLICABLE MUST REMAIN WITHIN DIMENSIONS					
			DRAWN BY	DATE	TITLE		
			JDUNAJ	2010/06/24	MINI50 SINGLE ROW RECEPTACLE ASSEMBLY SALES DRAWING		
			CHECKED BY	DATE			
			BDICK	2010/06/24			
			APPROVED BY	DATE			
			SMARCEAU	2011/11/21			
			MATERIAL NO.	DOCUMENT NO.			
			SEE TABLE	SD-34791-001			
			THIS DRAWING CONTAINS INFORMATION THAT IS PROPRIETARY TO MOLEX INCORPORATED AND SHOULD NOT BE USED WITHOUT WRITTEN PERMISSION				
			SIZE			SHEET NO.	
			D			1 OF 2	



CUTAWAY SHOWING LOWEST POINT ASSEMBLED HINGE



REVISED POLS EC NO. UAU2012-0550 DRAWN: TMACHUGA 2010/00/27 CHYK: APPR: SMARCEAU 2011/11/21	QUALITY SYMBOLS	GENERAL TOLERANCES (UNLESS SPECIFIED)	DIMENSION STYLE	SCALE	DESIGN UNITS	THIRD ANGLE PROJECTION
	▽=0	mm INCH	MM ONLY	7:1	METRIC	☉
	▽=0	4 PLACES +--- +--- 3 PLACES +--- +--- 2 PLACES +--- +--- 1 PLACE +--- +---	DRAWN BY DATE JDUNAJ 2010/06/24	CHECKED BY DATE BDICK 2010/06/24	TITLE MINI50 SINGLE ROW RECEPTACLE ASSEMBLY SALES DRAWING	
	▽=0	ANGULAR ±----	APPROVED BY DATE SMARCEAU 2011/11/21	MATERIAL NO. SEE TABLE	DOCUMENT NO. SD-34791-001	SHEET NO. 2 OF 2
DRAFT WHERE APPLICABLE MUST REMAIN WITHIN DIMENSIONS		THIS DRAWING CONTAINS INFORMATION THAT IS PROPRIETARY TO MOLEX INCORPORATED AND SHOULD NOT BE USED WITHOUT WRITTEN PERMISSION				