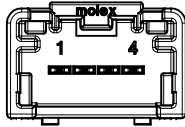
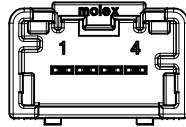


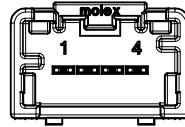
4 CIRCUIT VERTICAL HEADER
POLARIZATION OPTION A



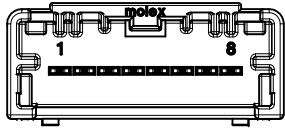
4 CIRCUIT VERTICAL HEADER
POLARIZATION OPTION B



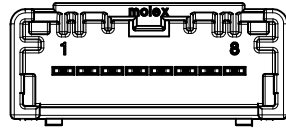
4 CIRCUIT VERTICAL HEADER
POLARIZATION OPTION C



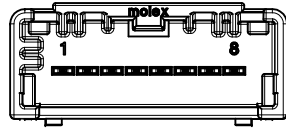
4 CIRCUIT VERTICAL HEADER
POLARIZATION OPTION D



8 CIRCUIT VERTICAL HEADER
POLARIZATION OPTION A



8 CIRCUIT VERTICAL HEADER
POLARIZATION OPTION B



8 CIRCUIT VERTICAL HEADER
POLARIZATION OPTION C

MINISO VERTICAL HEADER ASSEMBLIES

| MATERIAL NUMBER | | CIRCUIT | POL | COLOR | BLADE PLATING | MATING COMPONENT | TOOLED |
|--------------------------------|--------------------------------|---------|-----|-------|-----------------|------------------|------------|
| TUBE PACKAGING PK-31301-688 | TRAY PACKAGING PK-31301-440 | | | | | | |
| 34792-9040 | 34792-0040 | 4 | A | BLACK | TIN OVER NICKEL | 34791-0040 | YES |
| 34792-9041 | 34792-0041 | 4 | B | GRAY | TIN OVER NICKEL | 34791-0041 | YES |
| 34792-9042 | 34792-0042 | 4 | C | BROWN | TIN OVER NICKEL | 34791-0042 | YES |
| 34792-9043 | 34792-0043 | 4 | D | GREEN | TIN OVER NICKEL | 34791-0043 | YES |
| 34792-9080 | 34792-0080 | 8 | A | BLACK | TIN OVER NICKEL | 34791-0080 | YES |
| 34792-9081 | 34792-0081 | 8 | B | GRAY | TIN OVER NICKEL | 34791-0081 | YES |
| 34792-9082 | 34792-0082 | 8 | C | BROWN | TIN OVER NICKEL | 34791-0082 | NOT TOOLED |

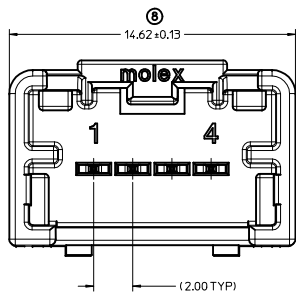
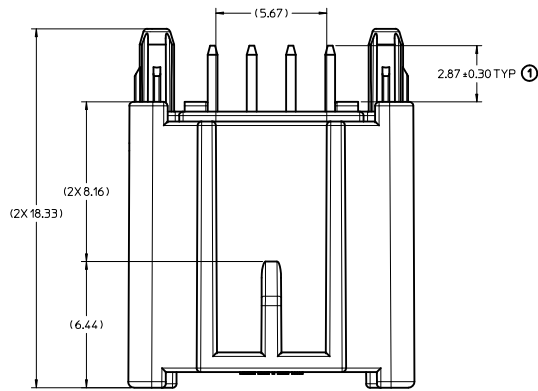
NOTES: VALID UNLESS OTHERWISE SPECIFIED

- GENERAL:
 - a. APPLICATION SPECIFICATION SEE: AS-34791-020
 - b. PRODUCT SPECIFICATION SEE: PS-34791-020
 - c. PACKAGING SPECIFICATION PER MOLEX DRAWING: PK-31301-440, PK-31301-688
 - d. SOLDERABILITY PER SMES-152
 - e. PARTS MUST BE IN COMPLIANCE TO MOLEX CHEMICAL SUBSTANCES FOR PRODUCTS AND PACKAGING SPECIFICATION: QEHS-699000-300
 - f. DATA MUST BE SUBMITTED UNDER THE MOLEX PART NUMBER TO IMDS (COMPANY ID#13255)
 - g. FLAMMABILITY REQUIREMENT: PER ISO3795 OR GM3191
 - h. VISUAL DEFECTS SHALL MEET COSMETIC STANDARD PS-45499-002 (Class B)
- DESIGN - MATERIALS:
 - a. SHROUD (PLASTIC HOUSING): SPS 30% GF, 20% REGRIND MAX PER WEIGHT
 - b. BLADES:
 - BASE METAL: C260 BRASS
 - PLATING REQUIREMENTS:
 - TIN OVER NICKEL:
 - UNDERPLATING:
 - OVERALL NICKEL
 - OVERPLATING:
 - OVERALL TIN
- DESIGN - GEOMETRY:
 - a. THIS IS A 100% CAD GENERATED PART. THE CAD MATHEMATICAL DATA IS THE MASTER FOR THIS PART. FOR DIMENSIONAL OR ANY INFORMATION NOT SHOWN ON THIS DRAWING, ANALYZE THE CAD MODEL.
 - b. GEOMETRIC DIMENSIONS AND TOLERANCES PER ASME Y14.5M - 1994
 - c. GENERAL TOLERANCES:
 - LINEAR: SEE TITLE BLOCK
 - ANGULAR: +3°
 - d. EDGES AND UNDIMENSIONED DETAILS PER ISO13715
 - e. CORNERS SHOWN AS SHARP TO BE R 0.1 MAX
 - f. LETTERING SHALL BE 0.10 MAX RAISED. THIS INCLUDES RECYCLING CODE, PLANT AND CAVITY ID, VENDOR ID, AND CIRCUIT ID.

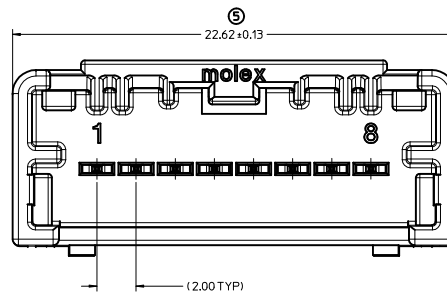
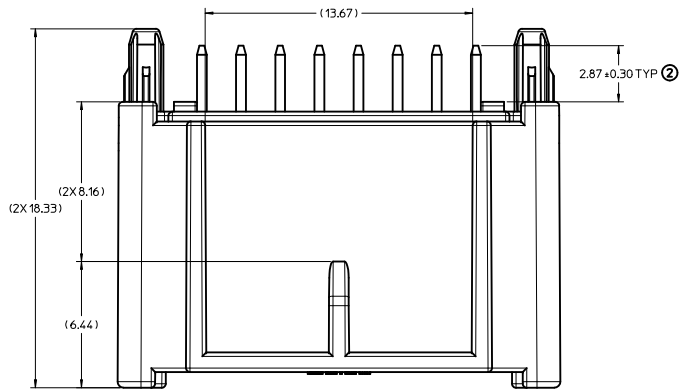
LAST BALLOON ON DRAWING:
②
DELETED BALLOONS:
④

| | | | | | | |
|--|-----------------|---|--|-------|--------------|--|
| REVISED 8CKT POL C EC NO. UAU2012-0550 DRAWN: TMACHUGA 2011/11/17 CHKD: APPR: SMARCEAU 2011/11/21 REV | QUALITY SYMBOLS | GENERAL TOLERANCES (UNLESS SPECIFIED) | DIMENSION STYLE | SCALE | DESIGN UNITS | THIRD ANGLE PROJECTION |
| | ▽=0 | mm | MM ONLY | 5:1 | METRIC | ☉ |
| | ▽=0 | INCH | | | | |
| | ▽=0 | | | | | |
| | | 4 PLACES ± --- 3 PLACES ± --- 2 PLACES ± 0.1 1 PLACE ± 0.2 ANGULAR ± ---° | DRAWN BY: JDUNAJ DATE: 2010/06/24 CHECKED BY: BDLCK DATE: 2010/06/24 APPROVED BY: SMARCEAU DATE: 2011/11/21 | | | TITLE: MINISO SINGLE ROW VERTICAL ASSEMBLY SALES DRAWING MOLEX INCORPORATED MATERIAL NO. SD-34792-001 DOCUMENT NO. 1 OF 2 |
| | | DRAFT WHERE APPLICABLE MUST REMAIN WITHIN DIMENSIONS | SEE TABLE | | | THIS DRAWING CONTAINS INFORMATION THAT IS PROPRIETARY TO MOLEX INCORPORATED AND SHOULD NOT BE USED WITHOUT WRITTEN PERMISSION |

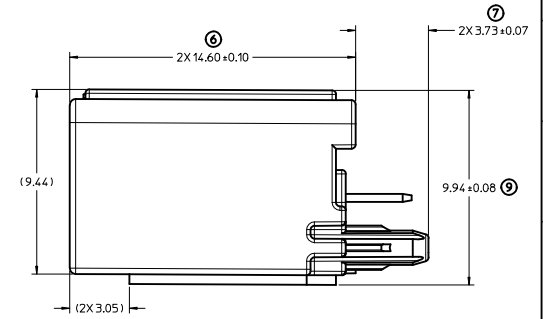
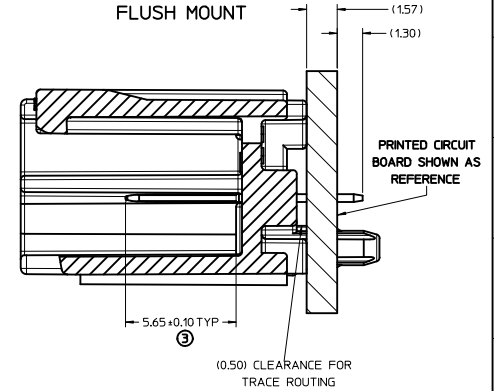
4 CKT VERTICAL HEADER



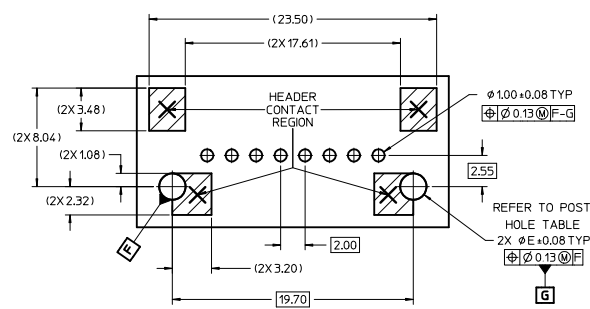
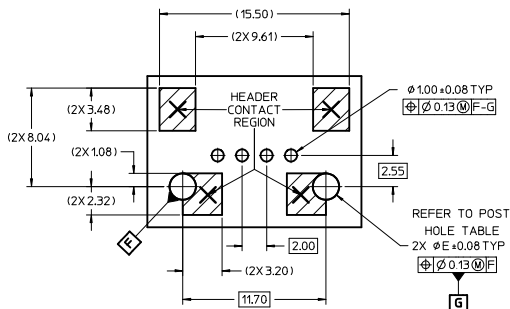
8 CKT VERTICAL HEADER



HEADER TO PCB FLUSH MOUNT



PCB LAYOUT CONNECTOR MATE SIDE



POST HOLE TABLE

| | DIM 'E' |
|-----------|---------|
| PRESS FIT | 2.15 |
| DROP IN | 2.55 |

| | | | | | | |
|---|-----------------|---------------------------------------|-----------------------------------|---------------------|---|---|
| REVISED 8CKT POL C EIC NO: UAU2012-0550 DRAWN: TMACHUGA 2011/11/11 CHKD: APPR: SMARCEAU 2011/11/21 | QUALITY SYMBOLS | GENERAL TOLERANCES (UNLESS SPECIFIED) | DIMENSION STYLE MM ONLY | SCALE 8:1 | DESIGN UNITS METRIC | THIRD ANGLE PROJECTION |
| | ▽=0 | mm INCH | DRAWN BY JDUNAJ | DATE 2010/06/24 | TITLE MINI50 SINGLE ROW VERTICAL ASSEMBLY SALES DRAWING | MOLEX INCORPORATED |
| | ▽=0 | 4 PLACES ± --- ± --- | CHECKED BY BDICK | DATE 2010/06/24 | MATERIAL NO. SEE TABLE | |
| | ▽=0 | 3 PLACES ± --- ± --- | APPROVED BY SMARCEAU | DATE 2011/11/21 | SHEET NO. 2 OF 2 | THIS DRAWING CONTAINS INFORMATION THAT IS PROPRIETARY TO MOLEX INCORPORATED AND SHOULD NOT BE USED WITHOUT WRITTEN PERMISSION |