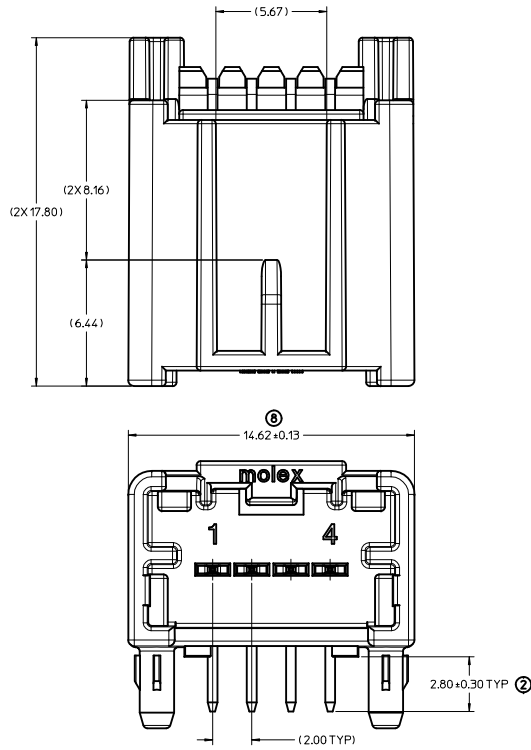
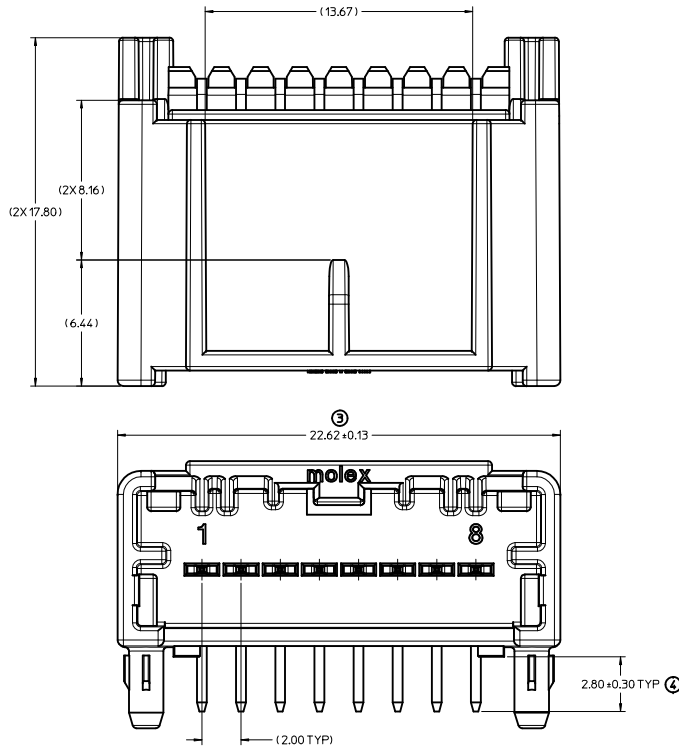




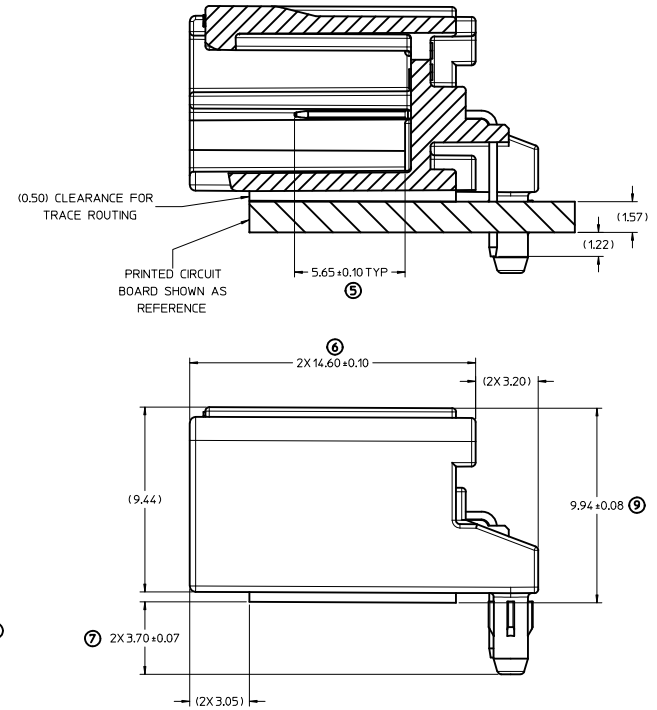
### 4 CKT RIGHT ANGLE HEADER



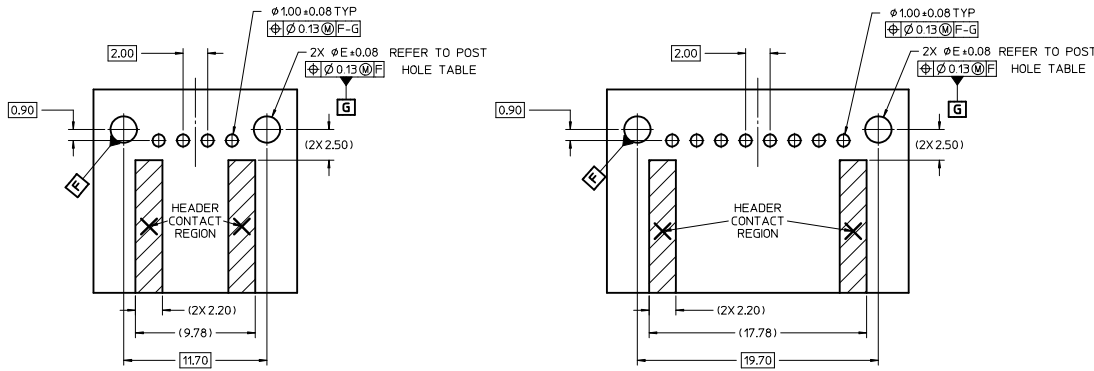
### 8 CKT RIGHT ANGLE HEADER



### HEADER TO PCB FLUSH MOUNT



### PCB LAYOUT CONNECTOR MATE SIDE



### POST HOLE TABLE

	DIM 'E'
PRESS FIT	2.15
DROP IN	2.55

<b>REVISED 8CKT POL C</b> EC NO: UAU2012-0550 DRAWN: TMACHUGA CHKD: APPR: SMARCEAU DATE: 2011/11/21	QUALITY SYMBOLS	GENERAL TOLERANCES (UNLESS SPECIFIED)	DIMENSION STYLE	SCALE	DESIGN UNITS	THIRD ANGLE PROJECTION
	∇=0 ∇=0 ∇=0	mm INCH 4 PLACES ± --- ± --- 3 PLACES ± --- ± --- 2 PLACES ± 0.10 ± --- 1 PLACE ± 0.20 ± --- ANGULAR ± ---°	MM ONLY	8:1	METRIC	MINISO SINGLE ROW RIGHT ANGLE ASSEMBLY SALES DRAWING
	DRAWN BY: JDUNAJ CHECKED BY: BDICK APPROVED BY: SMARCEAU DATE: 2010/06/21 DATE: 2010/06/21 DATE: 2011/11/21	MATERIAL NO: SEE TABLE	DOCUMENT NO: SD-34793-001	MOLEX INCORPORATED		
	SIZE: D	THIS DRAWING CONTAINS INFORMATION THAT IS PROPRIETARY TO MOLEX INCORPORATED AND SHOULD NOT BE USED WITHOUT WRITTEN PERMISSION				