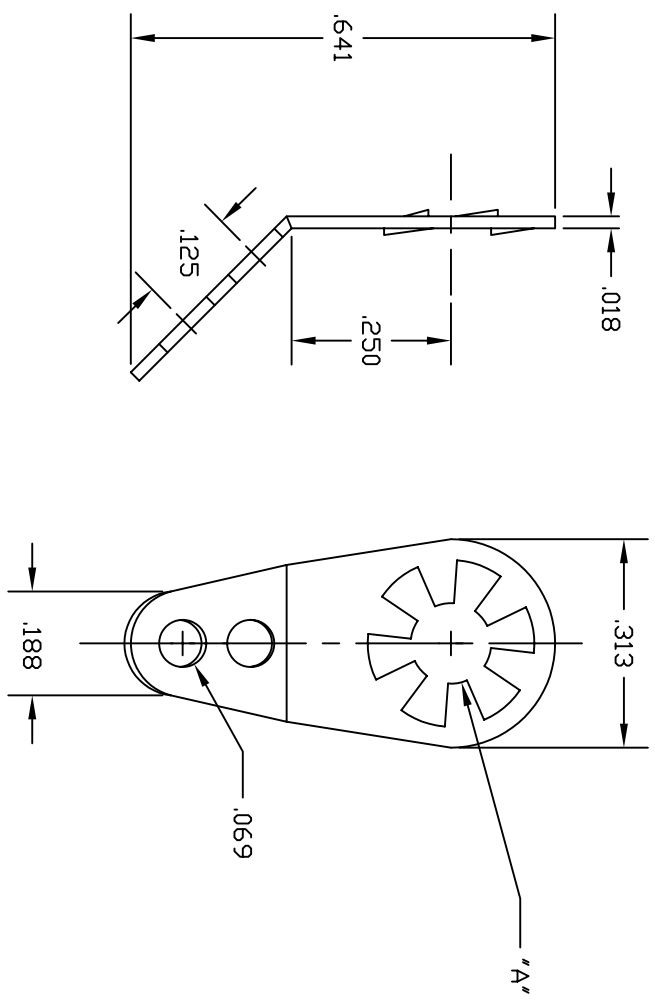


REVISIONS		REVISED BY	DATE	APPR
SYM	DESCRIPTION			



PART NO.	QUANTITY	"A" DIM.
1416-04	4	.120
1416-06	6	.144
1416-08	8	.169

MATERIAL BRASS 260 1/2 HARD		FINISH	ELECTRO TIN
DIMENSIONAL TOLERANCES UNLESS OTHERWISE SPECIFIED		TITLE	
.XX	.XXX	1416-04, -06, -08	
---	----	SOLDER	
FRACTIONS	ANGLES	SCALE	LUG
---	---	5X	
HEAT TREAT	---	DRAWN: T. LORD	DATE: 7/17/09
PLOT SCALE: 1=1	---	CHECKED: T. LORD	DATE: 7/17/09
	---	APPROVED: T. LORD	DATE: 7/17/09
<b>ABBATRON</b> Electronic Connectors and Hardware 13680 S. MOSIERTOWN RD MEADVILLE, PA 16335		SIZE	DRAWING NUMBER
		B	SD: 1413-0X
		ISSUE	---