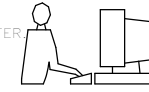
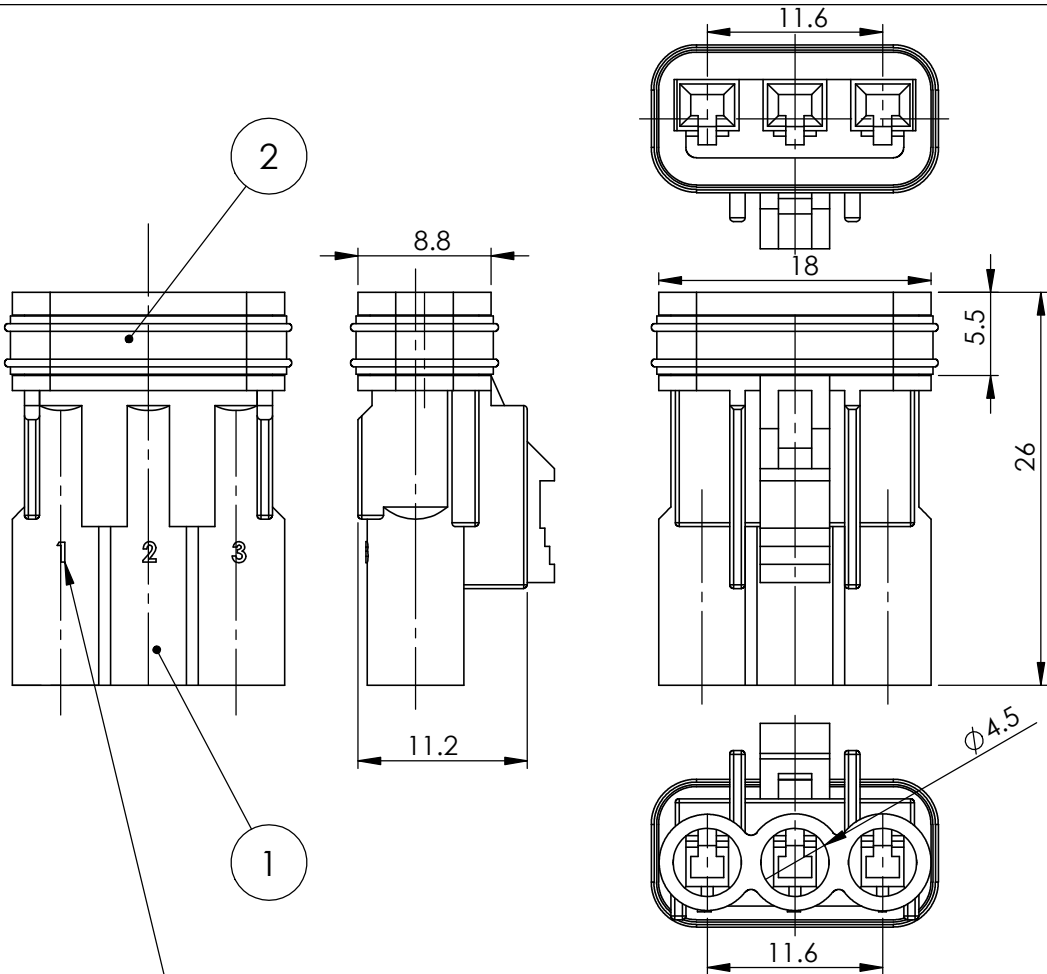


THIS IS A C.A.D. GENERATED DRAWING  
DO NOT MAKE MANUAL REVISIONS TO MASTER



ISSUE NUMBER

ORIGINAL



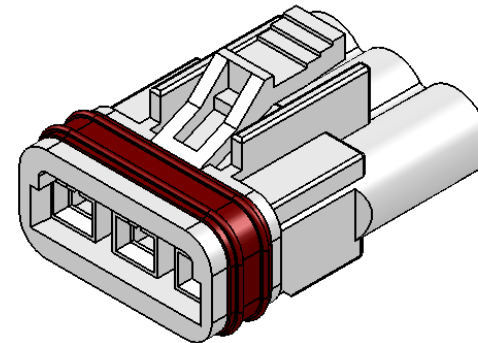
POS.NO.

**MATERIALS:**

1. HOUSING: PBT, UL94V-0
2. WIRE-HOUSING SEAL: SILICON RUBBER

**SPECIFICATIONS**

1. PITCH: 5.8MM
2. RATED VOLTAGE: 300V
3. RATED CURRENT: 10A MAX
4. WITHSTAND VOLTAGE: AC 1700V R.M.S.
5. CONTACT RESISTANCE: 10 mOHMS MAX
6. INSULATION RESISTANCE:  
1000 MOHMS MIN/DC 500V
7. TEMPERATURE RANGE: -40°C ~ +105°C
8. WATERPROOF GRADE: TESTED AND  
CERTIFIED TO IP67



ITEM NO.	DESCRIPTION	QTY.
1	570-003-000-200_Housing	1
2	570-003-000-200_Rubber	1

Waterproof Connector, Receptacle  
570-003-000-200

ACAD REFERENCE NO. 570-003-000-200

DRAWN: R.STA.MONICA DATE: OCT.15/10

CHECKED: DATE:

SCALE: NOT TO SCALE SHEET 1 OF 1

DRAWING NUMBER ISSUE

570-003-000-200

1



THIS SERIES FULLY CONFORMS TO THE  
EUROPEAN UNION DIRECTIVES 2002/95/EC  
AND 2002/96/EC FOR RoHS COMPLIANCY



EDAC INC  
TORONTO, ONTARIO  
CANADA  
YOUR CONNECTION TO QUALITY & SERVICE

THESE DRAWINGS AND SPECIFICATIONS  
ARE THE PROPERTY OF EDAC INC. AND  
SHALL NOT BE REPRODUCED, OR COPIED  
OR USED AS THE BASIS FOR THE  
MANUFACTURE OR SALE OF APPARATUS  
WITHOUT WRITTEN PERMISSION.