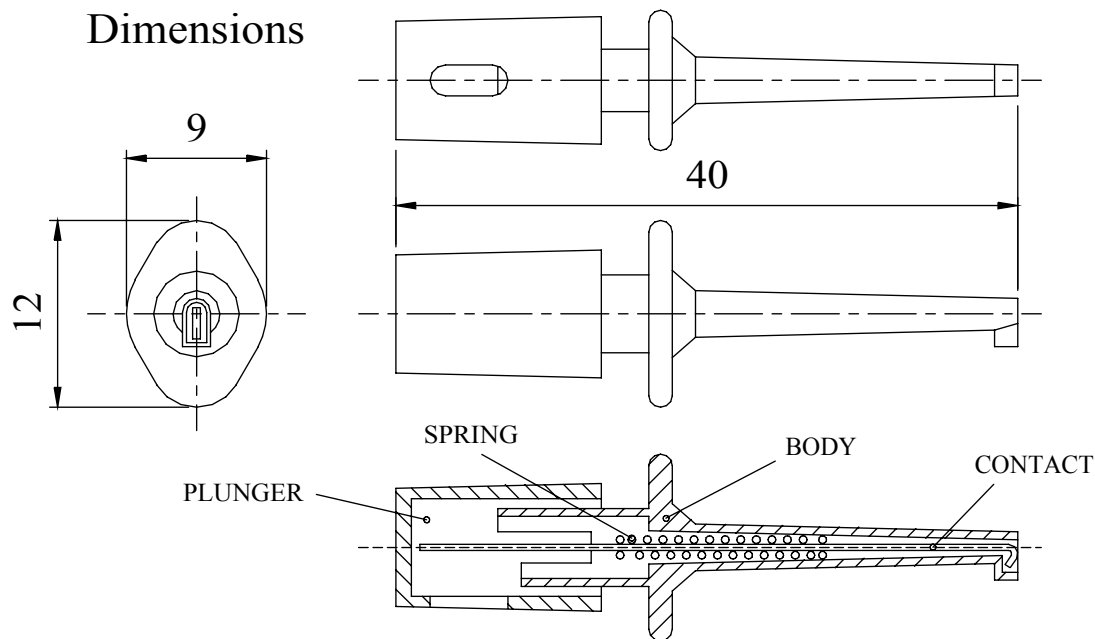


A miniature, spring loaded, plunger action probe, ideally suited for making contact to component leads on high density PCBs including integrated circuit pins etc. Gold flash contact hook and solder connections.  
 Available in a range of colours for identification in multiple probing applications.  
 Suitable for miniature stranded cables.

MATERIAL  
 PLUNGER : Noryl  
                   coloured  
 BODY : Noryl  
           coloured  
 SPRING : Spring Steel  
 CONTACT : Brass  
           Gold flash  
 RATED VOLTAGE : 50V

### Dimensions



COLOUR	ORDER CODE
BLACK	575-0101
BLUE	575-0201
GREEN	575-0401
RED	575-0501
YELLOW	575-0701

Tel No. +44(0)1724 273200 Website www.dem-uk.com



PROPRIETARY AND CONFIDENTIAL  
 THE INFORMATION CONTAINED IN THIS DRAWING IS THE SOLE PROPERTY OF  
 ALPHA 3 MANUFACTURING.  
 ANY REPRODUCTION IN PART OR AS A WHOLE WITHOUT THE WRITTEN PERMISSION OF  
 ALPHA 3 MANUFACTURING IS PROHIBITED.



UNLESS OTHERWISE SPECIFIED:  
 DIMENSIONS ARE IN MILLIMETRES  
 LINEAR TOLERANCE:  
**NO DECIMAL PLACES ±0.5mm**  
**1 DECIMAL PLACE ±0.25mm**  
**2 DECIMAL PLACES ±0.125mm**  
 ANGULAR TOLERANCE: ±1°

FINISH MINIATURE PROBE -  
 DEBURR AND BREAK SHARP EDGES -  
 IF IN DOUBT ASK  
 DO NOT SCALE DRAWING  
 MATERIAL SEE NOTE

DRAWN BY SPB  
 APPROVED BY WC  
 THIRD ANGLE PROJECTION  
 SHEET 1 OF 1  
 SCALE 1:1  
 A4

TITLE GENERAL SPECIFICATION FOR 575 SERIES  
 DRAWING NO. 575 SERIES  
 ISSUE 05  
 Release