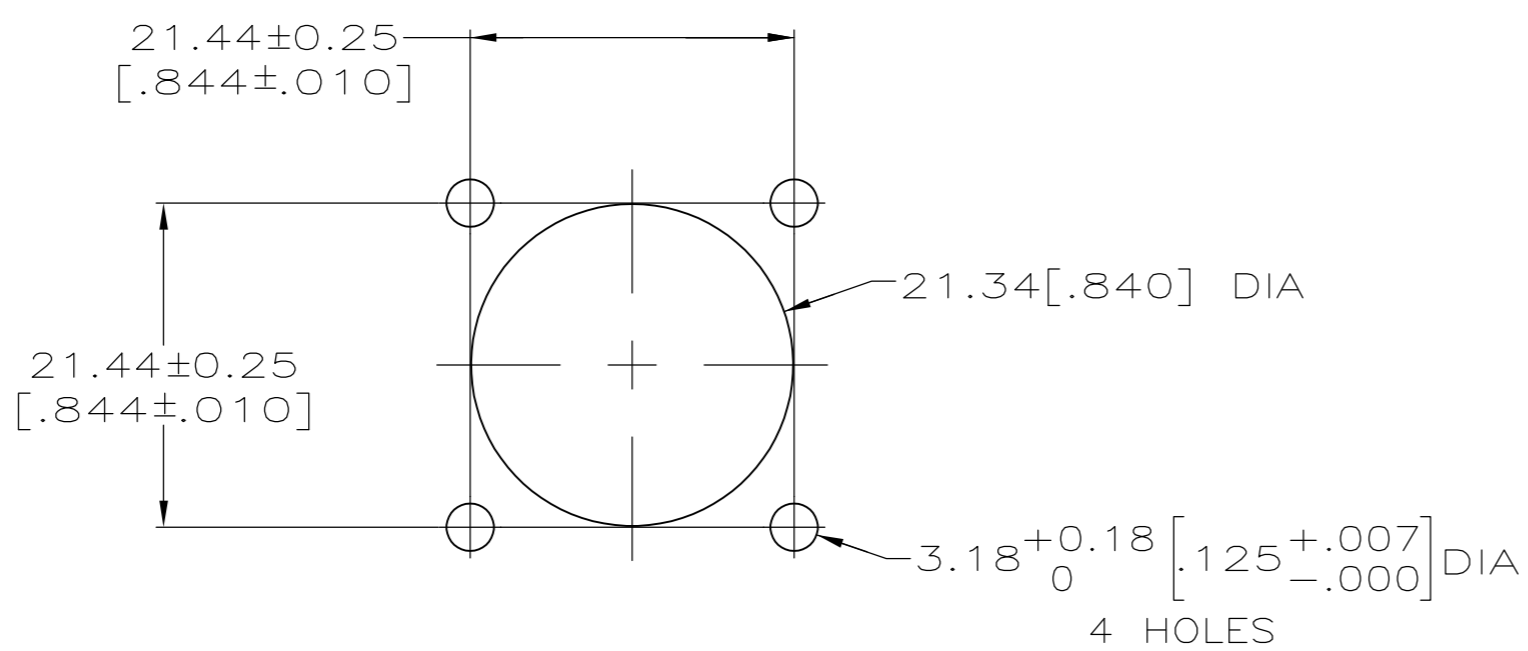
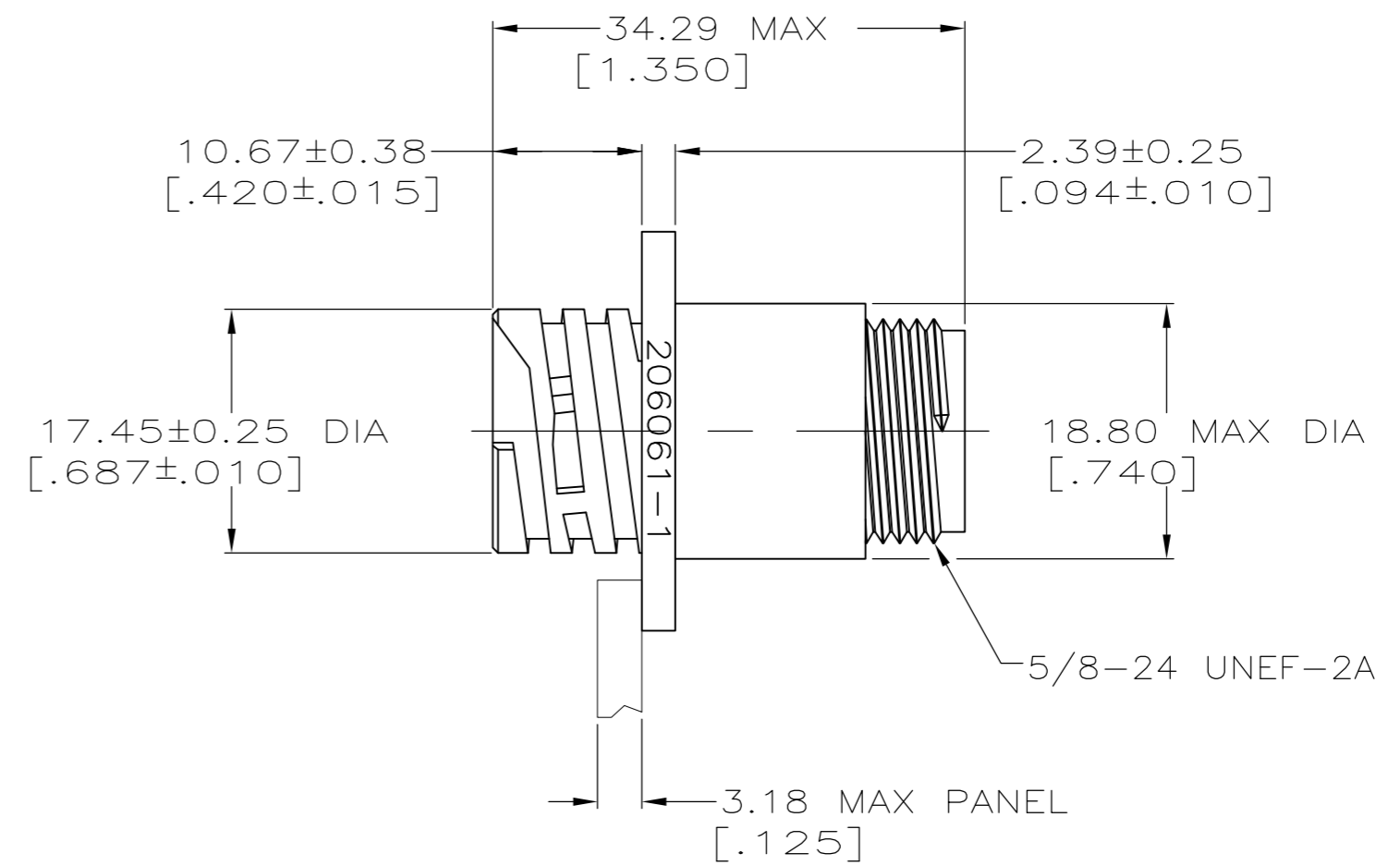
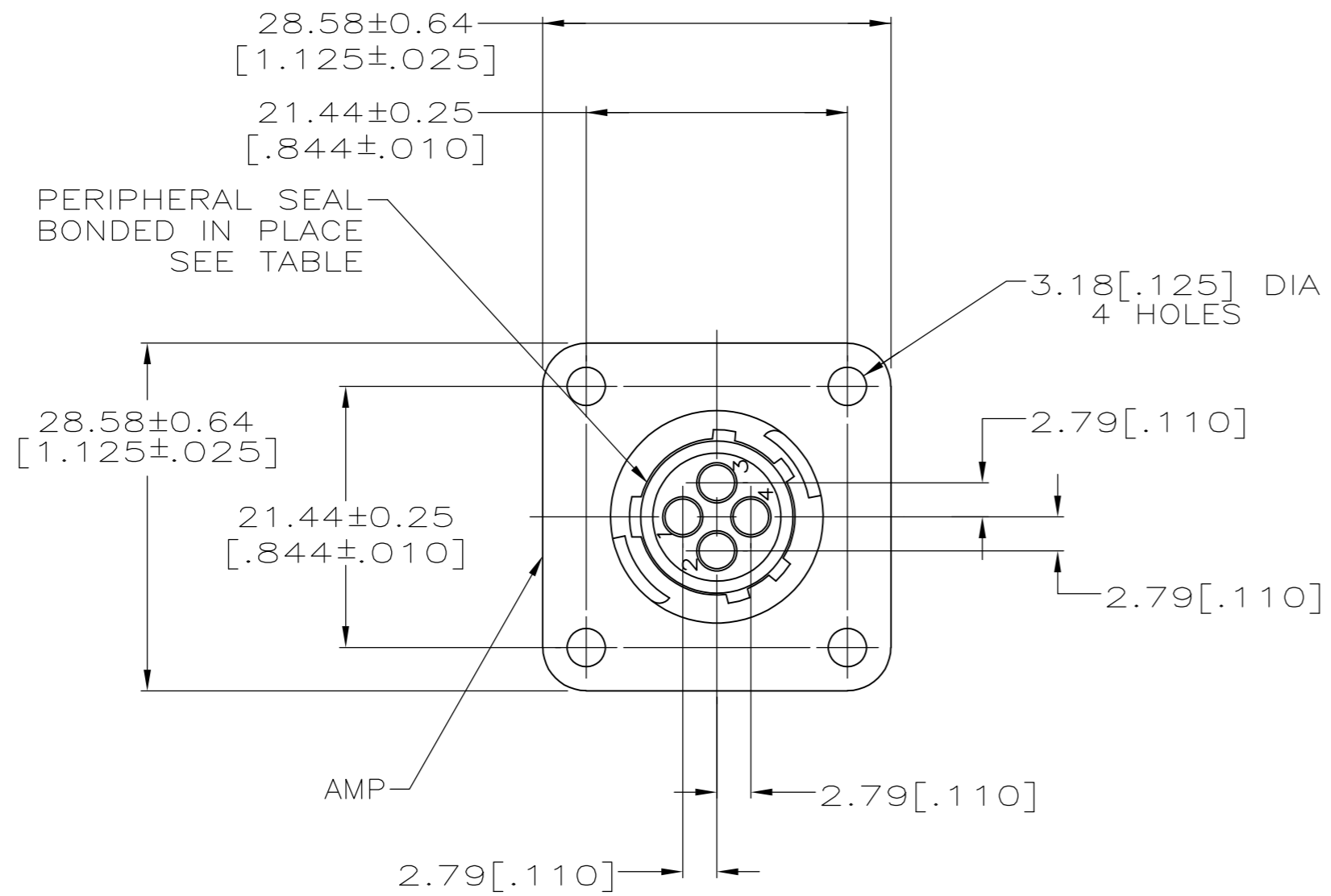
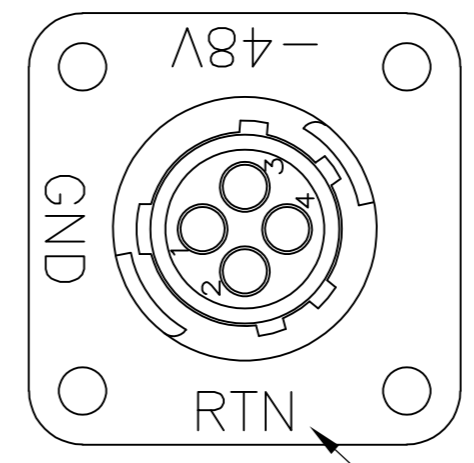


THIS DRAWING IS UNPUBLISHED. RELEASED FOR PUBLICATION
 © COPYRIGHT - By - ALL RIGHTS RESERVED.

| LOC | | DIST | | REVISIONS | | | |
|-----|-----|-------------|---------------------------|-----------|---------|------|-----|
| P | LTR | DESCRIPTION | | DATE | DWN | APVD | |
| FT | 0 | F1 | REVISED PER ECO-11-004587 | | 11MAR11 | RK | HMR |



RECOMMENDED PANEL CUTOUT



DETAIL A -5 ONLY
 RTN, GND AND -48V MARKED WITH WHITE INK, .118 MAX.

| | | | |
|----------|------------|-----------------|----------|
| DETAIL A | STANDARD | NO | 206061-5 |
| - | SMALL PACK | NO | 206061-3 |
| - | STANDARD | YES | 206061-2 |
| - | STANDARD | NO | 206061-1 |
| MARKING | PACKAGING | PERIPHERAL SEAL | PART NO. |

- NOTES:
1. CAVITY IDENTIFICATION ON FRONT AND REAR FACE.
 2. WILL ACCEPT FOUR (4) MULTIMATE PIN CONTACTS.

| | | | | |
|--|--------------|------------------|----------|--|
| THIS DRAWING IS A CONTROLLED DOCUMENT. | | DWN | 07/26/93 | TE TE Connectivity |
| DIMENSIONS: INCHES | | CHK | 08/11/93 | |
| TOLERANCES UNLESS OTHERWISE SPECIFIED: | | NAME | | RECEPTACLE HOUSING, STANDARD SEX, SHELL SIZE 11, CPC |
| 0 PLC ± - | | 108-10024 | | |
| 1 PLC ± - | | APPLICATION SPEC | | SIZE |
| 2 PLC ± 0.13 [.005] | | WEIGHT | | A2 |
| 3 PLC ± - | | SCALE | | 2:1 |
| 4 PLC ± - | | SHEET | | 1 OF 1 |
| ANGLES ± - | | REV | | F1 |
| FINISH | | CUSTOMER DRAWING | | |
| MATERIAL | NYLON, BLACK | CAGE CODE | | 00779 |
| | | DRAWING NO | | 206061 |
| | | RESTRICTED TO | | |